



**AMERICA'S LAWN VAC LEADER**



# AMERICA'S LAWNVAC LEADER

Originally founded in 1972, PECO has been a pioneer in the lawn care industry from our beginning. We are an independent, family-owned company driven to be the most recognized, innovative manufacturer of material collection systems and quality accessories for the outdoor power equipment industry. Our LawnVacs and other products are designed and built in America, to serve the needs of professional landscapers, institutions, and homeowners.

Our customers are at the center of everything we do. We design our products to be long lasting, easy to use, and to work like nothing else. Our products make your job easier.

PECO's experienced, knowledgeable staff is available to help our customers get the most out of our products. We maintain an extensive inventory of parts, ensuring you many years of use for your LawnVac or other accessory. We stand behind our products with a one year limited warranty.

Visit us at [www.LawnVac.com](http://www.LawnVac.com) to find information on our full product line, download manuals and parts breakdowns, locate a dealer, or ask a question 24/7.





PECO manufactures a range of collection systems to fit a variety of mowing platforms. Our Convertible and Estate Series trailers have solutions for garden tractors and compact tractors alike.

PECO's PRO Series line of attached collection systems for ZTR mowers is second to none in performance and technology. Our patented mid-mount PTO blower design is lighter and more efficient than competing deck-driven designs. Placing the blower in the middle of the flow allows the deck to discharge grass into the boot more naturally, reducing clogging and optimizing airflow at the discharge. The blower and deck engage separately for a more efficient energy transfer. This design also puts the weight of the heaviest component on the mower frame, not on the deck, improving quality of cut and eliminating extra strain on the deck belts. Our design makes switching between bagging and discharging incredibly simple—just pull one pin! Reattachment is also simple, no need for any tools. Many of the best known mower brands have selected PECO as their bagger of choice.

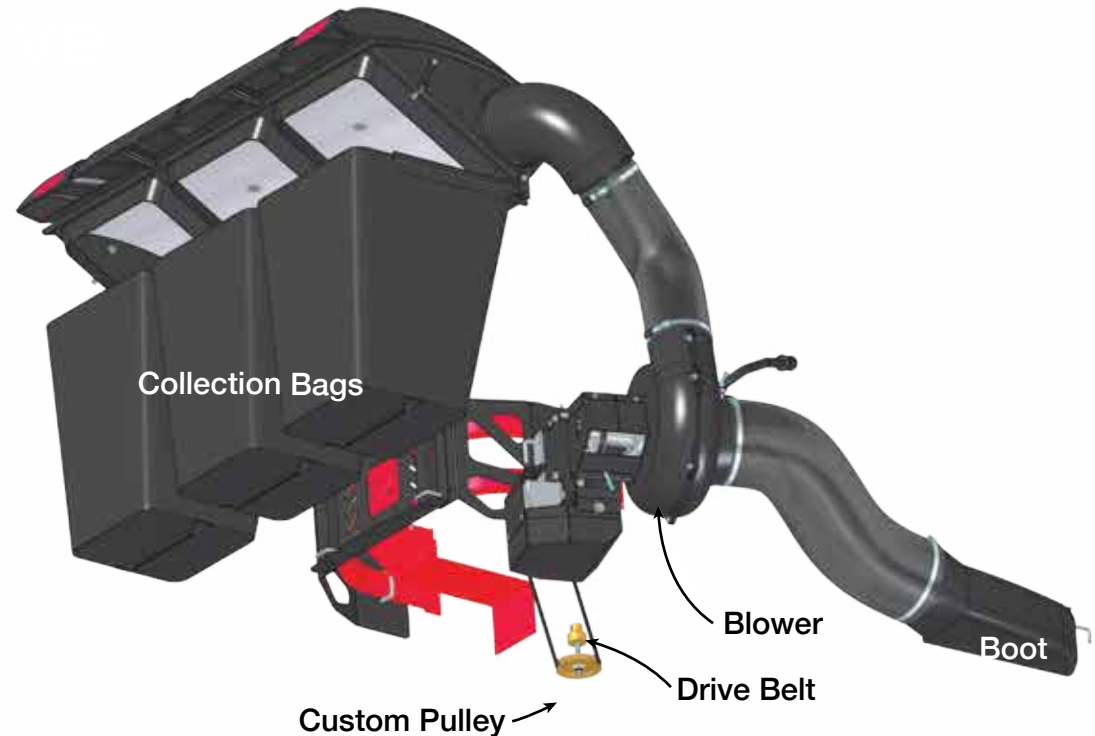
We are dedicated to constantly improving our products and serving our customers year after year. PECO is proud to be America's LawnVac Leader.





# INNOVATION

The PECO PTO drive is a unique way to power our LawnVacs. So unique, in fact, that it has been granted a US patent. Unlike other baggers whose blowers are mounted on the deck and driven off the deck spindle, our blowers take their power directly from the engine. This allows the blower to engage independently of the deck, which reduces start up strain on the engine and belts. Making debris clean up easier and faster. We now have three versions of our PTO Drive available to fit your needs.



## PTO MODELS

### PTO-X:

- Our Most Advanced Commercial PTO Drive
- Designed Life of 1,000 Hours
- Electric Clutch Engagement
- Aluminum Housing and Cone
- 4 Gauge 4-Blade Steel Impeller
- More VAC Power
- Self-Tensioning Belt
- Fewer Moving Parts
- 1 Year Commercial Warranty

### PTO-C:

- Designed for Commercial Use
- Manual Over-Center Engagement
- Aluminum Housing and Cone
- 4 Gauge 4-Blade Steel Impeller
- 1 Year Commercial Warranty

### PTO-R:

- Designed for Residential Use
- Manual Lever Engagement
- Polyethylene Housing and Cone
- 7 Gauge 3-Blade Steel Impeller
- Lightweight
- 1 Year Residential Warranty

# TRAIL-O-MATIC HITCH



**Unique PECO Technology for Trailers**  
The PECO Trail-o-Matic hitch keeps the engine position fixed relative to your tractor as the trailer pivots. This exclusive feature keeps a constant length of hose from the boot to the impeller, which means no stretching or binding of the hose for better airflow and longer hose life.

Some people claim that mulching is superior to bagging, but that is only true if the grass is mulched correctly. If your mower is leaving clumps on your yard, you should be bagging your grass clippings. Clumps of grass can damage your yard by killing the grass underneath and providing opportunities for diseases to take hold. This is a particular concern in the spring when the grass is very moist and growing rapidly.

You can preserve the nutrients for the lawn by composting the clippings and spreading the compost on the lawn later in the season. Combine the 'green' grass clippings with plenty of 'brown' material, such as dried leaves for the best results in the composting process.

Fall is the other time of the year when bagging is important to many people. Using your mower to collect your leaves reduces their volume by as much as 6 to 1. This means fewer bags to dispose of, or better yet, a great start for your mulch pile. You'll save hours of raking, have a great looking lawn, and by composting, you can help the environment, too!



Avoid This



Food for Your Composter



A Vacuumed Lawn is a Beautiful Lawn





# PRO2B<sup>+</sup>

## Model 1209

### Ultimate Lightweight Bagger



Mounted on Bad Boy Maverick

The **PRO2B+** is the perfect solution for smaller ZTR mowers. The Pro 2B+ features our PTO-R drive that easily deals with the heavy grass and wet leaves that plug up a weaker collection system. It's powerful, lightweight, and affordable; making it perfect for the homeowner.

Now available on select models: the commercial power of PTO-C or PTO-X.



3-Blade Steel Impeller & Cross Linked Polyethylene Blower Housing



Easy No Tool Removal (Once Installed)



Rugged Linear Low Density Polyethylene Top with 2 Bags

### Additional Features

- Comes Complete with Mounting Hardware and Any Necessary Weight Kit
- Lower Profile for Better Rear Visibility
- Adjustable Grass Dispersion Evenly Fills Bags
- Framed in Heavy-Duty Steel
- Quick and Easy to Install — No Tools Needed to Remove
- Polyethylene Filter Screen

### Fits

- Bad Boy
- Bob-Cat
- Bush Hog
- Country Clipper
- Cub Cadet
- Dixie Chopper
- Kioti
- Kubota
- Scag
- (Coming Soon)

### Drive Options

- PTO-R Drive\*
  - PTO-C Drive\*
  - PTO-X Drive\*
- \* Based on Mower Availability*

### Specifications

- Category: Residential
  - 9 Cubic Foot Capacity = 7.2 Bushel
  - Install Weight: 198 Pounds
  - Shipping Dimensions: 42" x 36" x 33"
  - Shipping Weight\*: 220 – 250 Pounds
- \* Varies by Model*



# PRO 3B

## Model 1315

Extreme Vacuum Power to Fill All 3 Bags



Mounted on Jacobsen ZT 400



Designed with the professional landscape contractor in mind, the **PRO3B** is a true commercial collection system. The tapered design of the bags makes them easy to remove and dump. The Pro 3B features a rugged design and our patented mid-mount blower system to provide the high volume collection capacity that today's commercial ZTR mowers demand.



4-Blade Steel Impeller and Cast Aluminum Housing

Rugged Linear Low Density Polyethylene Top with 3 Bags

Available with PTO or Engine Drive

### Additional Features

- Comes Complete with Mounting Hardware and Weight Kit
- Adjustable Grass Dispersion Evenly Fills All 3 Bags
- Lower Profile for Better Rear Visibility
- Framed in Heavy-Duty Steel
- Quick and Easy to Install – No Tools Needed to Remove
- Polyethylene Filter Screen

### Fits

- Bob-Cat
- Bush Hog
- Country Clipper
- Cub Cadet
- Dixie Chopper
- John Deere
- Kioti
- Kubota
- Scag
- (Coming Soon)

### Drive Options

- PTO-C Drive\*
- PTO-X Drive\*
- Briggs & Stratton 950 Series Gas Engine
- Briggs & Stratton 6.5hp Vanguard Engine
- \* Based on Mower Availability*
- PTO Drive on 3-Point Hitch Mower Coming in Spring 2020

### Specifications

- Category: Commercial
- 15 Cubic Foot Capacity = 12 Bushel
- Install Weight\*: 276 – 326 Pounds
- Shipping Dimensions: 70" x 40" x 43"
- Shipping Weight\*: 350 – 400 Pounds

*\* Varies by Model*



# PRO12<sup>DFS</sup>

Model 6212/6512/7212  
Ultimate Collection System



Mounted on Dixie Chopper Silver-Eagle



The **PRO12<sup>DFS</sup>** (Dump From Seat) is a mounted aluminum box designed for lightweight and obstruction free dumping from the operator's seat. The Pro 12<sup>DFS</sup> will increase your productivity, whatever your application. Featuring our patented mid-mounted blower, it has the power to handle today's high output commercial decks.



4-Blade Steel Impeller and Cast Aluminum Housing



Aluminum Box Dumps From Seat



PTO or Engine Drive

### Additional Features

- Comes Complete with Mounting Hardware and Weight Kit
- Framed in Heavy-Duty Steel
- Corrosion-Resistant Aluminum Container, Polyethylene Door, and Steel Door Frame
- Quick and Easy to Install — No Tools Needed to Remove
- Dust Diverter Available on Select Mowers

### Fits

- Bob-Cat
- Bush Hog
- Country Clipper
- Cub Cadet
- Dixie Chopper
- Exmark
- John Deere
- Kubota
- Scag
- Toro

### Drive Options

- PTO-C Drive\*
- PTO-X Drive\*
- Briggs & Stratton 950 Series Gas Engine
- Briggs & Stratton 6.5hp Vanguard Gas Engine

*\* Based on Mower Availability*

### Specifications

- Category: Commercial
- 12 Cubic Foot Capacity = 9.6 Bushel
- Install Weight\*: 314 – 394 Pounds
- Shipping Dimensions: 62" x 45" x 43"
- Shipping Weight\*: 400 – 480 Pounds

*\* Varies by Model*



# PRO22 DFS

Model 7522  
Fits 3-Point Hitches



Mounted on Kubota BX2370



The **PRO22<sup>DFS</sup>** is a unique solution for compact tractors. It is a fully mounted universal collection system that is great for any 2 or 4-wheel drive utility tractor with a category 1 three-point hitch. The aluminum box and cast aluminum components are lightweight and durable. Its huge 22 cubic foot capacity fits decks up to 72". Powered by a gas or optional diesel engine, this is the perfect complement to your tractor.



5-Blade Impeller and Large Aluminum Housing



Huge 22 Cubic Foot Capacity Box Dumps From Seat



Fits Any Category 1 Three-Point Hitch

### Additional Features

- Heavy-Duty Cast Aluminum Blower Housing
- Universal Boot Kit
- Framed in Heavy-Duty Steel
- Corrosion-Resistant Aluminum Container with a Steel Door Frame
- Quick and Easy to Install

### Fits

- Any Compact Tractor or Sub-Compact Tractor with Category 1 Three-Point Hitch

### Drive Options

- PTO Drive
- Briggs & Stratton 10hp Vanguard Electric Start Gas Engine
- Yanmar 7hp Electric Start Diesel Engine

### Specifications

- Category: Commercial
- 22 Cubic Foot Capacity = 17.6 Bushel
- Install Weight\*: 326 – 396 Pounds
- Shipping Dimensions: 74" x 49" x 54"
- Shipping Weight\*: 450 – 520 Pounds

\* *Varies by Model*



# PRO24<sup>DFS</sup>

**Model 7424**  
Massive Capacity for Out-Front Mowers



Mounted on John Deere 1570 Terrain Cut



Turn to the **PRO24<sup>DFS</sup>** to match the function and utility of your out-front mower. The huge 24-cubic foot vacuum system is fully mounted, adding less than a foot to the mower's total tail swing. Its exclusive slide frame assembly allows the entire collection box to slide to the rear, allowing full service access on the tractor. All controls are easily reached from the operator's seat, including dumping and throttle control.



Huge 24 Cubic Foot Box  
Dumps From Seat



Access Engine  
Compartment to Mower



Diesel Option Available

### Additional Features

- Heavy-Duty 5-Blade Steel Impeller
- Heavy-Duty Cast Aluminum Blower Housing
- Universal Boot Kit
- Framed in Heavy-Duty Steel
- Corrosion-Resistant Aluminum Container with a Steel Door Frame

### Fits

- John Deere 1400 Series II
- John Deere 1550, 1570, & 1580 Terrain Cut \*

\* Not Designed for 1575 & 1585 Cab Models

### Drive Options

- Briggs & Stratton 10hp Vanguard Electric Start Gas Engine
- Yanmar 7hp Electric Start Diesel Engine

### Specifications

- Category: Commercial
- 24 Cubic Foot Capacity = 19.2 Bushel
- Install Weight\*: 400 – 480 Pounds
- Shipping Dimensions: 87" x 58" x 74"
- Shipping Weight\*: 560 – 640 Pounds

\* Varies by Model



**20** CUBIC FOOT  
**CONVERTIBLE**  
TRAILER VAC

**30** CUBIC FOOT  
**CONVERTIBLE**  
TRAILER VAC



**X20 - Model 4920**  
**X30 - Model 6930/7930**  
Converts from Vac to Dump Cart



Fits Most Garden Tractors or Zero Turn Mowers



The PECO **CONVERTIBLE X20 & X30** are rugged, lightweight vacuum systems that fit most lawn tractors or zero-turn mowers. Either is the perfect solution for residential or light commercial use. Their tapered beds allow easy dumping and both quickly convert to dump carts for year-round versatility. Both are built for years of reliable clean ups.



4-Blade Steel Impeller and Cast Aluminum Housing



Converts to a Dump Cart in Minutes



Easy Dump

### Additional Features

- Trail-o-Matic™ Hitch Keeps Hose in Place
- Universal Boot Will Fit Virtually Any Mower Deck
- Heavy-Duty 18-Gauge Steel Utility Dump Trailer for Extreme Durability
- Tapered Bed Tilts 45° for Complete Debris Removal When Dumped
- Trailer Top Can be Removed Without Tools to Convert to a Dump Cart
- Exclusive Trail-o-Matic™ Connects from Tractor to Pivot Mounted Vac Engine

### Drive Options

X20 Convertible:

- Briggs & Stratton 950 Series Gas Engine

X30 Convertible:

- Briggs & Stratton 950 Series Gas Engine
- Briggs & Stratton 6.5hp Vanguard Gas Engine

### Specifications

X20 Convertible:

- Category: Residential
- 20 Cubic Foot Capacity = 16 Bushel
- Install Weight\*: 216 – 236 Pounds
- Shipping Dimensions: 72" x 45" x 49"
- Shipping Weight\*: 350 – 425 Pounds

X30 Convertible:

- Category: Residential
- 30 Cubic Foot Capacity = 24 Bushel
- Install Weight\*: 246 – 276 Pounds
- Shipping Dimensions: 72" x 45" x 49"
- Shipping Weight\*: 375 – 365 Pounds

\* *Varies by Model*



**ES36** CUBIC FOOT

**ESTATE  
SERIES**

**ES50** CUBIC FOOT

**ESTATE  
SERIES**

**ES36 Estate Series - Model 6936/7936**

**ES50 Estate Series - Model 7950**

**Commercial Power for Estate and Institutional Use**





Even with their huge capacity, the **36 & 50 ESTATE SERIES** have the convenience of a compact trailer system. Both commercial grade models are equipped with the Trail-o-Matic hitch, which eliminates stretching or dragging the hose. These models are designed to fit most garden and compact tractors with mower decks up to 72". The tapered aluminum box provides easy dumping with a quick lever pull.



Easy Dump Action



Heavy-Duty Polyethylene Universal Boot



4-Blade Impeller on ES36 &amp; 5-Blade Impeller on ES50

### Additional Features

- Heavy-Duty Cast Aluminum Blower Housing
- Trail-o-Matic™ Hitch Keeps Hose in Place
- Framed in Heavy-Duty Steel
- Corrosion-Resistant Tapered Aluminum Box Provides Easy Dumping with a Quick Pull of the Lever
- Designed to Fit Most Garden and Compact Tractors with Decks up to 72"
- Commercial Grade Durability

### Drive Options

#### ES36 Estate Series:

- Briggs & Stratton 950 Series Gas Engine
- Briggs & Stratton 6.5hp Vanguard Gas Engine

#### ES50 Estate Series:

- Briggs & Stratton 10hp Vanguard Electric Start Gas Engine
- Yanmar 7hp Electric Start Diesel Engine

### Specifications

#### ES36 Estate Series:

- Category: Commercial
- 36 Cubic Foot Capacity = 28.8 Bushel
- Install Weight\*: 349 – 379 Pounds
- Shipping Dimensions: 74" x 51" x 65"
- Shipping Weight\*: 480 – 510 Pounds

#### ES50 Estate Series:

- Category: Commercial
- 50 Cubic Foot Capacity = 40 Bushel
- Install Weight\*: 489 – 569 Pounds
- Shipping Dimensions: 87" x 58" x 69"
- Shipping Weight\*: 650 – 730 Pounds

\* *Varies by Model*



**ES36<sup>P</sup>** CUBIC FOOT **ESTATE SERIES**

**ES50<sup>P</sup>** CUBIC FOOT **ESTATE SERIES**

**ES36<sup>P</sup> Estate Series - Model 7036**

**ES50<sup>P</sup> Estate Series - Model 8050**

**Make Short Work of Cleaning Stalls and Pastures**





The time saving **36<sup>P</sup> & 50<sup>P</sup> ESTATE SERIES** trailers easily lift dried manure, used bedding, and fiber left from grooming, then grind it to a fine mulch for garden use or easy disposal. The large aluminum containers will not rust and are balanced and tapered to empty easily with a single pull of a convenient lever. Both come complete with 18' flex-hose and wand handle.



18' Wand Kit Included



Extra Length Tongue Extender Available for ATV Use



4-Blade Impeller on ES36<sup>P</sup> & 5-Blade Impeller on ES50<sup>P</sup>

### Additional Features

- Heavy-Duty Cast Aluminum Blower Housing
- Framed in Heavy-Duty Steel
- Corrosion-Resistant Tapered Aluminum Box Provides Easy Dumping with a Quick Pull of the Lever
- Can be Towed Behind Most ATV/UTV
- Commercial Grade Durability

### Drive Options

#### ES36<sup>P</sup> Estate Series:

- Briggs & Stratton 950 Series Gas Engine
- Briggs & Stratton 6.5hp Vanguard Gas Engine

#### ES50<sup>P</sup> Estate Series:

- Briggs & Stratton 10hp Vanguard Electric Start Gas Engine
- Yanmar 7hp Electric Start Diesel Engine

### Specifications

#### ES36<sup>P</sup> Estate Series:

- Category: Commercial
- 36 Cubic Foot Capacity = 28.8 Bushel
- Install Weight\*: 519 – 549 Pounds
- Shipping Dimensions: 74" x 51" 65"
- Shipping Weight\*: 650 – 680 Pounds

#### ES50<sup>P</sup> Estate Series:

- Category: Commercial
- 50 Cubic Foot Capacity = 40 Bushel
- Install Weight\*: 519 – 599 Pounds
- Shipping Dimensions: 87" x 58" 69"
- Shipping Weight\*: 680 – 760 Pounds

\* Varies by Model



# WAND KIT

- Model A1858 – For Small Blower Housings**
- Model A1861 – For Large Blower Housings**
- Model A2228 – High Capacity for Large Blower Housings**

Convert any PECO mower vacuum into the ultimate clean up tool. Its 18' of flexible hose and ergonomic handle allows you to get into hard-to-reach spots with ease. The wand kit is a great tool for anywhere your mower can't reach, such as planters, flower beds and ditches.



## Works With

Small Blower Housings:

- Pro 2B+ • Pro 3B • Pro 12<sup>DFS</sup>
- Convertible X20 & X30
- ES36 Estate Series
- ES36<sup>P</sup> Estate Series

Large Blower Housing & High Capacity:

- Pro 22<sup>DFS</sup> • Pro 24<sup>DFS</sup>
- ES50 Estate Series
- ES50<sup>P</sup> Estate Series

## Features

- Lightweight and Easy to Maneuver
- Great for Cleaning Planting Beds and Difficult to Reach Areas
- Kit Includes a Wand Nozzle, Lightweight 18' Super Flex Hose, Hose Clamps, and Cone
- Easy to Attach



# TRUCK LOADER

## Model TL-10 Power With Your Pick-Up

With PECO power in a compact size, the Truck Loader turns your pickup truck into a powerful debris collection system. It mounts to a standard, 2" trailer hitch and uses PECO's proven impeller and blower housing connected to 25' of tough flexible polyurethane hose with an oversized nozzle and ergonomic handle. You provide the container, PECO does the rest.



### Features

- Heavy-Duty Cast Aluminum Blower Housing
- 25' Length Hose, 8" Diameter and 7" Diameter Upper Hose
- Standard Wand Kit Hose Handle
- Heavy-Duty 5-Blade Steel Impeller
- Will Work With Any Standard 2" Receiver Hitch

### Drive Options

- Briggs & Stratton 10hp Vanguard Electric Start Gas Engine





# Z-TRIMMER

## Model ZT-3000 Trim While You Mow



Easy to install and simple to use. The lightweight Z-Trimmer is easily mounted to virtually any fabricated mower deck and runs off the mower's battery. Obstacles are not a problem as the Z-Trimmer is spring-loaded to swing away from any obstruction. It's a great tool to speed up regular maintenance of your yard or fence lines.

### Features

- Operating Range of 10-30 Amps
- Easily Folds for Transport Locks into Place to Prevent Movement While Not in Use
- Shaft Debris Shield
- Cast Aluminum Fixed Head
- Resettable Circuit Breaker
- 140° Range of Head Movement for Trimming or Edging
- Mounts Directly to Most Decks by Drilling Two Holes
- 20" Reach From the Edge of the Mower Deck
- 4600rpm 12V DC Motor with Sealed End Cap
- Improved Wiring Harness
- Quick & Easy Assembly
- Recommended for Mowers with 48" Decks or Larger & Having 20" of Clearance From Edge of Deck to Mower Frame
- Comes Bolt-On Ready to Install and with 48 Pieces of Replacement Trimmer Line
- 1 Year Residential Warranty

### Requirements

- Mower Must Have a Minimum 15 Amp Charging System to Power the Z-Trimmer
- Designed for Use on Regularly Maintained Areas
- Recommended Run Time: Approximately 20 Minutes Per Hour of Mowing

Bracket Shown is for Display Purposes Only. Not Suitable for Field Use.

# POWER SPRAYER



Heavy-Duty Model



No need for pumping with the Original Power Sprayer. It's completely self-contained, and rolls easily over lawns and gardens. The wand is always right at hand for a powerful, long-lasting, and adjustable spray. The spray nozzle adjusts from a fine mist to a 40' stream. Can spray up to 6 hours on a full charge, and the wide-mouthed container can hold up to five gallons. Our heavy duty version offers Viton seals and a polyethylene handle for corrosion-resistant performance.

## Features

- Eliminates Hand Pumping or Lugging a Heavy Tank on Your Back
- Self-Contained 12V Electric Sprayer
- 14" Wheels
- Lightweight Aluminum Cart
- Electric 40 PSI Pump Runs up to 6 Hours
- Heavy-Duty Gel Cell Rechargeable Battery
- Auto Shut-Off When 40 PSI is Achieved to Save Battery
- Wide Mouth 5-Gallon Container
- Spray Adjusts from a Fine Mist to a 40' Solid Stream
- 18" Brass Extension Wand
- 8' Hose with a Quick-Release Hose Hanger
- Extra Tank, Battery and 100' Hose Are Also Available
- Heavy-Duty Model has Upgraded Viton Pump Gaskets and Poly Spray-Wand



# PTO GENERATOR

Power Anywhere



**PTOG-0010**  
10kw



**PTOG-0016**  
16kw



**PTOG-0022**  
22kw

Use your tractor to provide the power you need, when you need it! Eliminate the extra costs of owning and maintaining a separate engine for your generator. PECO's PTO Generator is powered by your tractor's 540 rpm PTO. The high-quality, Italian-made alternator is practically maintenance free and provides clean, low distortion power. Automatic voltage regulation is standard on the 10kw and 16kw models. Fits any Category 1 or 2 three-point hitch. Whenever and wherever you need power, hook up your tractor and plug in!

## Features

- 100% Copper Windings
- High Power Quality, Low Distortion (THD)
- Automatic Voltage Regulation Standard on 10kw & 16kw Models (Clean Power)
- Lifetime Pre-Sealed Maintenance Free Bearings
- All Units Rated for Continuous Output
- Exclusive 3 Bar LED Meter
- Individually Protected Circuits
- Standard Duplex and Welder Receptacles
- Equipped with "Full Load" Outlet
- Limited Two Year Warranty
- Cast Iron Gearbox
- Fits Category 1 or 2, Three-Point Hitch





# SUN SHADE



New from PECO! Universal Sun Shade!! Our easy to install sun shade mounts to most ROPS tube systems, protecting the rider from the heat, glare of the sun and rain. The UV Stable Plastic retains its shape and color. It's lightweight and installs in 15 minutes, with just a wrench. It is easily removable for folding ROPS or travel between jobs.

## Features

- Made from UV Stable Plastic
- Fits Mower's ROPS Tube Systems:
  - 2" x 2"
  - 3" x 1.5"
  - 3" x 1.75"
  - 3" x 2"
- Also Available for Round ROPS Systems
- Measures 36" x 41" x 4"
- 30° Range of Motion
- Fully Adjustable to Level Position on Forward or Rear Leaning ROPS
- Ships via UPS

# PECO PARTS



Upgrade Kit: Converts 2-Blade System to 3-Blade System A1843



Small Blower Housing PTO Systems E4004A



Large Blower Housing E5007A



Small Blower Housing E4052A



Hose Clamps 6" - 9"



Small Universal Boot Kit A0121



Large Universal Boot Kit A0137



6" F0060 7" F0070 8" F0080 9" F0090



Blower Cones 6" - 9"



2-Blade Impeller Engines with 3/4" Shafts A0124



3-Blade Impeller A1839



4-Blade Impeller A0645



5-Blade Impeller A0644

PECO baggers are designed to last, with many customers getting a decade or more of use from their units. To support the continued use of our product, PECO maintains an extensive inventory of replacement parts. Our experienced staff can assist you with parts look-up.



Briggs & Stratton 950 Series Gas Engine with Blower & Blade A602



Briggs & Stratton 6.5hp Vanguard Gas Engine with Blower & Blade A639



Briggs & Stratton 10hp Vanguard Electric Start Gas Engine with Blower & Blade A615



Yanmar 7hp Electric Start Diesel Engine with Blower & Blade A620



Tapered Bushing Kits



Fabric Collection Bags with Hard Plastic Bottom



Universal Weight Kit

## Estate Series Accessories



Jack Stand



Jack Stand With Wheel



Battery & Battery Box



# BRUSH BLAZER<sup>®</sup>

## Model TBB-3002-G5

Designed to be the most capable walk-behind brush cutter on the market. Brush Blazer by PECO is the tool you shouldn't be without. Get the Job Done—easily cuts through brush and saplings up to 6" in diameter!

### Features

- Gas Engine with Electric Start
- Heavy-Duty Canister Air Cleaner
- 5 Gallon Fuel Capacity
- Digital Hour & Battery Meter
- Independent Pumps & Wheel Motors
- Hydro-Gear 10cc Pumps
- Zero-Turn Radius Type Steering
- 48" Cutting Width & 4" Cutting Height
- Manual Clutch Type Deck Engagement
- Easily Cuts Grass, Weeds, Brush, and Up to 6" Caliper Trees
- 7" Diameter Aluminum Spindle Housing
- 1 $\frac{3}{8}$ " Heavy-Duty Spindle Shaft
- Infinitely Variable Ground Speed up to 5mph
- High-Speed Steel Flail Blades
- Cast Iron Pulleys
- Reinforced 7-Gauge Steel Deck & Chassis
- 1,250lbs Total Weight with Track Ground Pressure of 3 PSI
- Height: 45" – Width: 58 $\frac{1}{4}$ " – Length: 91 $\frac{1}{2}$ "
- 1 Year Limited Warranty



Massive Cutting Blades



Easy to Use Controls



Brush Blazer in Action

# Blaze Your Own Path

## Drive Option

- Briggs & Stratton 36hp Vanguard Gas Engine





**AMERICA'S LAWN VAC LEADER**

10 Walden Drive, Arden, North Carolina 28704  
(800) 438-5823 • [www.lawnvac.com](http://www.lawnvac.com) • [sales@lawnvac.com](mailto:sales@lawnvac.com)