



Unit Model #: 49131505 (629J1-001A)

Mower: Country Clipper

Owner's Manual: Q0522

Mower Type: Challenger

Deck Size: 52" & 60"

Vac Type: P3B

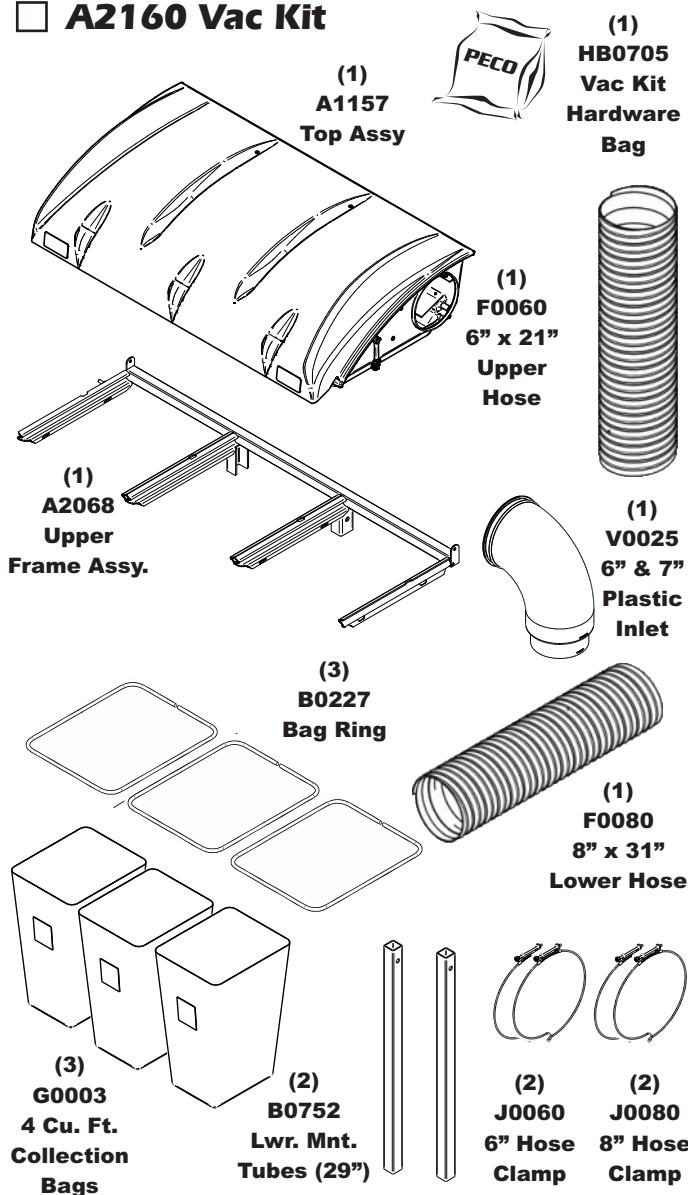
Deck Type:

Drive Type: PTO-C

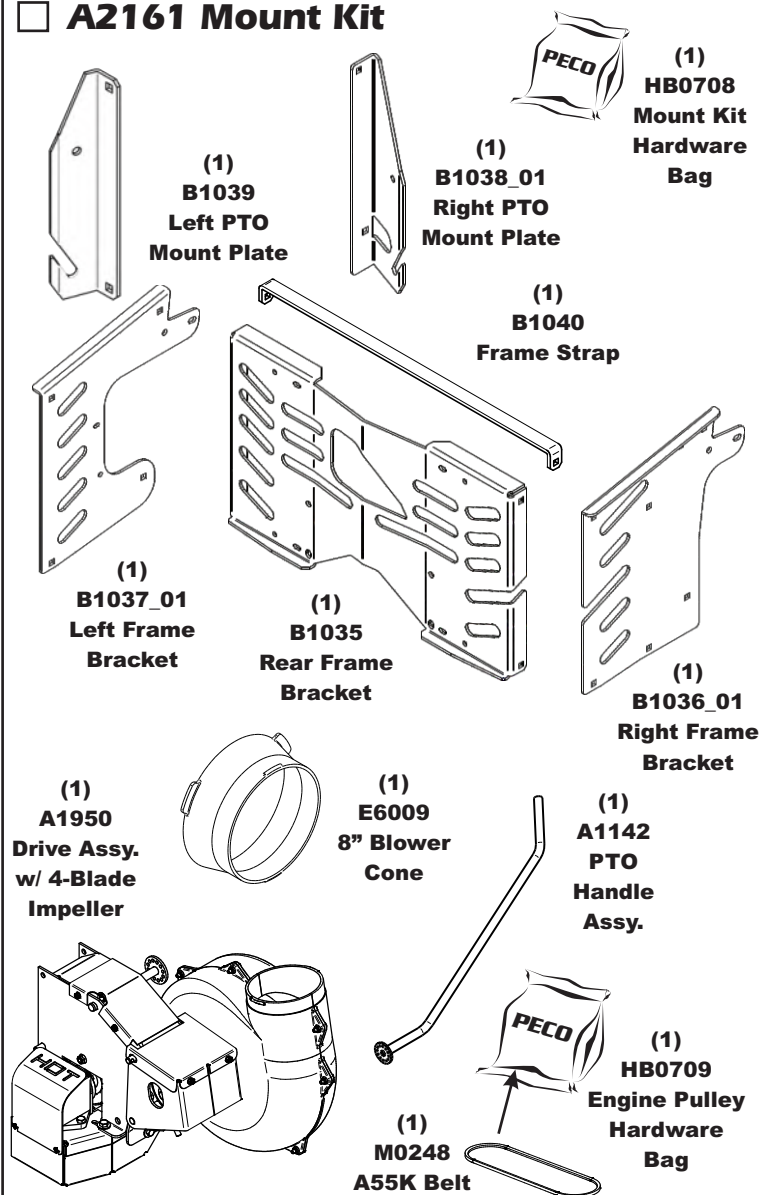
Revision #: 2 - Updated Weight Kit (BS Sept 2025)

Fits Year(s): 2018-Newer

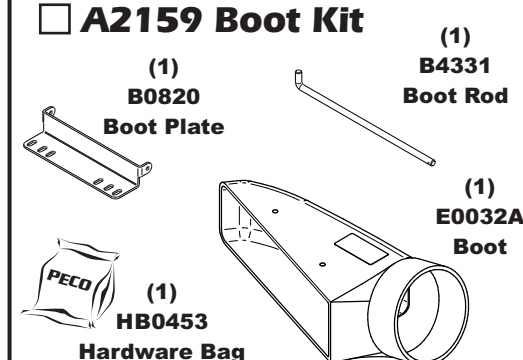
A2160 Vac Kit



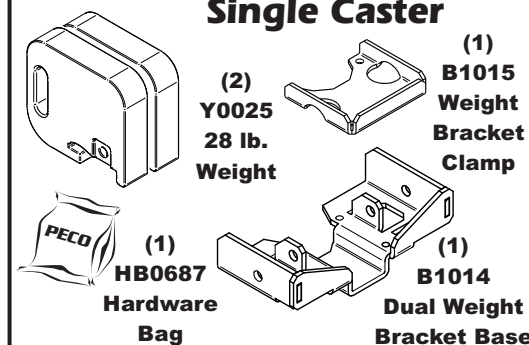
A2161 Mount Kit



A2159 Boot Kit



A2121 Dual Weight Kit / Single Caster



A2162 Quad Weight Kit / Single Caster

