



# Unit Model #: 49131506 (629JJ-001A)

Mower: Country Clipper

Owner's Manual: Q0530

Mower Type: Boss XL

Deck Size: 60"

Vac Type: P3B

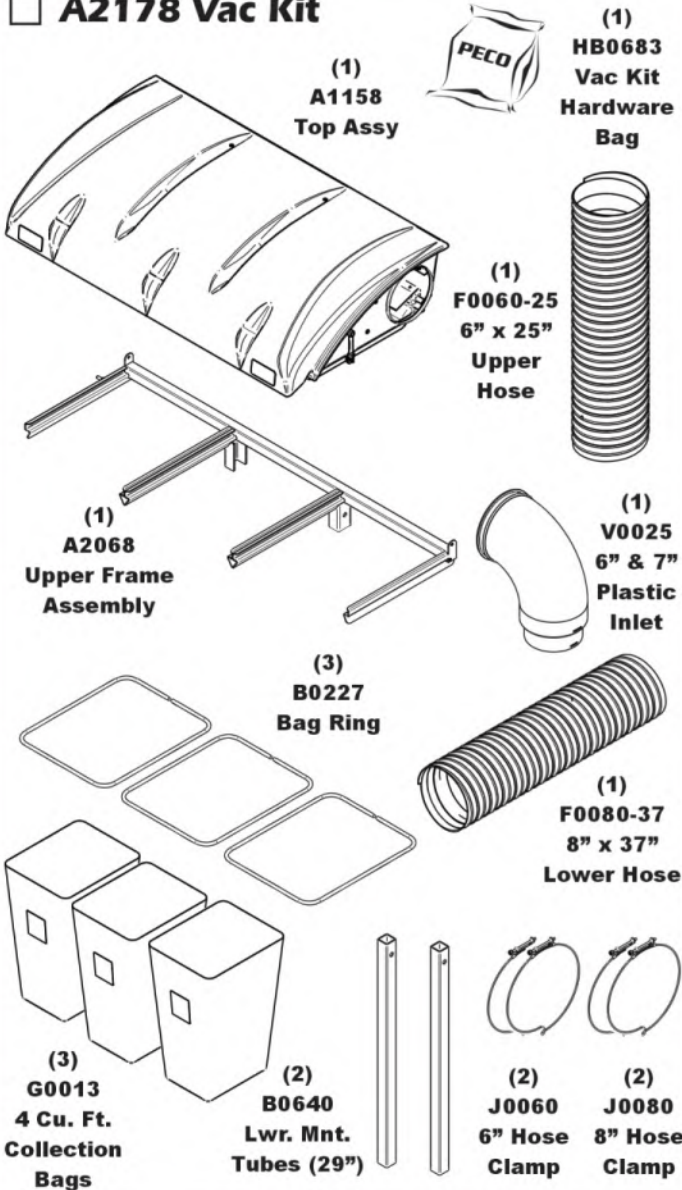
Deck Type:

Drive Type: PTO-X

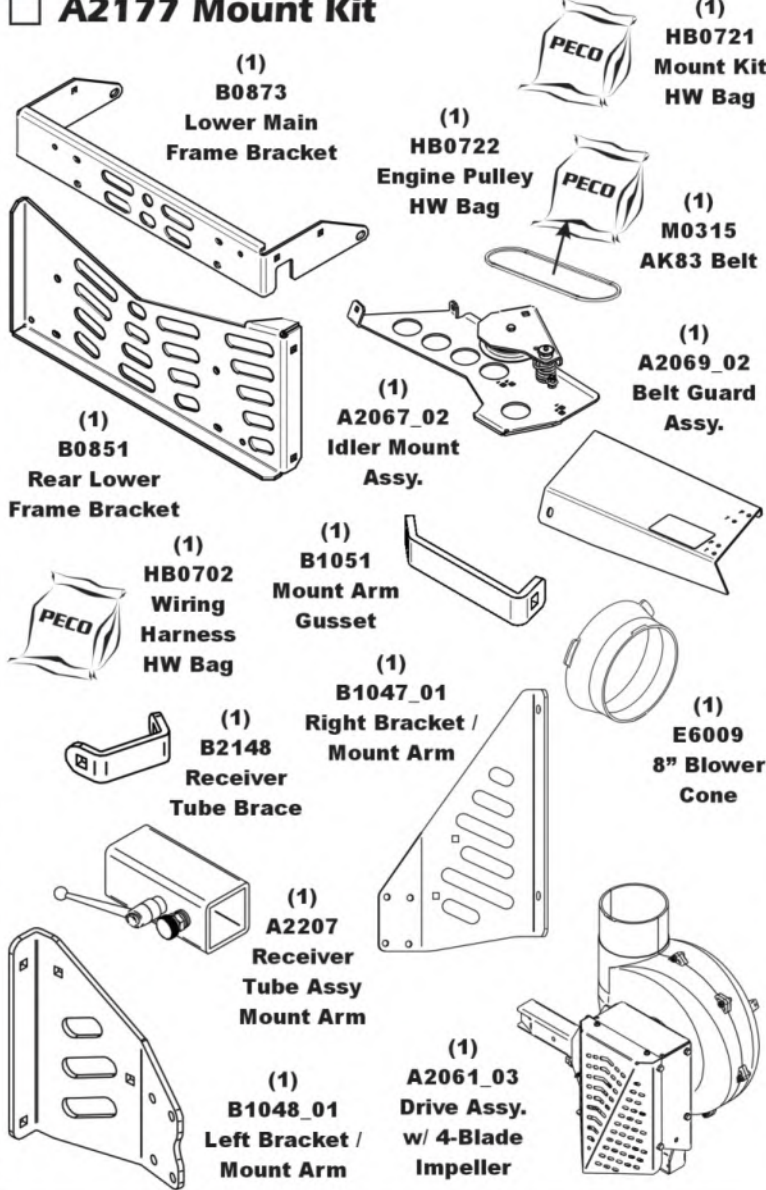
Revision #: 5 - PTO-X 1.5 - BS - 7/24/24

Fits Year(s): 2018-2020

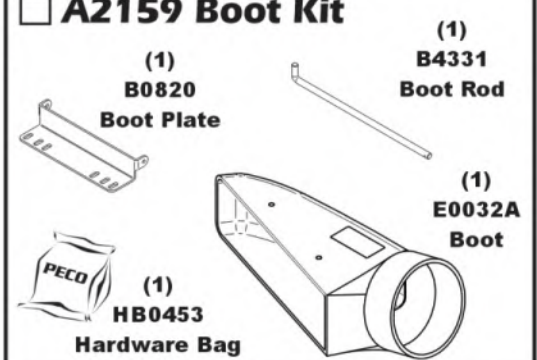
## ☐ A2178 Vac Kit



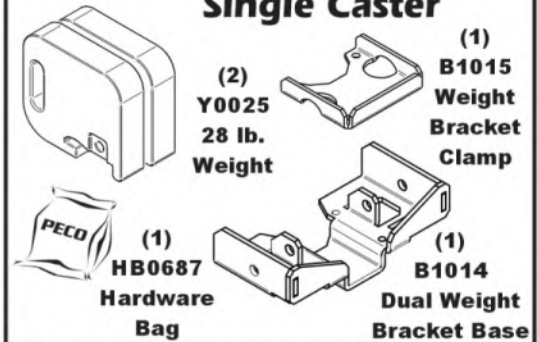
## ☐ A2177 Mount Kit



## ☐ A2159 Boot Kit



## ☐ A2121 Dual Weight Kit / Single Caster



## ☐ A2162 Quad Weight Kit / Single Caster

