



**Unit Model #: 38131511**

**Mower:** Dixie Chopper Eagle HP / Jacobsen ZT1000

**Owner's Manual:** Q0587

**Mower Type:**

**Deck Size:** 72"

**Vac Type:** (15 Cu-Ft) Pro 3B

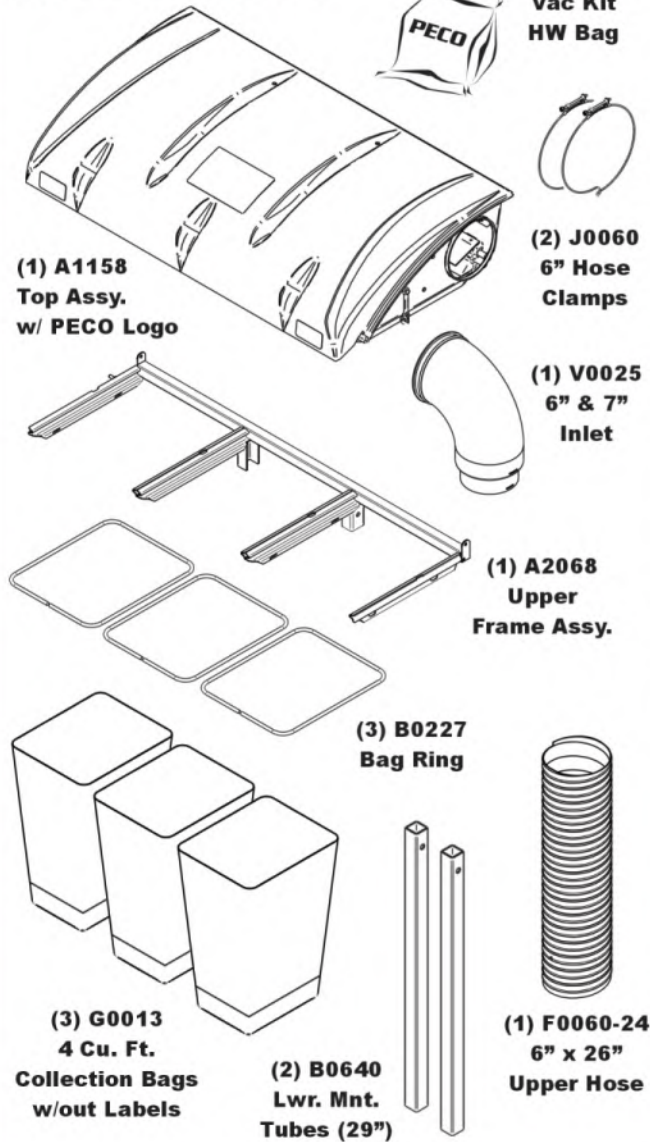
**Deck Type:**

**Drive Type:** PTO-X Drive

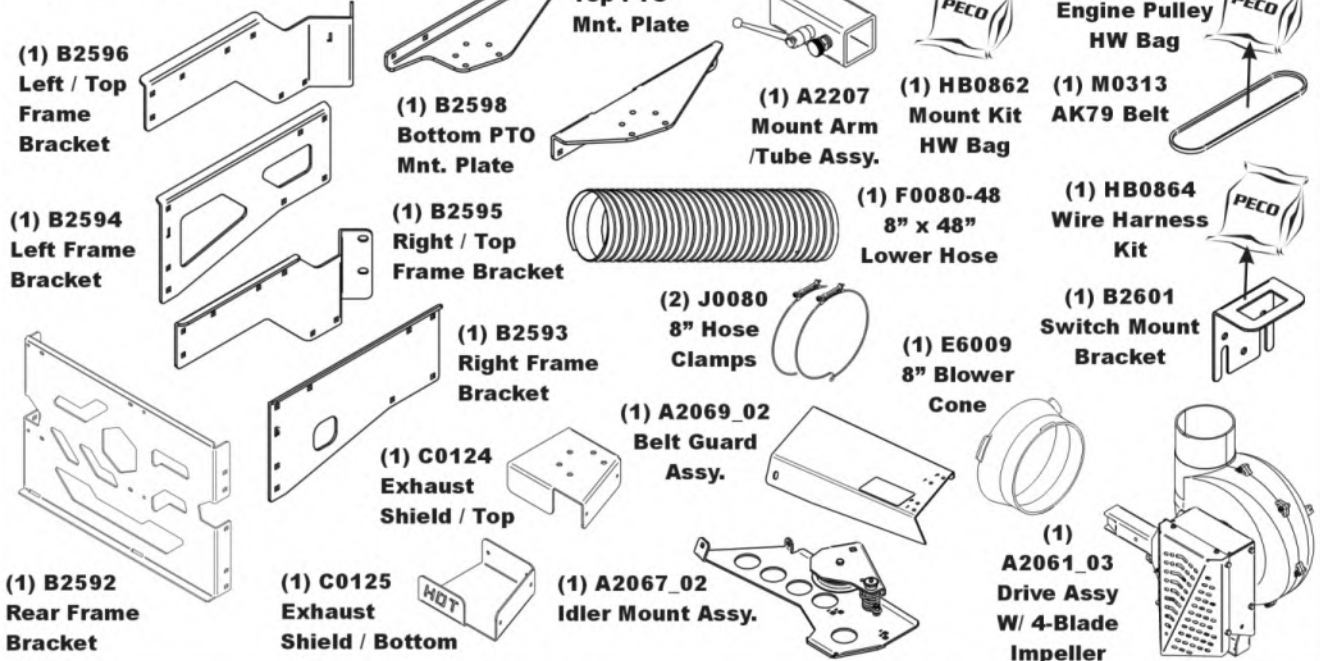
**Revision #:** 1 - PTOX 1.5 - BS 7/18/24

**Fits Year(s):** 2021 - Newer

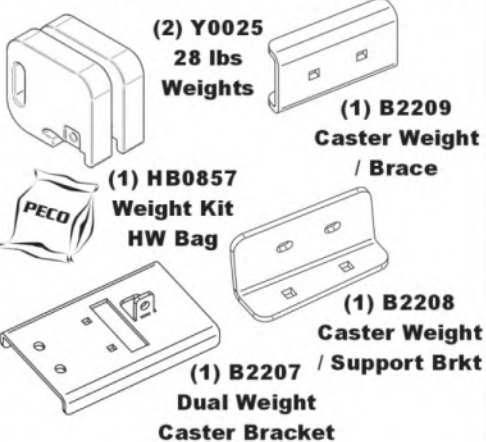
**A2394 Vac Kit**



**A2393 Mount Kit**



**A2375 Dual Weight Kit**



**A2376 Quad Weight Kit**



**A2130 Boot Kit**

