



Unit Model #: 49651201

Mower: Country Clipper

Owner's Manual: Q0532

Mower Type: Boss XL

Deck Size: 60"

Vac Type: Pro12

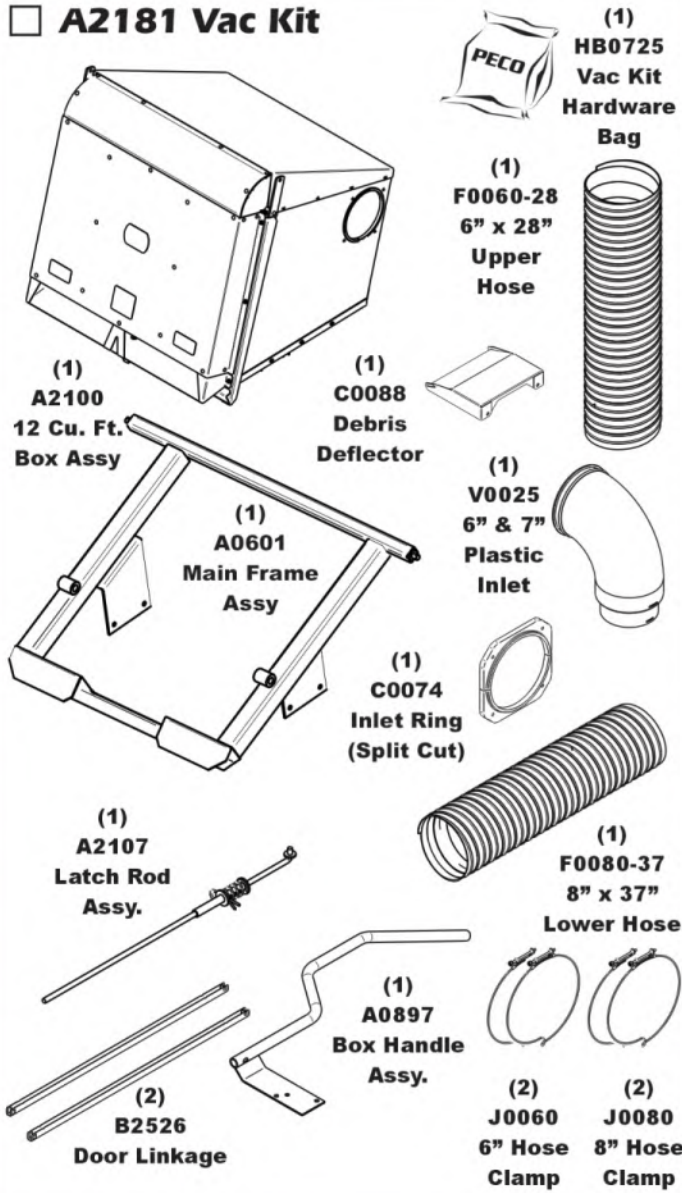
Deck Type:

Drive Type: PTO-X

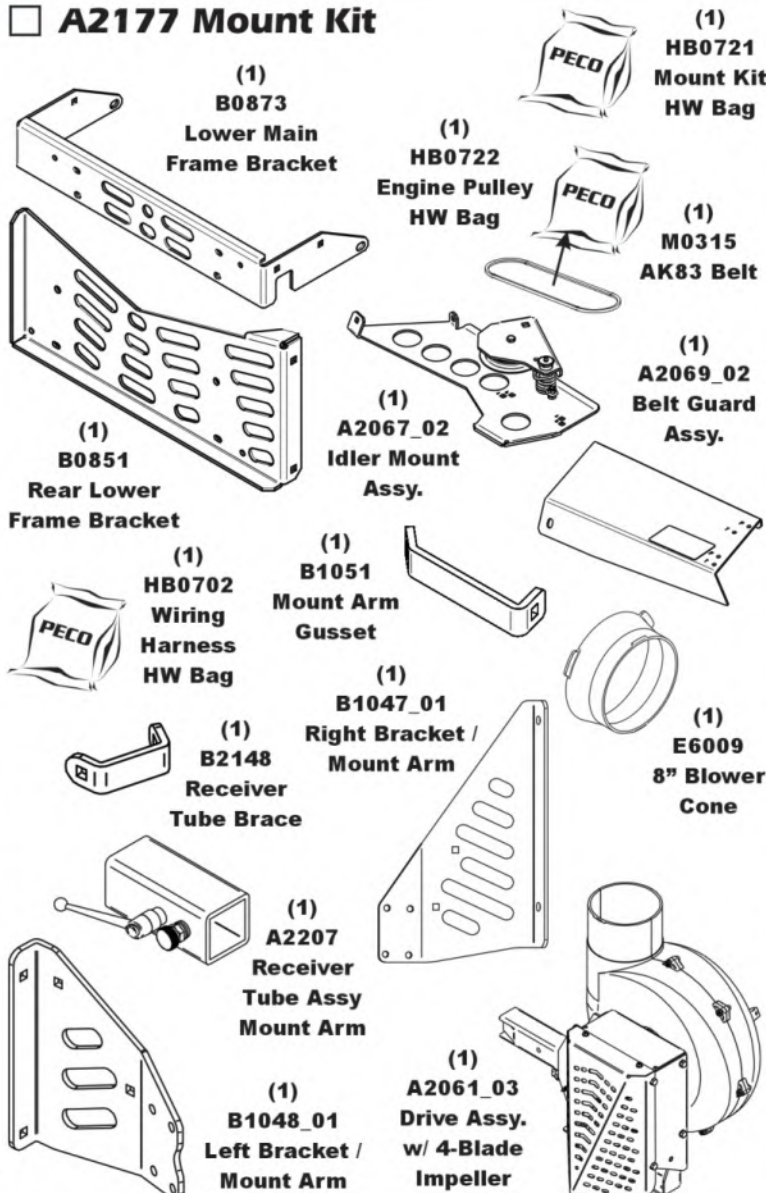
Revision #: 5 - PTO-X 1.5 - BS - 7/24/24

Fits Year(s): 2018-2020

☐ A2181 Vac Kit



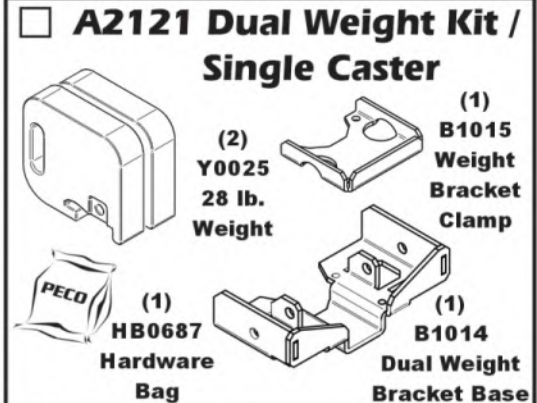
☐ A2177 Mount Kit



☐ A2159 Boot Kit



☐ A2121 Dual Weight Kit / Single Caster



☐ A2162 Quad Weight Kit / Single Caster

