



ESTATE SERIES/PASTURE VAC COLLECTION SYSTEM

Model# 795003, 795009, 795005U,
805003 & 805006



50 CUBIC FOOT

Estate Series

795003 Yanmar 7HP Diesel

795009 Briggs & Stratton 14HP Vanguard

Pasture Vac

805003 Yanmar 7HP Diesel

805006 Briggs & Stratton 14HP Vanguard

Unassembled

795005U Engine Driven 50 Cu. Ft.

OPERATOR'S MANUAL

ASSEMBLY • OPERATION • MAINTENANCE

GRASS COLLECTION SYSTEM

TABLE OF CONTENTS

SECTION	PAGE	SECTION	PAGE
Safety	2	Engine Mount Swivel Adapter Installation	25
Safety Alert Symbols	3	Hose Hanger Installation	26
Warranty	4	Universal Battery Kit Installation	27-28
I INTRODUCTION AND DESCRIPTION	5	Engine Installation	29
Introduction	5	Engine Swing Lockout Instructions	29
Description	5	Wiring Harness Installation	30-32
II INSTALLATION FOR USE	6	Jack Stand Assembly & Installation	33-34
Tilt Base Frame Assembly Installation	6	Impeller Blade Removal/Replacement	35
Wheel Installation	6	Hose Guard Installation	36
Latch Assembly Installation	7	Length of Hose Adjustment	37
Box Bottom & Front Panel Installation	8	Upper Hose Installation	37
Box Side Panel Installation	9	Lower Hose to Blower Cone Installation	37
Vertical Rail Assembly Installation	10	Lower Hose to Boot Installation	37
Diagonal Rail Installation	11	Wand Kit Installation	38
Screen Frame Assembly Installation	12	Exploded Views & Parts List	39-45
Box Top Panel Installation	13	Overall Parts List	46-51
Inlet Cone Installation	14	Safety Decals	52
Door & Hinge Assembly Installation	15	III OPERATING INSTRUCTIONS	53
Door Tension Rod Assembly Installation	16	General Safety	53
Latch Rod Assembly Installation	17	Operation & Tips On Mowing	53
Inlet Arm Assembly Installation	18	Disengagement Of The PTO Assembly	53
Swivel Inlet Assembly Installation	18	Unloading The Collection System	53
Tongue Mount Bracket Installation	19	IV MAINTENANCE	53
Tongue Installation	19	Maintenance Checklist	53
Tongue Hitch Options & Installation	20	Lubrication	53
Engine Support Arm Assembly Installation	21	V PARTS AND SERVICE	54
Engine Mount Assembly Installation	22	Parts And Service Information	54
Engine Stay Plate Installation	22	Torque Specifications	55
Ball Clevis Assembly Installation	23	Troubleshooting	56
Swivel Base Mount Installation	24		
Swivel Base Installation	24		

SAFETY

1. Read the operator's manual carefully and familiarize yourself with the proper use of your attachment. Do not allow anyone who is not acquainted with the Safety Instructions to use your attachment.
2. Know the controls and how to stop them quickly. **READ THE OPERATOR'S MANUAL!**
3. Do not allow children to operate the machine. Do not allow adults to operate it without proper instruction.
4. Be especially watchful of children and pets entering into the area while operating.
5. Keep your eyes and mind on your machine while mowing or operating your attachment. Don't let others distract you.
6. Do not attempt to operate your machine when not in the driver's seat.
7. Always shut off blades and engine when emptying the container.
8. Stop machine, shut off deck attachment, set parking brake, shut off engine and remove ignition key before removing clogs, removing or replacing hose, boot, blower cone, or performing any maintenance.
9. Mow across the face of slopes (not more than 10 degrees); never up and down the face.
10. It is recommended that the container be emptied when half full while operating on slopes. Start mowing on slopes when the container is empty.
11. Inspect your lawn and remove any foreign objects before mowing. Never deliberately run the mower across any foreign object.
12. Wear hearing protection.

SAFETY

WARNING! NEVER operate the mower unless the discharge guard and either the deflector assembly or the vacuum collector adapter are fastened securely in place.

WARNING! Do not work around the mower deck boot or the blower area until you are certain that the mower blades and the blower impeller have stopped rotating.

WARNING! To avoid serious injury, perform maintenance on the vacuum collector; **ONLY AFTER STOPPING THE MOWER'S ENGINE AND WAITING FOR ALL MOVING PARTS TO COME TO A COMPLETE STOP.** Set the parking brake. Always remove the ignition key before beginning maintenance.

WARNING! For your own personal safety, **ALWAYS mow ACROSS the face of slopes and NEVER UP and DOWN the face. NEVER attempt to mow excessively steep slopes, and use caution when turning on any slope.**

Safety Alert Symbol



This Safety Alert Symbol means: **“ATTENTION! BECOME ALERT! YOUR SAFETY IS INVOLVED!”**

This symbol is used to call attention to safety precautions that should be followed by the operator to avoid accidents. When you see this symbol, carefully read the message that follows and heed its advice. Failure to comply with safety precautions could result in death or serious bodily injury.

Safety Signs

The signal words **DANGER**, **WARNING**, and **CAUTION** are used on the equipment safety signs. These words



White letters on **RED**

This signal word indicates a potentially hazardous situation which, if not avoided, will result in death or serious injury.



Black letters on **ORANGE**

This signal word indicates a potentially hazardous situation which, if not avoided, could result in death or serious injury.

It may also be used to alert against unsafe practices.



Black letters on **YELLOW**

This signal word indicates a potentially hazardous situation which, if not avoided, will result in minor or moderate injury.

It may also be used to alert against unsafe practices.

PECO LIMITED WARRANTY FOR NEW PRODUCTS

New PECO, Inc. extends the following warranties to the ORIGINAL PURCHASER of each New PECO, Inc. consumer product purchased from one of our Dealers or directly from New PECO, Inc., subject to the following limitations:

A. ITEMS COVERED UNDER WARRANTY

1. **PRODUCT WARRANTY** – Any part or parts which are deemed defective in material or workmanship, as delivered to the original purchaser, will either be repaired or replaced, as New PECO, Inc. elects, without charge for parts or labor, if the defect appears within 12 months from the date of purchase of the product to the Original Purchaser.
2. **PARTS REPLACED DURING WARRANTY** – Any New PECO, Inc. part which is furnished in performance of this warranty and is defective in material or workmanship as delivered to the purchaser will be repaired or replaced, as New PECO, Inc. elects, before the expiration of the original warranty period.

B. WARRANTY DISTINCTIONS

1. **RESIDENTIAL** - Products put to a personal use around a single household or residence are considered Residential. Products designated as “Residential” are warranted for 12 months from the date of purchase of the product, to the ORIGINAL PURCHASER with proof of purchase, when used for or in residential applications.
2. **COMMERCIAL** – Products put to any business use (agricultural, commercial or industrial) or used at multiple locations are considered Commercial. Products designated as “Commercial” are warranted for 12 months from the date of purchase of the product, to the ORIGINAL PURCHASER with proof of purchase, when used for or in commercial applications. Products designated as “Residential” are warranted for 90 days from the date of purchase of the product, to the ORIGINAL PURCHASER with proof of purchase, when used for or in Commercial applications.
3. **RENTAL** – Products used for Rental or Lease Purposes are warranted for 45 days from date of purchase of the product, to the ORIGINAL PURCHASER with proof of purchase, when used for or in a rental business.

C. ITEMS NOT COVERED BY NEW PECO WARRANTY

1. **ENGINES & BATTERIES:** Engines and Batteries attached to New PECO, Inc. products are covered under their respective separate manufacturer warranties and those companies must be contacted directly to file a warranty claim. Briggs & Stratton: https://www.briggsandstratton.com/na/en_us/support/warranty.html
2. **UNAPPROVED ALTERATION OR MODIFICATION:** All obligations of New PECO, Inc. under this warranty shall be terminated if products are altered or modified in any way not approved by New PECO, Inc.
3. **ACCIDENTS & NORMAL MAINTENANCE:** This warranty covers ONLY manufacturers defective material and workmanship. It does not cover depreciation or damage caused by normal wear & tear, accident, improper maintenance, misuse or abuse of products. New PECO, Inc. products must be operated and maintained in accordance with the instructions furnished in the manuals. The cost of normal maintenance and normal replacement of service items such as belts, cutting blades, hoses, bags, etc., which are not defective shall be paid for by the purchaser.
4. **NO SERVICE CENTER WARRANTY:** The selling Service Center/Dealer makes no warranty on his own on any item warranted by New PECO, Inc. unless he delivers to purchaser a separate written warranty certificate specifically warranting the item. The Service Center or Dealer has no authority to make any representation or promise on behalf of New PECO, Inc. or to modify the terms of the original warranty in any way.
5. **NO REPRESENTATIONS ADDITIONAL WARRANTIES, DISCLAIMER:** Neither New PECO, Inc. nor any company affiliated with New PECO, Inc. makes any warranties, representations or promises as to the quality of performance of its products other than those set forth herein. Except as described above, New PECO, Inc. makes no other warranties **AND SPECIFICALLY DISCLAIMS ANY AND ALL IMPLIED WARRANTIES OF FITNESS AND MERCHANTABILITY.**
6. **REMEDIED EXCLUSIVE:** The only remedies the purchaser has in connection with the breach or performance of any warranty on New PECO, Inc. consumer products are set forth above. In no event will New PECO, Inc. be liable for special incidental or consequential damages.

Warranty service is available through your local authorized service dealer or distributor. If you do not know the dealer or distributor in your area, search by your zip code on www.lawnvac.com or contact our Sales Department at New PECO, Inc. 800-438-5823 or email Sales@lawnvac.com.

Section I - INTRODUCTION AND DESCRIPTION

Introduction

We are pleased to have you as a PECO customer. Your collection system has been designed to give you a low maintenance, simple, and effective way to collect the grass clippings from your mower. The manuals are provided to give you the necessary instructions to properly mount, operate and maintain the collection system on your mower. Please read this manual thoroughly. Understand what each control is for and how to use it. Observe all safety decal precautions on the machine and noted throughout the manual.

NOTE: All references made to right, left, front, rear, top or bottom are as viewed from the normal operator's position on the mower.

Description

The grass collection system is designed for turf maintenance where there is a need to collect the grass clippings as the mower cuts the turf. It is also used for picking up leaves in pre-season and post-season clean-up. The engine/blower/blade assembly, is mounted on the right side of the unit. The blower draws grass clippings from the discharge area up and back to the container mounted to the rear of the mower. The operator can engage the engine/blower/blade assembly by starting the engine. Once the container is full of clippings, the operator can then release the door latch and easily lift the handle to dump.



Note

Installations for specific units will be specified under the current section heading as either:

Estate Series Unit Instructions or Pasture Vac Unit Instructions

Pasture Vac Units may also share similar instructions with the Estate Series Units. The units sharing the same instructions will not have any specification under the section heading.

Section II - INSTALLATION FOR USE

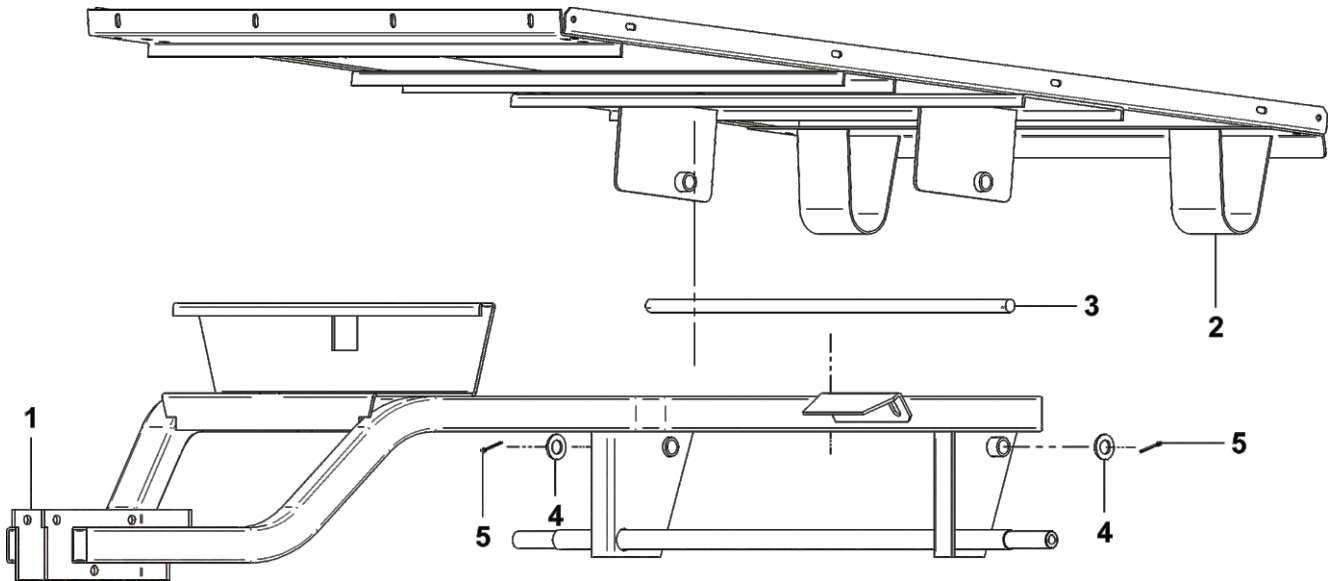
Tilt Base Frame Assembly Installation

To install the Tilt Base Frame Assembly (Item #2), position the Tilt Base Frame Assy between the Chassis Frame Assembly (Item #1) and use (1) Tilt Rod (Item #3) to mount the Tilt Base Frame Assy. Secure the Tilt Rod by using (1) 3/4" Flat Washer (Item #4) and (1) Cotter Pin (Item #5) on each side of the Tilt Rod. Refer to Figure A below.

Note: Some parts and part features have been hidden from view for visual clarity.

Figure A

Item #	Part #	Desc.	Qty.
1	A0395	Chassis Frame Assy	1
2	A0040	Tilt Base Frame Assy.	1
3	B4225	Tilt Rod	1
4	K0061	3/4" Flat Washer / 1.486 OD x .810 ID x .147 T	2
5	K0085	.125 OD x 1.50 Cotter Pin	2



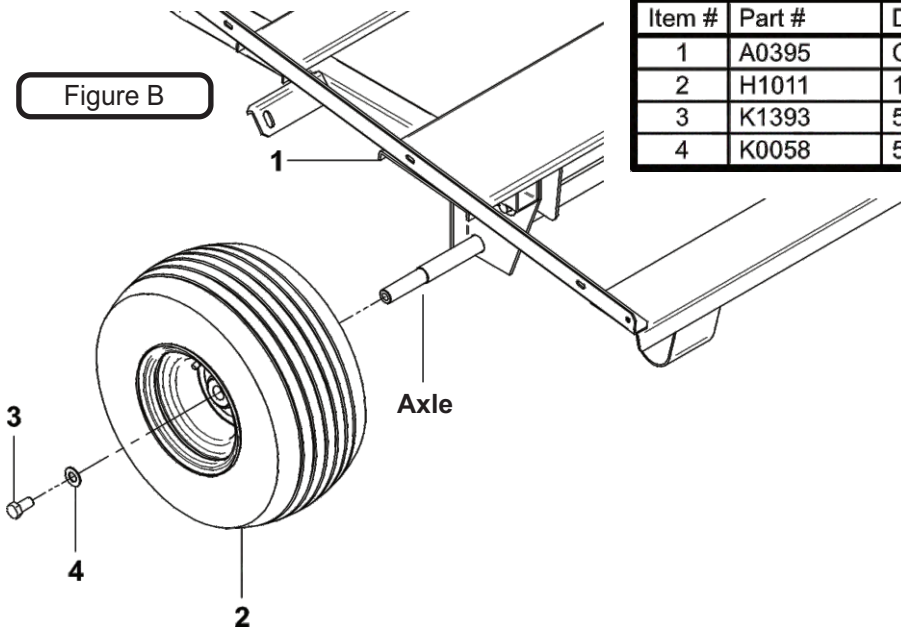
Wheel Installation

To install the (2) Wheels (Item #2), lift the Chassis Frame Assy (Item #1) up enough to place and position the (2) Wheels onto either side of the axle of the Chassis Frame Assy. Secure each Wheel by using (1) 5/8"-11 x 1-1/4" HHCS (Item #3) and (1) 5/8" Flat Washer (Item #4) per Wheel. Refer to Figure B below.

Note: Some parts and part features have been hidden from view for visual clarity.

Figure B

Item #	Part #	Desc.	Qty.
1	A0395	Chassis Frame Assy	1
2	H1011	18 X 8.5 Wheel / No Axle	2
3	K1393	5/8"-11 x 1-1/4" HHCS	2
4	K0058	5/8" Flat Washer	2



Latch Assembly Installation

Before installing the Latch Assembly (Item #3), position the (2) Bearing Block / Sets (Item #2) over the Latch Assy and make sure the Bearing Block / Sets are set between and resting on the washers of the Latch Assy, refer to Figure B. Position the pre-assembled parts under the Tilt Base Frame Assembly (Item #1) aligning the bolt holes of the Bearing Block / Sets to those of the Tilt Base Frame Assy, Refer to Figure A and Figure C.

Secure all parts by using (2) 3/8"-16 x 2" Carriage Bolts (Item #4) and (2) 3/8"-16 Flange Nuts (Item #5) per Bearing Block / Set. Refer to Figure A.

Note: Some parts and part features have been hidden from view for visual clarity.

Figure A

Item #	Part #	Desc.	Qty.
1	A0040	Tilt Base Frame Assy.	1
2	C7001	Bearing Block / Set	2
3	A0467	Latch Assy.	1
4	K1184	Carriage Bolt 3/8"-16 x 2"	4
5	K1215	Flange Nut 3/8"-16	4

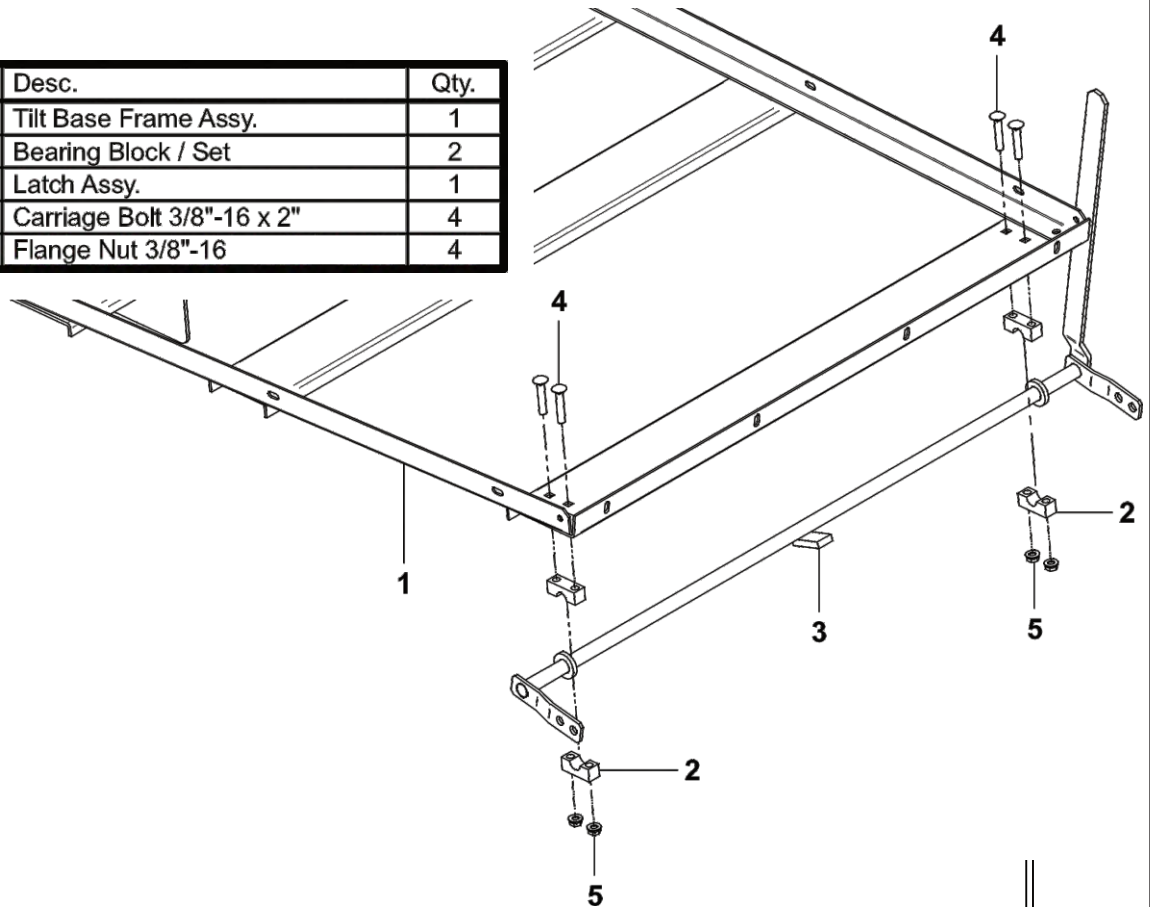


Figure B

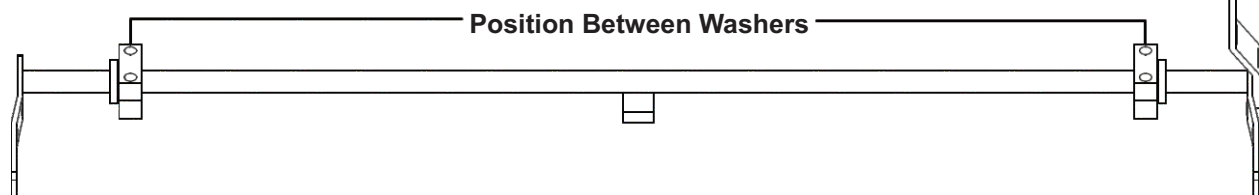
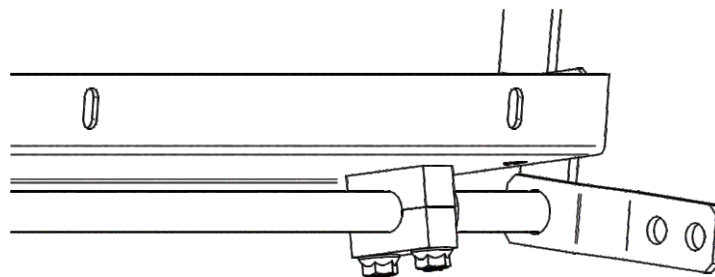


Figure C



Position under Tilt Base Frame Assy

Box Bottom & Front Panel Installation

Set the Bottom Panel (Item #2) onto the Tilt Base Frame Assembly (Item #1) aligning the mount holes of the Bottom Panel to those of the Tilt Base Frame Assy, refer to Figure A. Next, Position the Front Panel (Item #3) upright and on top of the Bottom Panel. Align the bottom front set of mount holes of the Front Panel to those on the Bottom Panel, refer to Figure B.

Loosely secure the Front Panel by using (4) 5/16"-18 x 3/4" Carriage Bolts (Item #4) and (4) 5/16"-18 Flange Nuts (Item #5), refer to Figure B. Keep hardware relatively loose for the next step.

Note: Some parts and part features have been hidden from view for visual clarity.

Figure A

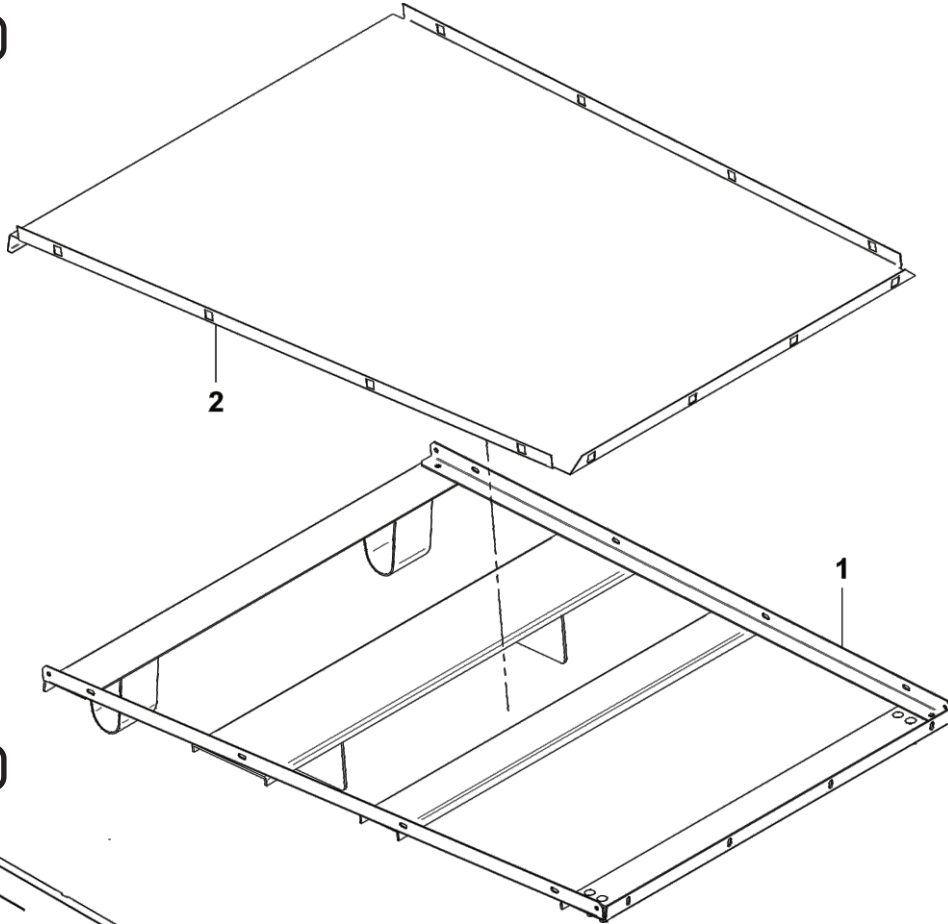
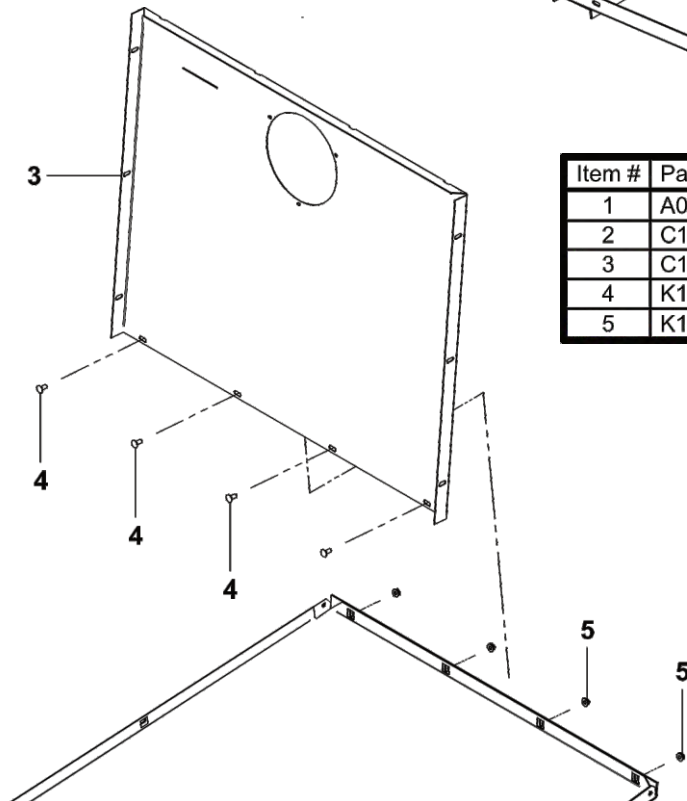


Figure B



Item #	Part #	Desc.	Qty.
1	A0040	Tilt Base Frame Assy.	1
2	C1188	Bottom Box Panel	1
3	C1191	Front Box Panel	1
4	K1142	5/16"-18 x 3/4" Carriage Bolt	4
5	K1178	Flange Nut 5/16"-18	4

Box Side Panel Installation

Place (1) Box Side Panel (Item #4) on either side of the Front Panel (Item #3). Make sure the Side Panel is on the inside of the Front Panel and Bottom Panel (Item #2). Align all mount holes of these parts.

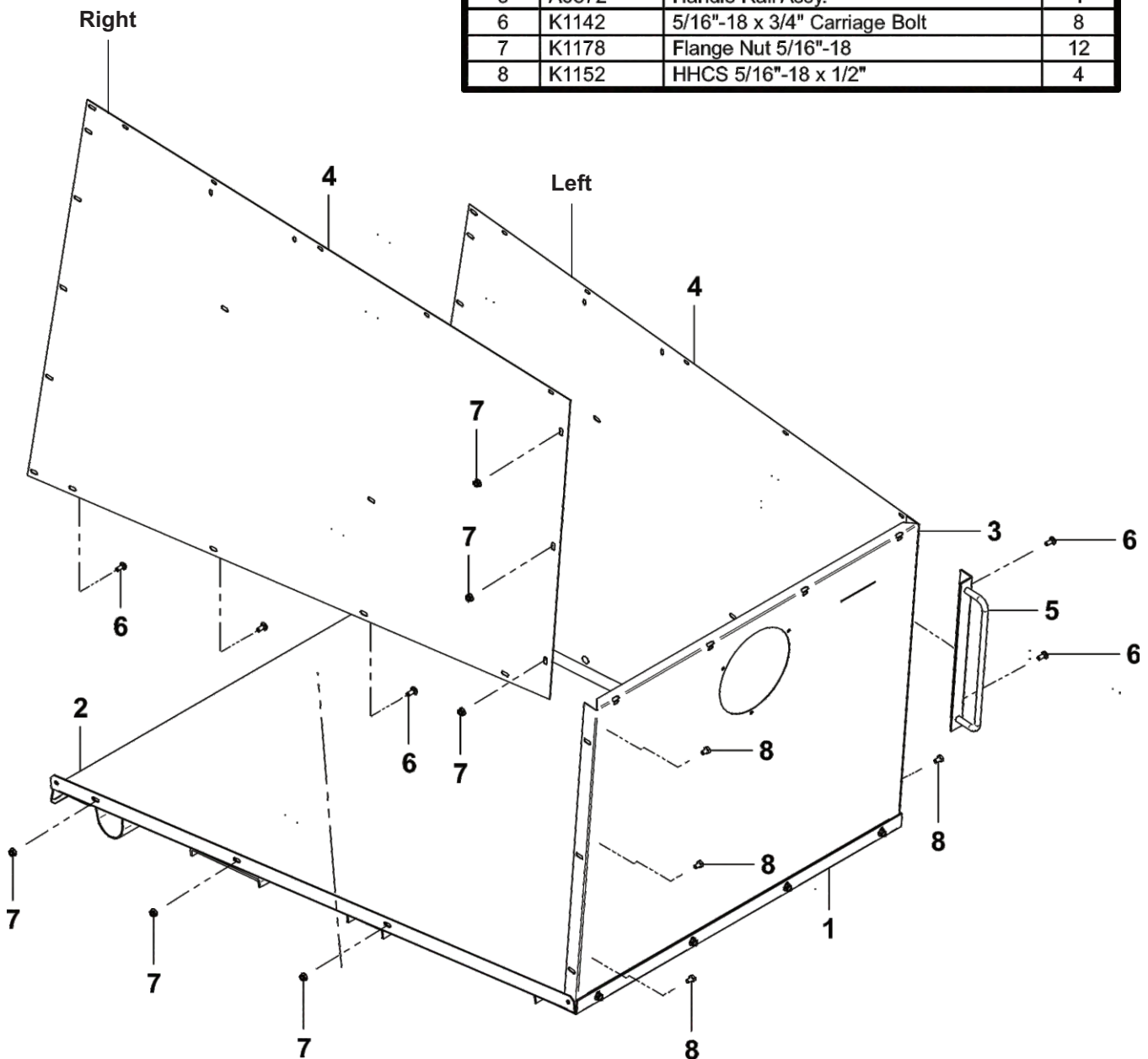
When securing the right Side Panel along the upright side with the Front Panel, use (3) 5/16"-18 x 1/2" HHCS (Item #8) and (3) 5/16"-18 Flange Nuts (Item #7). Along the bottom, use (3) 5/16"-18 x 3/4" Carriage Bolts (Item #6) and (3) 5/16"-18 Flange Nuts. Refer to Figure A. Be sure to secure the Side Panel relatively loose.

When securing the left Side Panel, utilize the same hardware to secure the bottom side. Before securing the upright side, attach (1) Handle Rail Assembly (Item #5) and then secure the left side by using (2) 5/16"-18 x 3/4" Carriage Bolts (Item #6), (1) 5/16"-18 x 1/2" HHCS (Item #8) and (3) 5/16"-18 Flange Nuts (Item #7). Refer to Figure A. Be sure all hardware are relatively loose for the next step.

Note: Some parts and part features have been hidden from view for visual clarity.

Figure A

Item #	Part #	Desc.	Qty.
1	A0040	Tilt Base Frame Assy.	1
2	C1188	Bottom Box Panel	1
3	C1191	Front Box Panel	1
4	C1189	Box Side	2
5	A0372	Handle Rail Assy.	1
6	K1142	5/16"-18 x 3/4" Carriage Bolt	8
7	K1178	Flange Nut 5/16"-18	12
8	K1152	HHCS 5/16"-18 x 1/2"	4



Vertical Rail Assembly Installation

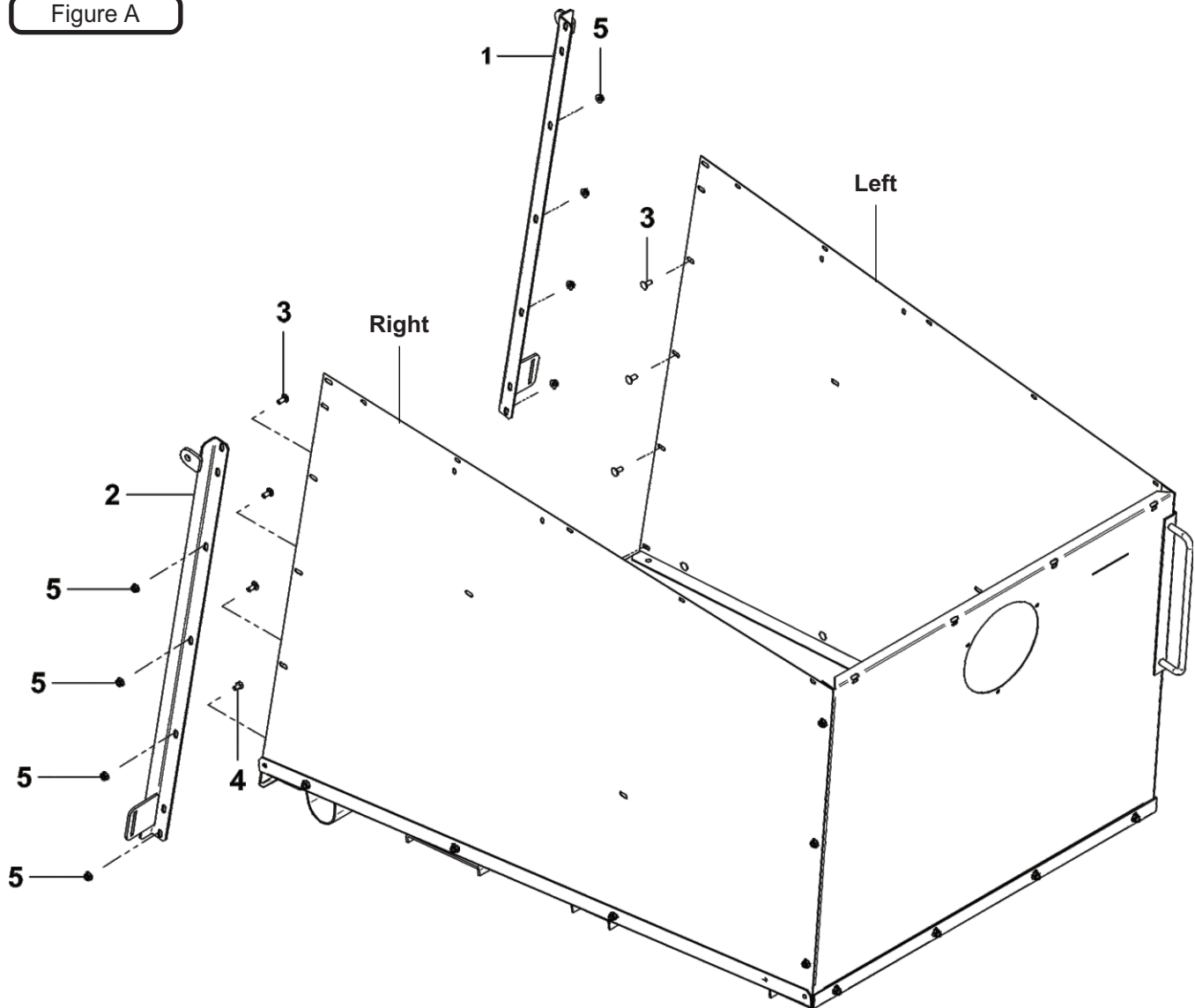
Position the Right Vertical Rail Assembly (Item #2) onto the right Side Panel aligning all bolt holes to those of the Side Panel. For this step, the top (2) bolt holes will remain open and not use any hardware.

Secure the Right Vertical Rail Assy relatively loose by using (3) 5/16"-18 x 3/4" Carriage Bolt (Item #3) and (3) 5/16"-18 Flange Nut (Item #5) on the middle (3) bolt holes. Then use (1) 5/16"-18 x 3/4" HHCS (Item #4) and (1) 5/16"-18 Flange Nut (Item #5) on the lower bolt hole. Refer to Figure A.

Repeat the same procedure for the Left Vertical Rail Assembly (Item #1). Make sure all hardware are secured relatively loose.

Note: Some parts and part features have been hidden from view for visual clarity.

Figure A



Item #	Part #	Desc.	Qty.
1	A0050	Vertical Rail Assy / Left	1
2	A0051	Vertical Rail Assy / Right	1
3	K1142	5/16"-18 x 3/4" Carriage Bolt	6
4	K1152	HHCS 5/16"-18 x 1/2"	2
5	K1178	Flange Nut 5/16"-18	8

Diagonal Rail Installation

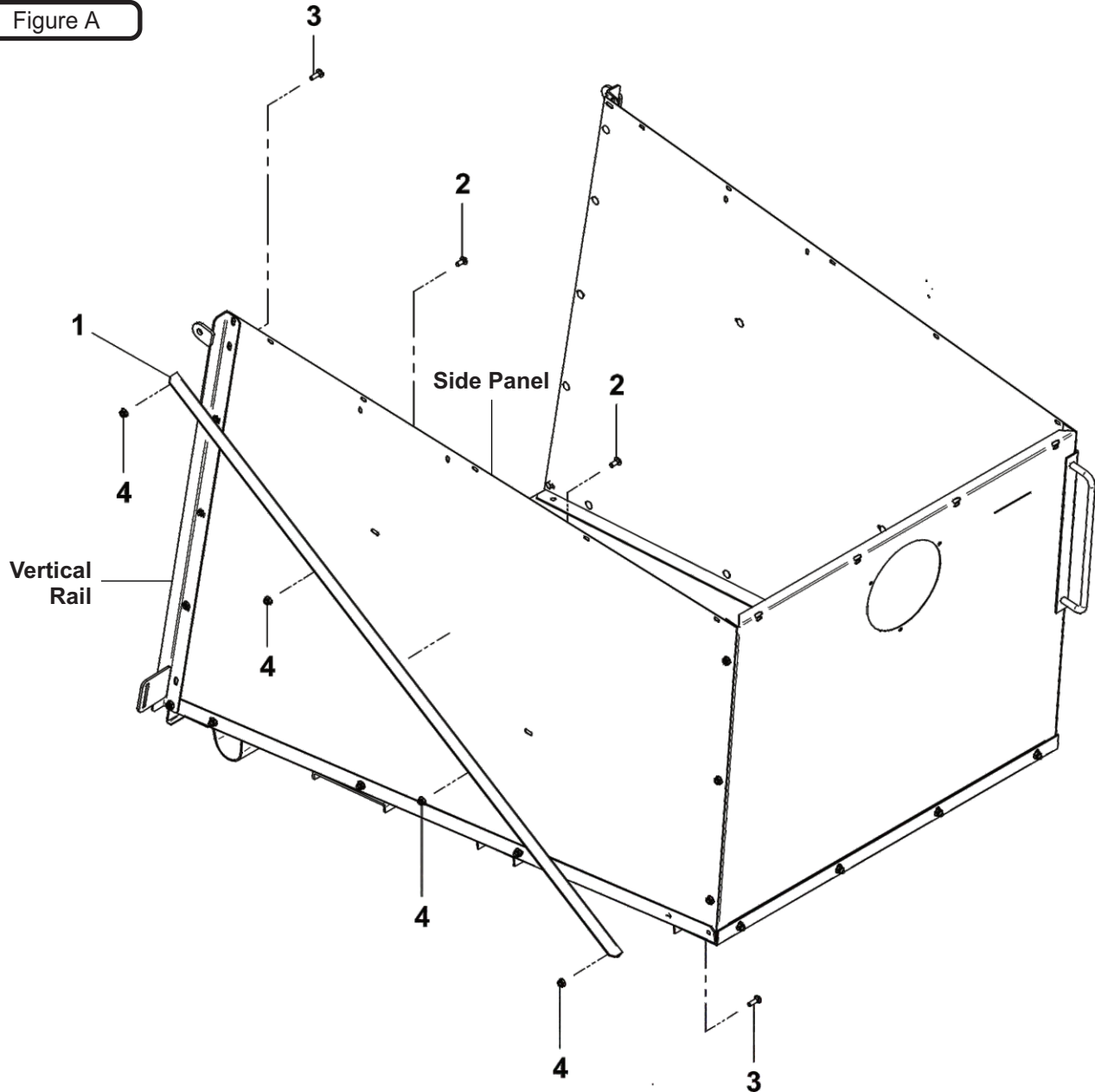
Position the Diagonal Rail (Item #1) over the Vertical Rail Assembly and Side Panel aligning the bolt holes of these parts. Refer to Figure A.

Secure the Diagonal Rail relatively loose by using (2) 5/16"-18 x 3/4" Carriage Bolts (Item #2) on the top and bottom Rail, (2) 5/16"-18 x 1" Carriage Bolts (Item #3) on the middle of the rail and (4) 5/16"-18 Flange Nuts (Item #4). Refer to Figure A.

Repeat the same procedure for the other side. Make sure all hardware are secured relatively loose.

Note: Some parts and part features have been hidden from view for visual clarity.

Figure A

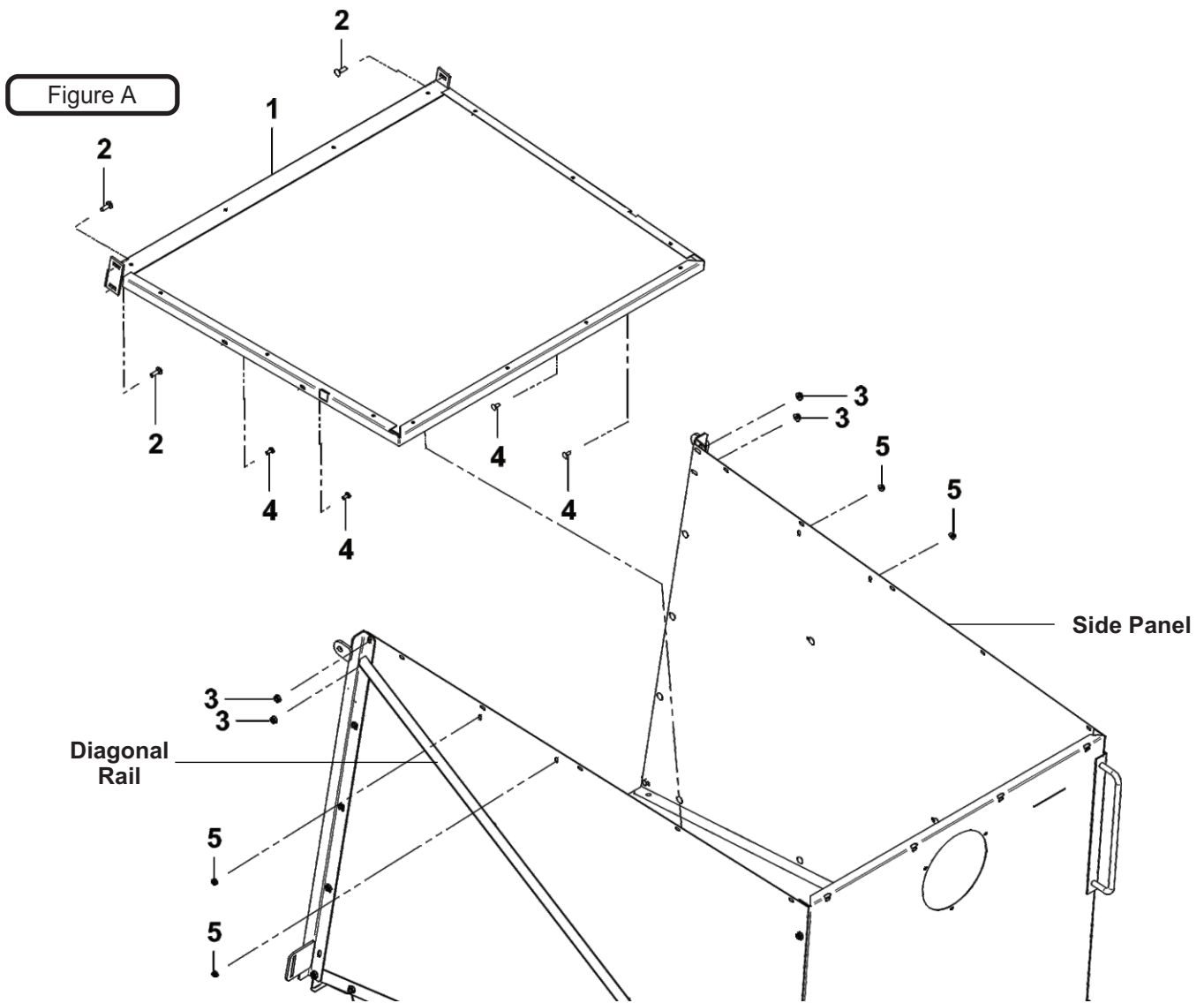


Item #	Part #	Desc.	Qty.
1	B5277	Diagonal Rail	1
2	K1142	5/16"-18 x 3/4" Carriage Bolt	2
3	K1144	5/16"-18 x 1" Carriage Bolt	2
4	K1178	Flange Nut 5/16"-18	4

Screen Frame Assembly Installation

Remove the (2) 5/16"-18 x 1" Carriage Bolt (Item #2) and (2) 5/16"-18 Flange Nuts (Item #3) that were used to secure the top of the (2) Diagonal Rails from the previous step. Once removed, position the Screen Frame Assembly (Item #3) towards the rear aligning the rear (2) mount holes to the mount holes of the Diagonal Rail. Secure the Screen Frame Assy relatively loose by using the previously removed hardware along with an additional (2) 5/16"-18 x 1" Carriage Bolt, (2) 5/16"-18 Flange Nuts, (4) 1/4"-20 x 5/8" Carriage Bolts (Item #4) and (4) 1/4"-20 Flange Nuts (Item #5), refer to Figure A.

Note: Some parts and part features have been hidden from view for visual clarity.



Item #	Part #	Desc.	Qty.
1	A0956	Screen Frame Assy.	1
2	K1144	5/16"-18 x 1" Carriage Bolt	4
3	K1178	Flange Nut 5/16"-18	4
4	K1010	1/4"-20 x 5/8" Carriage Bolt	4
5	K1126	Flange Nut 1/4"-20	4

Box Top Panel Installation

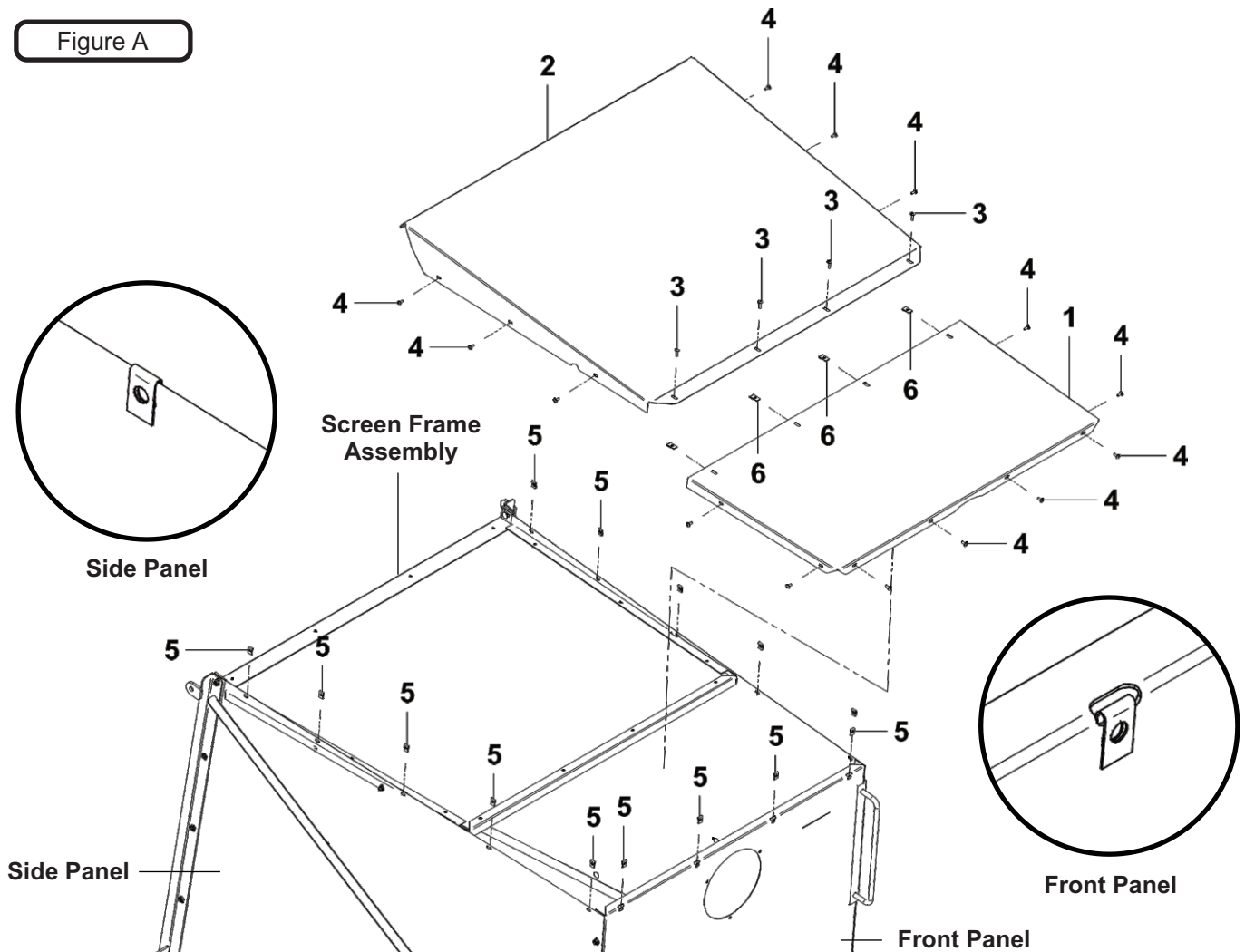
Start by attaching (14) Small Tinnerman Clips (Item #5) along the tops of the Side Panels and Front Panel, see Figure A. Then set (4) Large Tinnerman Clips (Item #6) along the front edge of the Screen Frame Assy as shown in Figure B.

Secure the Top Panel A (Item #1) over the Front Panel and Side Panel by using (8) Tinnerman Screws (Item #4) along the sides of the Top Panel A. Then, set the Top Panel B (Item #2) on top of the Top Panel A aligning the front mount holes to the rear mount holes of Top Panel A. Secure the Top Panel B by using (6) #10-12 x 1/2" Tinnerman Screws (Item #3) along the sides and (4) #10-12 x 3/4" Tinnerman Screws (Item #3) on top securing both Top Panels to the Screen Frame Assy. Refer to Figure A.

Tighten all hardware at this time.

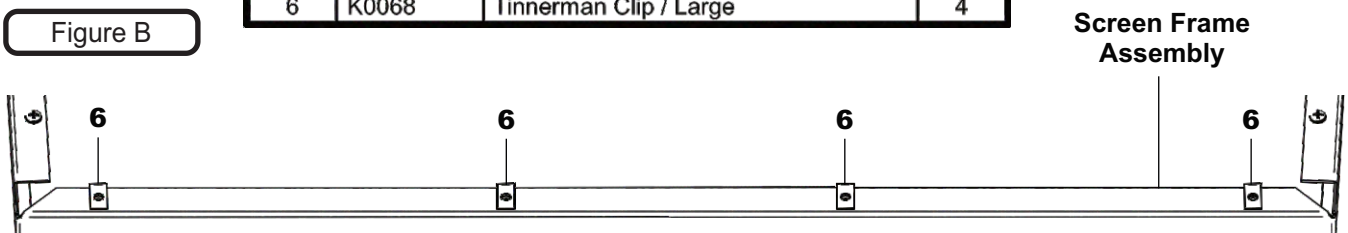
Note: Some parts and part features have been hidden from view for visual clarity.

Figure A



Item #	Part #	Desc.	Qty.
1	C1190_A	Top Box Panel A	1
2	C1190_B	Top Box Panel B	1
3	K1092	#10-12 x 3/4" Blunt Tip SMS	4
4	K1096	#10-12 x 1/2" Tinnerman Screw	10
5	K0028	Tinnerman Clip / Small	11
6	K0068	Tinnerman Clip / Large	4

Figure B



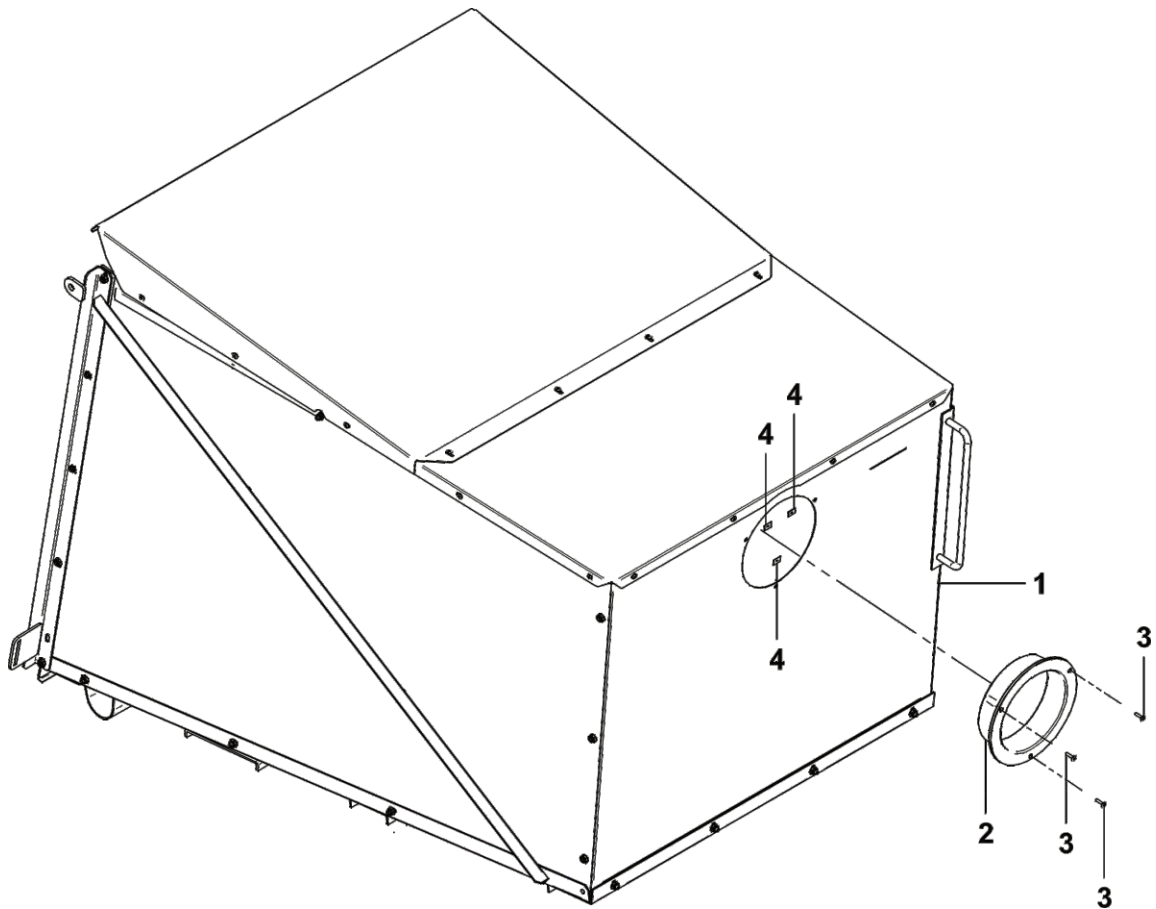
Inlet Cone Installation

Position the Inlet Cone (Item #2) over the collection hole of the Front Panel (Item #1) and secure the Inlet Cone by using (3) Blunt Tip Screw (Item #3) and (3) Flat Tinnerman Nuts (Item #4).

Note: Some parts and part features have been hidden from view for visual clarity.

Figure A

Item #	Part #	Desc.	Qty.
1	C1191	Front Box Panel	1
2	E8004	Inlet Cone	1
3	K1092	#10-12 x 3/4" Blunt Tip SMS	3
4	K0029	#10-12 Flat Tinnerman Nut 3/4" x 1/2"	3

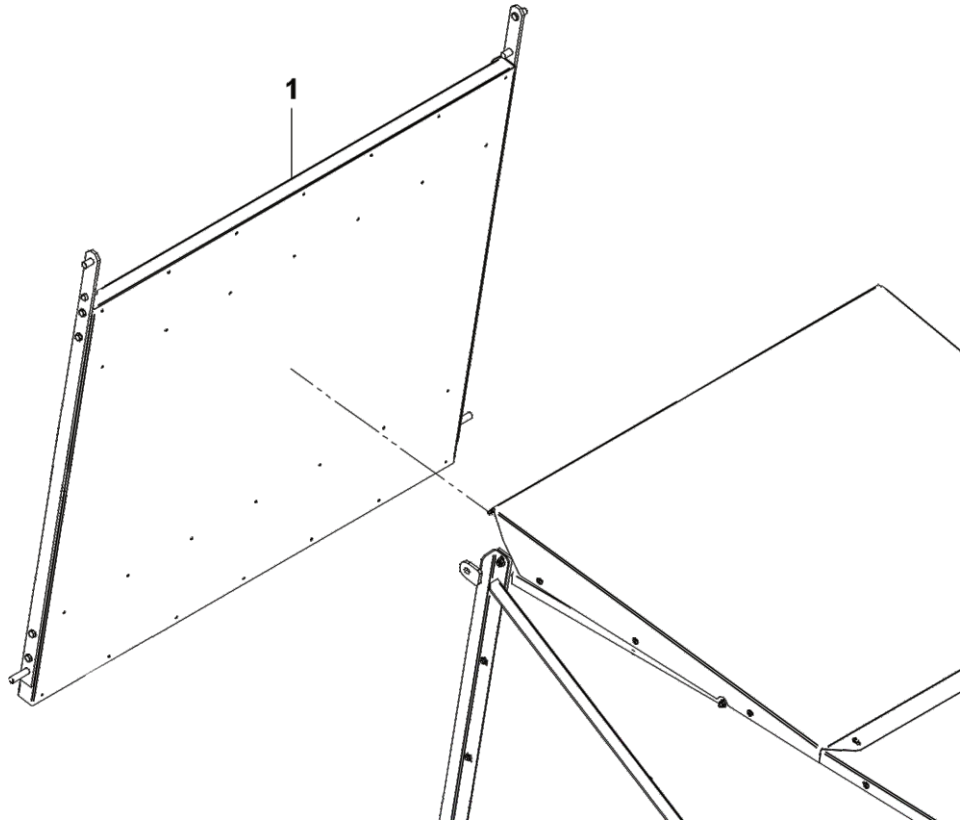


Door & Hinge Assembly Installation

Position Door & Hinge Assy (Item #1) back behind the trailer, see Figure A. Align the Door Hinge and insert the Door Hinge into the tabs of the Vertical Rails of both sides. See Figure B.

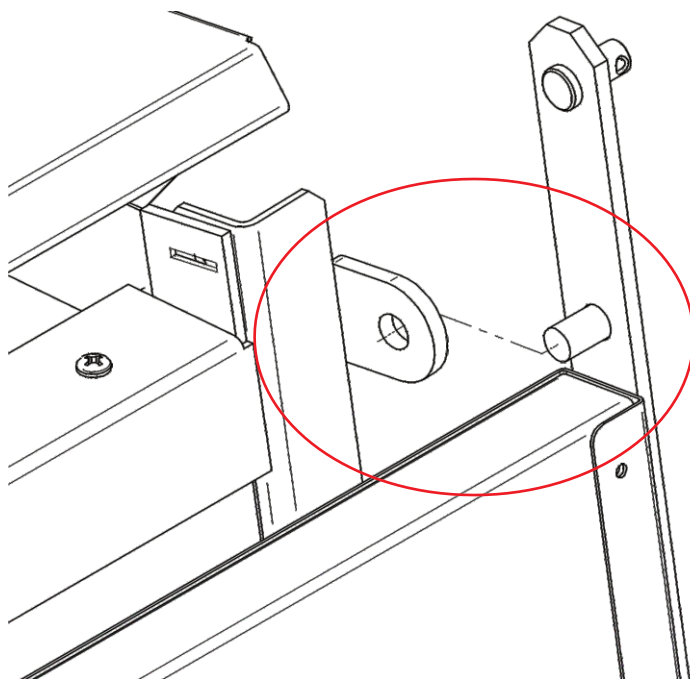
Note: Some parts and part features have been hidden from view for visual clarity.

Figure A



Item #	Part #	Desc.	Qty.
1	A0952	Door & Hinge Assy	1

Figure B



**Insert Door Hinge
into the Vertical Rail Tabs
on both sides**

Door Tension Rod Assembly Installation

Slide the Door Tension Rod Assembly (Item #2) in through the Angle Support Bracket of the lower side of the trailer assembly, refer to Figure B. Next, install (1) Pivot Rod Strap (Item #3) onto the Door Tension Rod Assemblies (Item #2) by pre-threading (1) 1/2"-13 Flange Nut (Item #6) onto the Door Tension Rod. Then Secure the Pivot Rod Strap by first aligning the Pivot Rod Strap to the Door & Hinge Assembly (Item #1) and using (1) more 1/2"-13 Flange Nut on the top side of the Pivot Rod Strap. See Figure A.

Secure the Pivot Rod Strap to the Door & Hinge Assy using the Hinge of the Door Assy, see Figure C, and using (1) 1/2" Flat Washer (Item #5) and (1) Rue Ring Cotter Pin (Item #4) on both sides, refer to Figure A and Figure C.

Note: Some parts and part features have been hidden from view for visual clarity.

Figure A

Item #	Part #	Desc.	Qty.
1	A0952	Door & Hinge Assy	1
2	A0341	Door Tension Rod Assy.	2
3	B2268	Pivot Rod Strap	2
4	K1437	Rue Ring Cotter Pin	2
5	K0055	Flat Washer 1/2" / 1.383 OD x .560 ID x .120 T	2
6	K1246	Flange Nut 1/2"-13	3

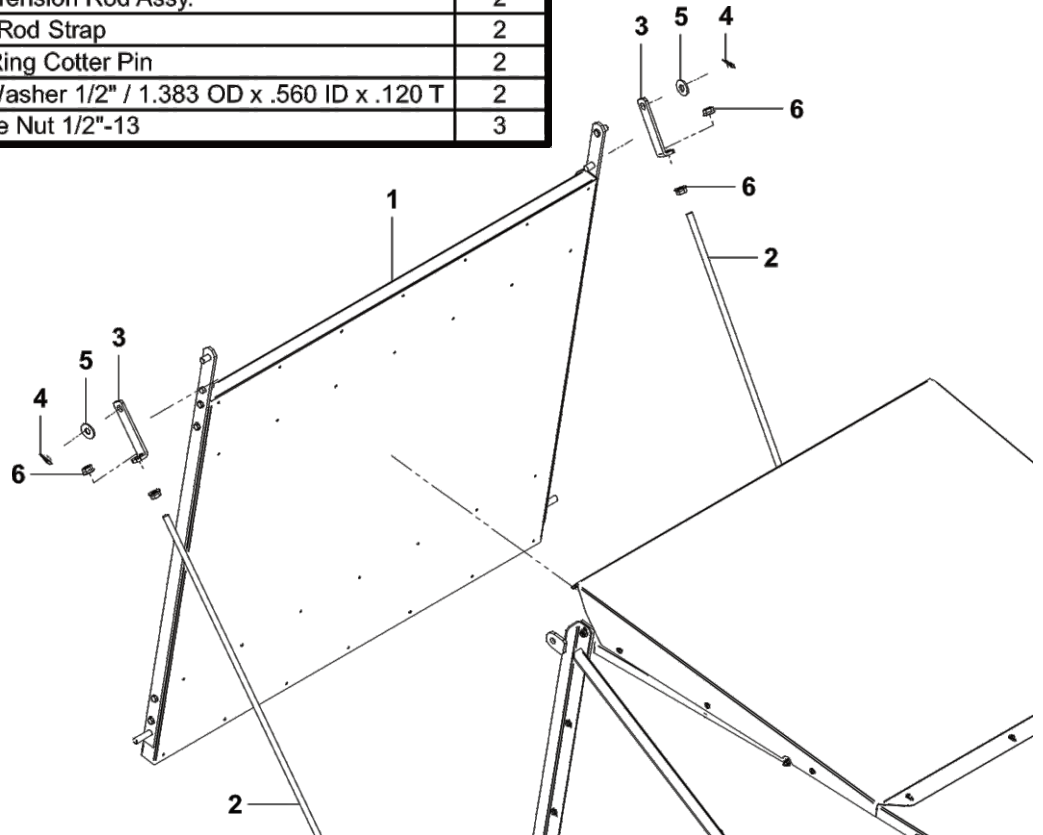
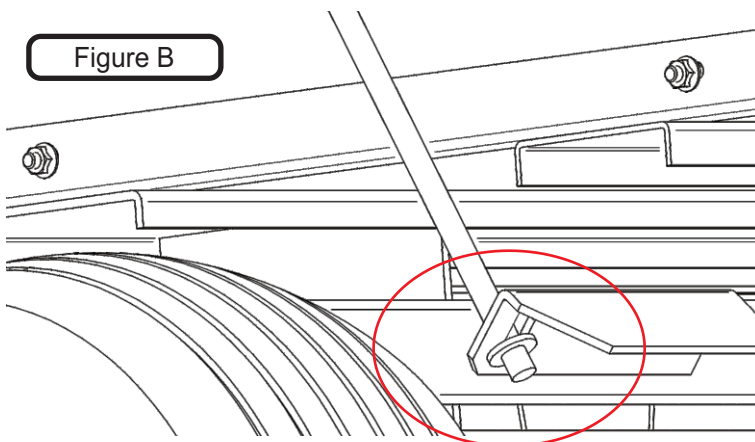
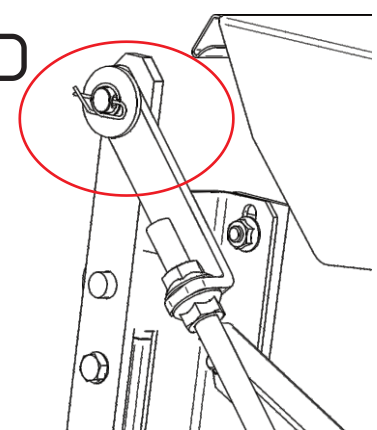


Figure B



Slide the Door Tension Rod Assembly
in through the Angle Support Bracket

Figure C



Secure the Pivot Rod Strap
to Door & Hinge Assy

Latch Rod Assembly Installation

To install the Latch Rod Assembly (Item #2), first loosely install the Latch Rod Assy to either Latch Release Lever (Item #3 or #4) by using (2) 1/2"-13 Flange Nuts (Item #5). Insert the Latch Release Lever through the Latch Guide at the base of the Vertical Rail and over the Door's lower hinge. See Figure B.

Once positioned secure the front end of the Latch Rod Assy by to the Latch Assembly (Item #1) by using (1) 1/2" Flat Washer (Item #6) and (1) Rue Ring Cotter Pin (Item #7). See Figure C. Repeat the procedures for the other side.

Note: Some parts and part features have been hidden from view for visual clarity.

Figure A

Item #	Part #	Desc.	Qty.
1	A0467	Latch Assy.	1
2	A0365	Latch Rod Assy	2
3	B1418	Latch Release Lever / Right	1
4	B1418	Latch Release Lever / Left	1
5	K1246	Flange Nut 1/2"-13	4
6	K0055	Flat Washer 1/2" / 1.383 OD x .560 ID x .120 T	2
7	K1437	Rue Ring Cotter Pin	2

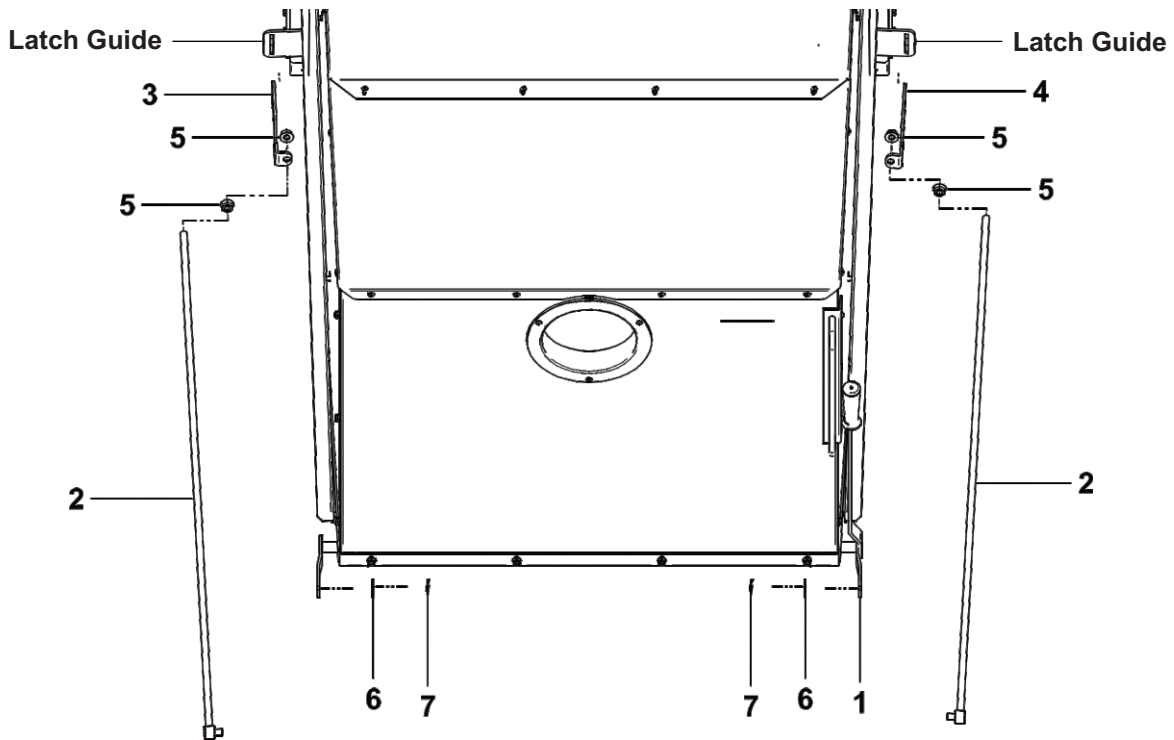
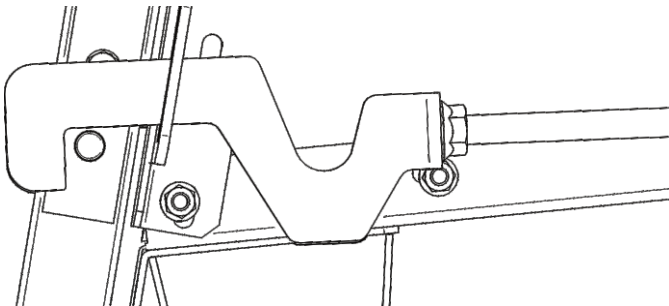
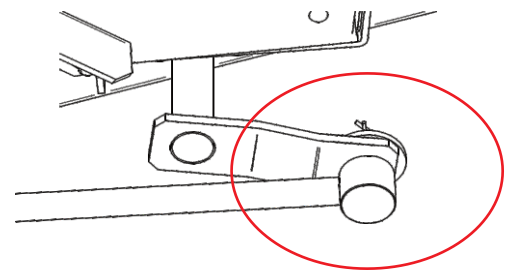


Figure B



Slide the Latch Release Lever through the Latch Guide at the base of the Vertical Rail and over the Door's lower hinge

Figure C



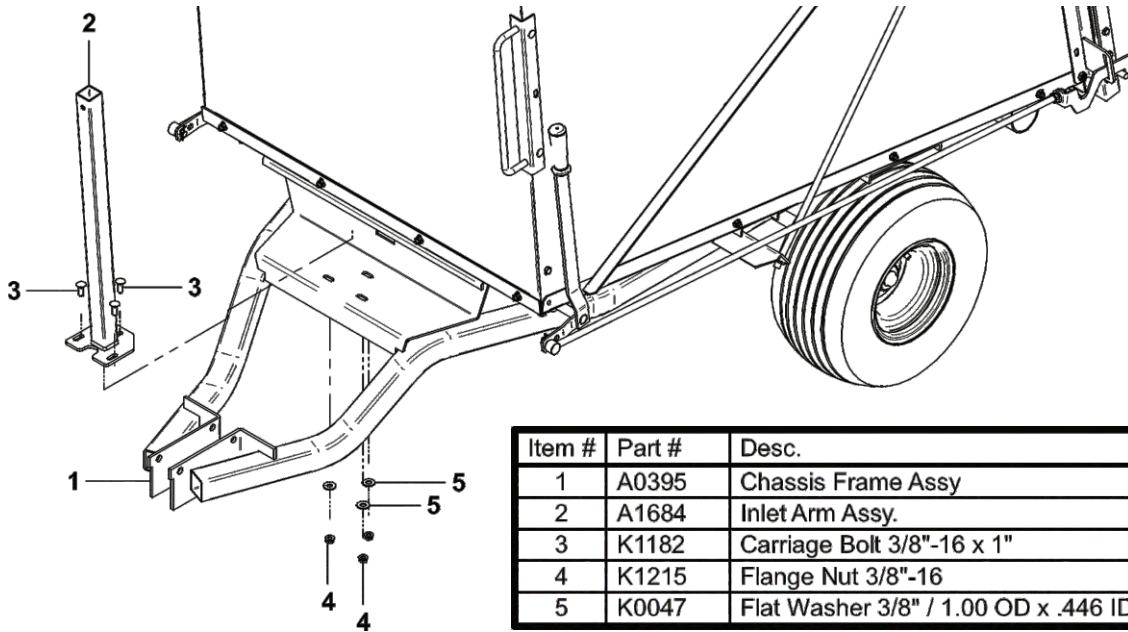
Secure Latch Rod Assembly to the Latch Assembly

Inlet Arm Assembly Installation

Position the Inlet Arm Assembly (Item #2) over the Chassis Frame Assembly's (Item #1) Base Frame Cross Support. See Figure A. Secure the Inlet Arm Assy by using (3) 3/8"-16 x 1" Carriage Bolts (Item #3), (3) 3/8"-16 Flange Nuts (Item #4) and (3) 3/8" Flat Washers (Item #5). Refer to Figure A.

Note: Some parts and part features have been hidden from view for visual clarity.

Figure A



Item #	Part #	Desc.	Qty.
1	A0395	Chassis Frame Assy	1
2	A1684	Inlet Arm Assy.	1
3	K1182	Carriage Bolt 3/8"-16 x 1"	2
4	K1215	Flange Nut 3/8"-16	2
5	K0047	Flat Washer 3/8" / 1.00 OD x .446 ID x .075 T	2

Swivel Inlet Assembly Installation

Position the Swivel Inlet Assembly (Item #1) and Foam Seal (Item #5) into the Blower Inlet, as shown in Figure B. Install the Swivel Inlet Assy into the Inlet Arm Assy (Item #2) by securing the Swivel Inlet Assy using (1) 3/8"-16 x 2" HHCS (Item #3) and (1) 3/8"-16 Flange Nut (Item #4), refer to Figure C.

Note: Some parts and part features have been hidden from view for visual clarity.

Figure B

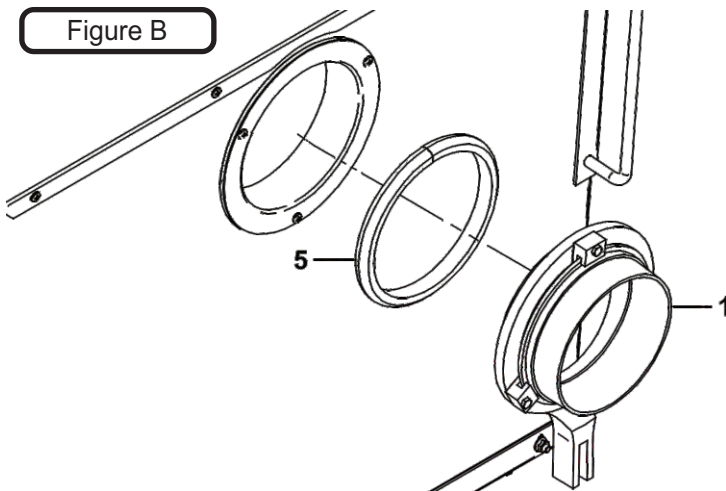
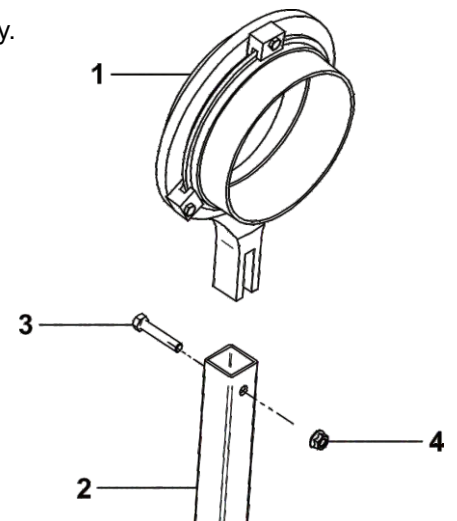


Figure C



Item #	Part #	Desc.	Qty.
1	A0957	Swivel Inlet Assy.	1
2	A1684	Inlet Arm Assy.	1
3	K1208	3/8"-16 x 2" HHCS	1
4	K1215	Flange Nut 3/8"-16	2
5	J0527	Foam Seal / 50 Trailer	1

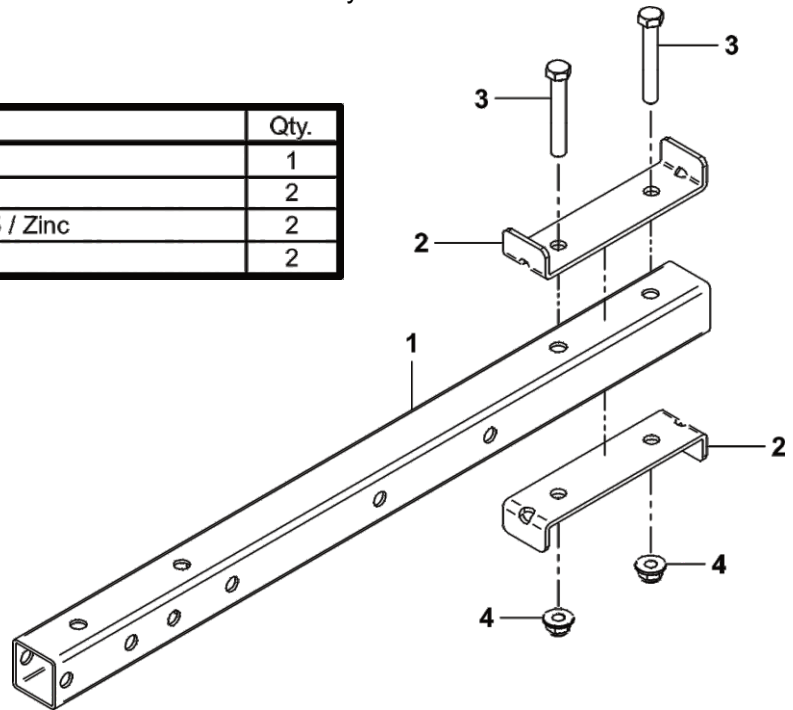
Tongue Mount Bracket Installation

Position (1) Tongue Mount Bracket (Item #2) over and another under the Tongue Tube (Item #1). Align the bolt holes and secure the (2) Tongue Mount Brackets to the Tongue Tube by using (2) 1/2"-13 x 3.25" HHCS (Item #3) and (2) 1/2"-13 Ny-Flange Lock Nuts (Item #4). Refer to Figure A.

Note: Some parts and part features have been hidden from view for visual clarity.

Figure A

Item #	Part #	Desc.	Qty.
1	B2225	Tongue Tube	1
2	B2226	Tongue Mount Bracket	2
3	K1041	HHCS 1/2"-13 x 3.25" / GR5 / Zinc	2
4	K2012	1/2"-13 Ny-Flange Lock Nut	2

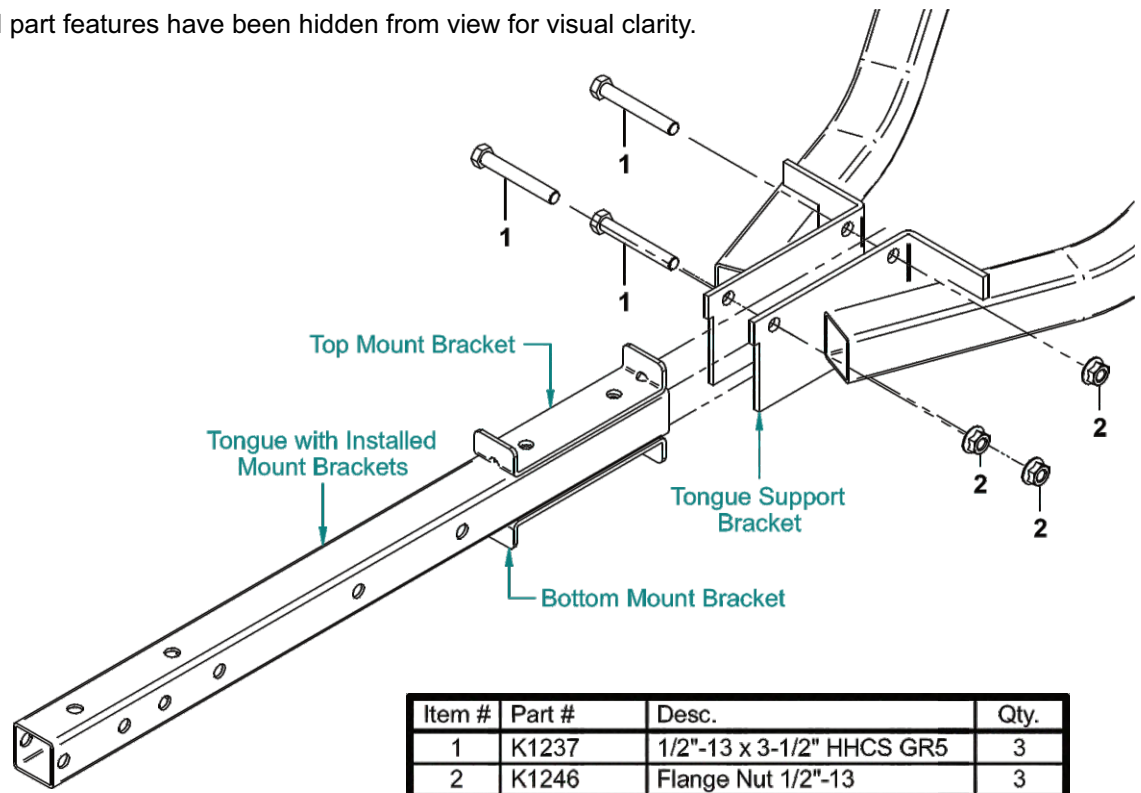


Tongue Installation

Position the Tongue Tube with the installed Tongue Mount Brackets between the Tongue Support Bracket of your Trailer Vac. Refer to Figure B. Secure the Tongue by using (3) 1/2"-13 x 3-1/2" HHCS (Item #1) and (3) 1/2"-13 Flange Nuts (Item #2). See Figure B.

Note: Some parts and part features have been hidden from view for visual clarity.

Figure B



Item #	Part #	Desc.	Qty.
1	K1237	1/2"-13 x 3-1/2" HHCS GR5	3
2	K1246	Flange Nut 1/2"-13	3

Tongue Hitch Options & Installation

Your Trailer Vac will have options available on how to hitch up to your tractor. Refer to the Instructions below..

The Tongue Hitch Kit P#(A2404) is an option available for hitching your Trailer Vac to your Tractor, see Figure A.

Before installing the Tongue Hitch Kit, assemble the kit together by positioning the Top Tongue Plate (Item #1) over the Bottom Tongue Plate (Item #2) and aligning their bolt holes together. Refer to Figure A. Secure the (2) Plates together by using (1) 3/8"-16 x 3" Carriage Bolts (Item #3) and (2) 3/8"-16 Ny-Flange lock Nuts (Item #4).

To install the Tongue Hitch Kit, place the Tongue Hitch Kit over the Tongue Tube (Item #1) and align the bolt holes. Secure the Tongue Hitch Kit by using (2) 1/2"-13 x 3-1/4" HHCS (Item #2) and (2) 1/2"-13 Ny-Flange Lock Nuts (Item #3). Refer to Figure B.

Note: Some parts and part features have been hidden from view for visual clarity.

Figure A

Item #	Part #	Desc.	Qty.
1	B2223	Top Tongue Plate	1
2	B2224	Bottom Tongue Plate	1
3	K1187	3/8"-16 x 3" Carriage Bolt	2
4	K2038	Ny-Flange Lock Nut 3/8"-16	2

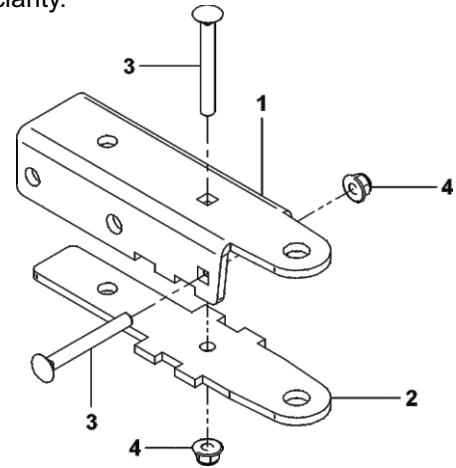
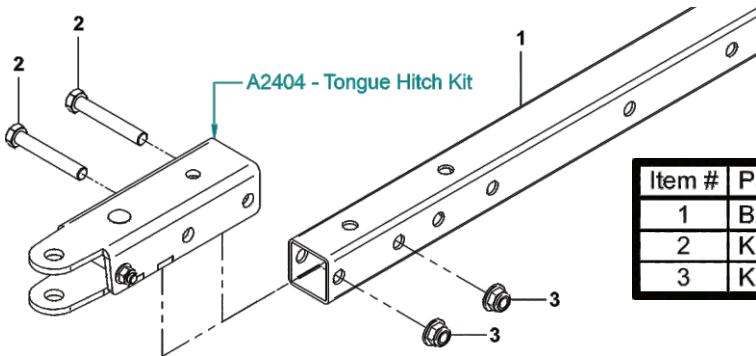


Figure B



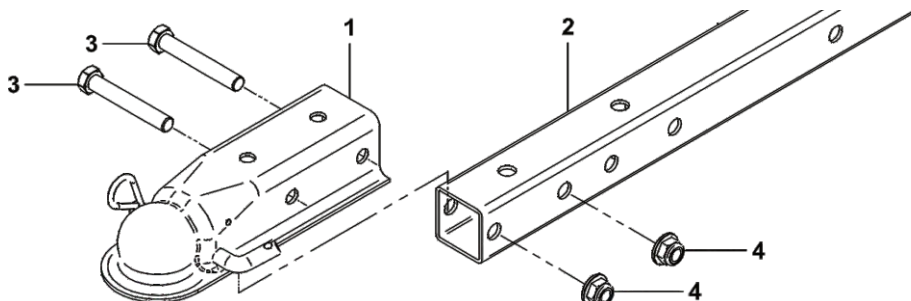
Item #	Part #	Desc.	Qty.
1	B2225	Tongue Tube	1
2	K1041	HHCS 1/2"-13 x 3.25" / GR5 / Zinc	2
3	K2012	1/2"-13 Ny-Flange Lock Nut	2

The QuickPin No-Latch 2" Trailer Coupler (Item #1) is an option available for hitching your Trailer Vac to your Tractor, see Figure C.

To install the QuickPin Trailer Coupler (Item #1), place the Trailer Coupler over the Tongue Tube (Item #2) and align the bolt holes. Secure the Trailer Coupler by using (2) 1/2"-13 x 3-1/4" HHCS (Item #3) and (2) 1/2"-13 Ny-Flange Lock Nuts (Item #4). Refer to Figure C.

Figure C

Item #	Part #	Desc.	Qty.
1	J0033	QuickPin Trailer Coupler	1
2	B2225	Tongue Tube	1
3	K1041	HHCS 1/2"-13 x 3.25" / GR5 / Zinc	2
4	K2012	1/2"-13 Ny-Flange Lock Nut	2



Engine Support Arm Assembly Installation

Estate Series Unit Instructions

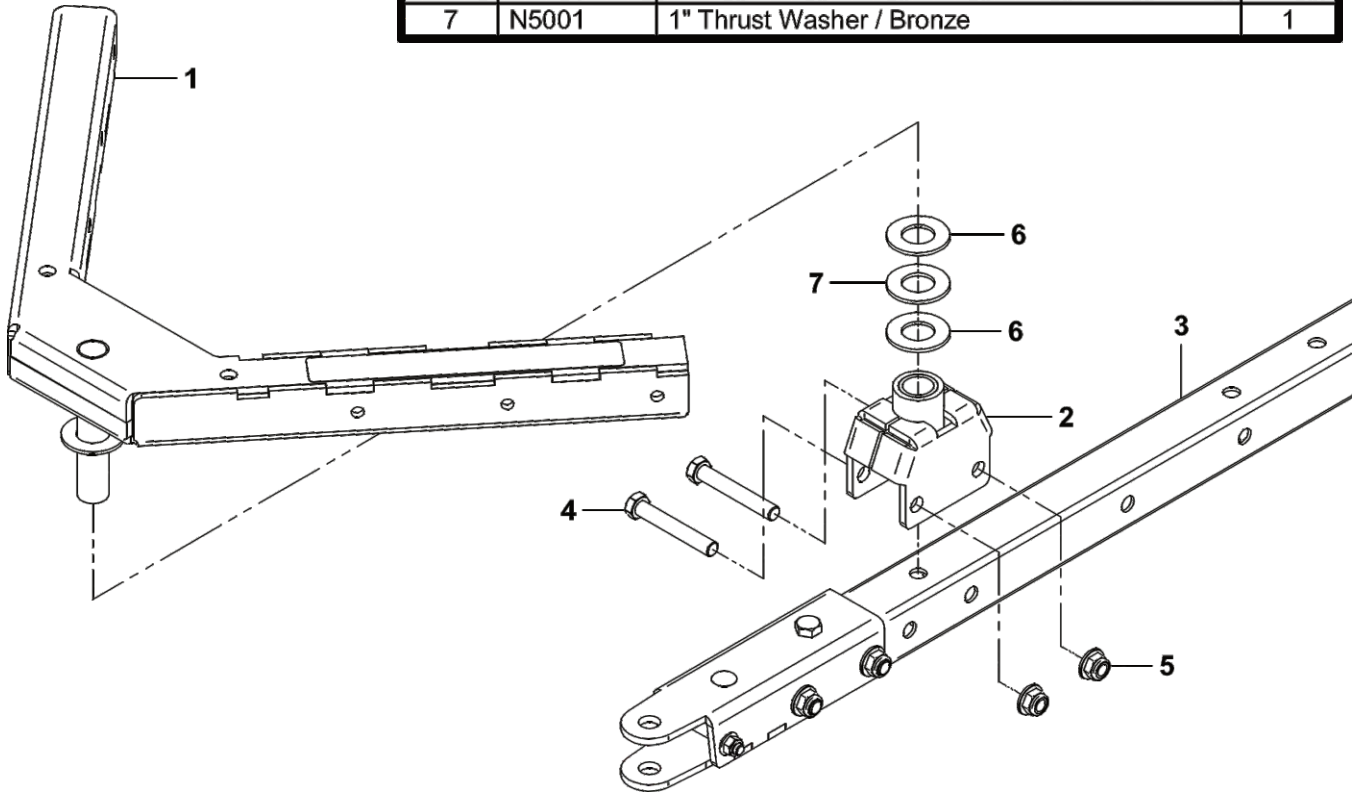
First, install the Mount Arm Swivel Assembly (Item #2) by aligning the bolt holes to those of the Tongue Tube (Item #3). Secure the Mount Arm Swivel Assembly by using (2) 1/2"-13 x 3-1/4" HHCS (Item #4) and (2) 1/2"-13 Ny-Flange Lock Nuts (Item #5). Refer to Figure A.

Then, install the Engine Support Arm Assembly (Item #2) onto the Mount Arm Swivel Assembly by using (2) 1" Flat Steel Washer (Item #6) and (1) 1" Bronze Thrust Washer (Item #7). Refer to Figure A.

Note: Some parts and part features have been hidden from view for visual clarity.

Figure A

Item #	Part #	Desc.	Qty.
1	A0242	Engine Support Arm Assy	1
2	A2403	Mount Arm Swivel Assembly	1
3	B2225	Tongue Tube	1
4	K1041	HHCS 1/2"-13 x 3.25" / GR5 / Zinc	2
5	K2012	1/2"-13 Ny-Flange Lock Nut	1
6	K0064	1" Flat Washer 2.020 OD x 1.063 ID	2
7	N5001	1" Thrust Washer / Bronze	1



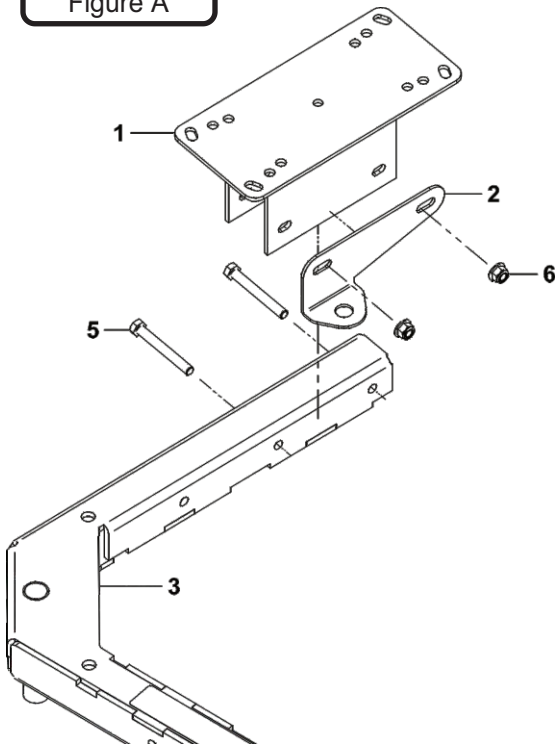
Engine Mount Assembly Installation

Estate Series Unit Instructions

Position and align the bolt holes of the Engine Mount Assembly (Item #1) over the Engine Support Arm Assembly (Item #3). Then, affix the Engine Mount Assembly to the Engine Support Arm Assembly by using (2) 3/8"-16 x 3" HHCS (Item #5). Next, position the Engine Swing Arm Lockout Bracket (Item #2) over the Engine Mount Assy by aligning the bolt holes as shown in Figure A and moving it over the (2) 3/8"-16 x 3" HHCS. Secure the Engine Swing Arm Lockout Bracket to the Engine Mount Assembly and Engine Support Arm Assembly by using (2) 3/8"-16 Ny-Flange Lock Nuts (Item #6).

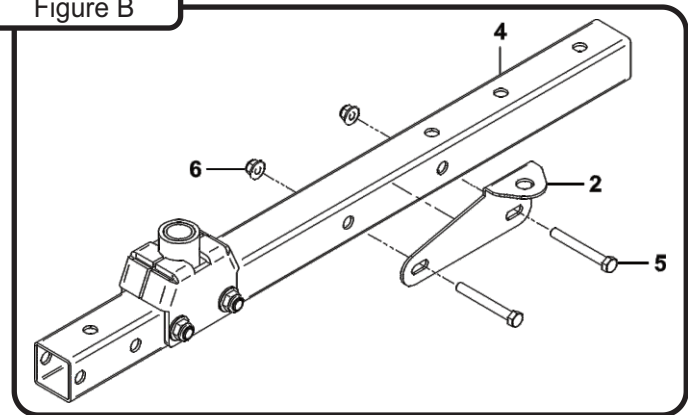
Note: Some parts and part features have been hidden from view for visual clarity.

Figure A



Item #	Part #	Desc.	Qty.
1	A0243	ENGINE MOUNT ASSY.	1
2	B2230	Engine Swing Arm Lockout Bracket	2
3	A0242	Engine Support Arm Assy	1
4	B2225	Tongue Tube	1
5	K1198	3/8"-16 X 3" HHCS	4
6	K2038	Ny-Flange Lock Nut 3/8"-16	4

Figure B



Engine Stay Plate Installation

Estate Series Unit Instructions

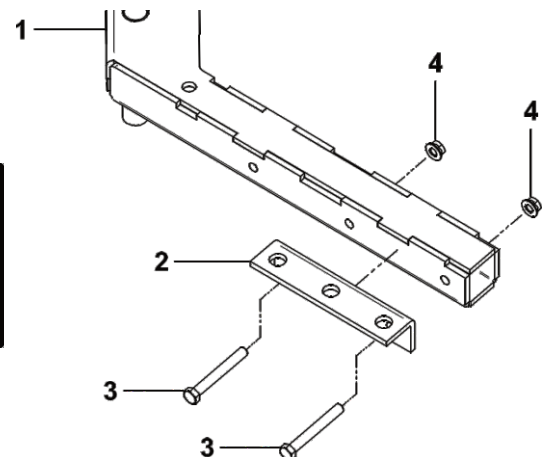
Position the Engine Stay Plate (Item #2) to the Engine Support Arm Assembly (Item #1) and secure the Engine Stay Plate by using (2) 3/8"-16 x 3" HHCS (Item #3) and (2) 3/8"-16 Flange Nuts (Item #4). Refer to Figure A.

The Engine Stay Plate can be positioned along the Engine Support Arm Assy to better secure the Engine Support Arm Assy on the next step.

Note: Some parts and part features have been hidden from view for visual clarity.

Figure C

Item #	Part #	Desc.	Qty.
1	A0242	Engine Support Arm Assy	1
2	B2285	Engine Stay Plate	1
3	K1198	3/8"-16 X 3" HHCS	2
4	K1215	Flange Nut 3/8"-16	2



Ball Clevis Assembly Installation

Estate Series Unit Instructions

Note: The Ball Clevis Assembly (Item #3) will need to be secured onto the rear of your tractor. This may require you to drill a hole in your bumper to procure the securement. You'll need to first position the Ball Clevis Assembly and mark where it'll best fit your tractor. An ideal location would be one easily accessible, clear of obstruction and will not affect the performance of your unit or tractor structurally or functionally.

To install the Ball Clevis Assembly, first, thread (1) 5/8"-11 Hex Nut (Item #2) onto the Adjusting Rod (Item #1) then place the Adjusting Rod into the Ball Clevis Assembly (Item #3). Place the Ball Clevis (Item #6) at the rear end of the Ball Clevis Assy. Then, secure the Ball Clevis by using (1) 3/8"-16 x 2-1/4" HHCS (Item #7) and (1) 3/8"-16 Nyloc Nut (Item #8), refer to the Figure below.

Next, secure the Ball Clevis Assy to the Engine Stay Plate by using (1) Hair Pin Clip (Item #4) and (1) 1/2" Flat Washer (Item #5).

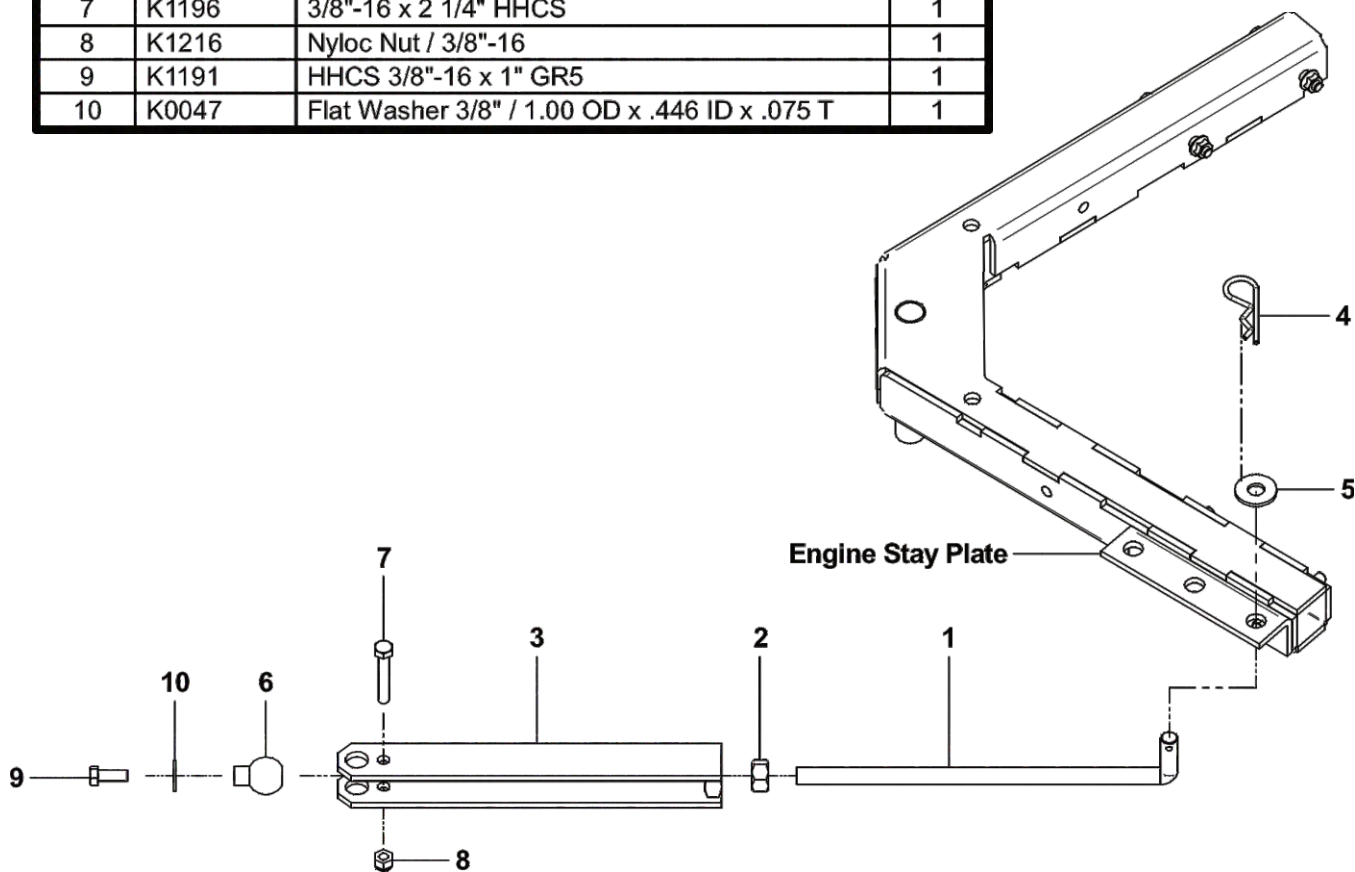
Finally, secure the Ball Clevis to the rear of your tractor using (1) 3/8"-16 x 1" HHCS (Item #9) and (1) 3/8" Flat Washer (Item #10).

The Ball Clevis Assy can be positioned along the Engine Stay Plate to better secure the Engine Support Arm.

Note: Some parts and part features have been hidden from view for visual clarity.

Figure A

Item #	Part #	Desc.	Qty.
1	B4319	5/8"-11 x 12" Adjusting Rod	1
2	K1254	5/8"-11 Hex Nut / GR 5 / Zinc	1
3	A0159	BALL CLEVIS ASSY.	1
4	K0088	Hair Pin Clip 5/32" x 2-5/8" L	1
5	K0055	Flat Washer 1/2" / 1.383 OD x .560 ID x .120 T	1
6	B0132	Ball Clevis	1
7	K1196	3/8"-16 x 2 1/4" HHCS	1
8	K1216	Nyloc Nut / 3/8"-16	1
9	K1191	HHCS 3/8"-16 x 1" GR5	1
10	K0047	Flat Washer 3/8" / 1.00 OD x .446 ID x .075 T	1

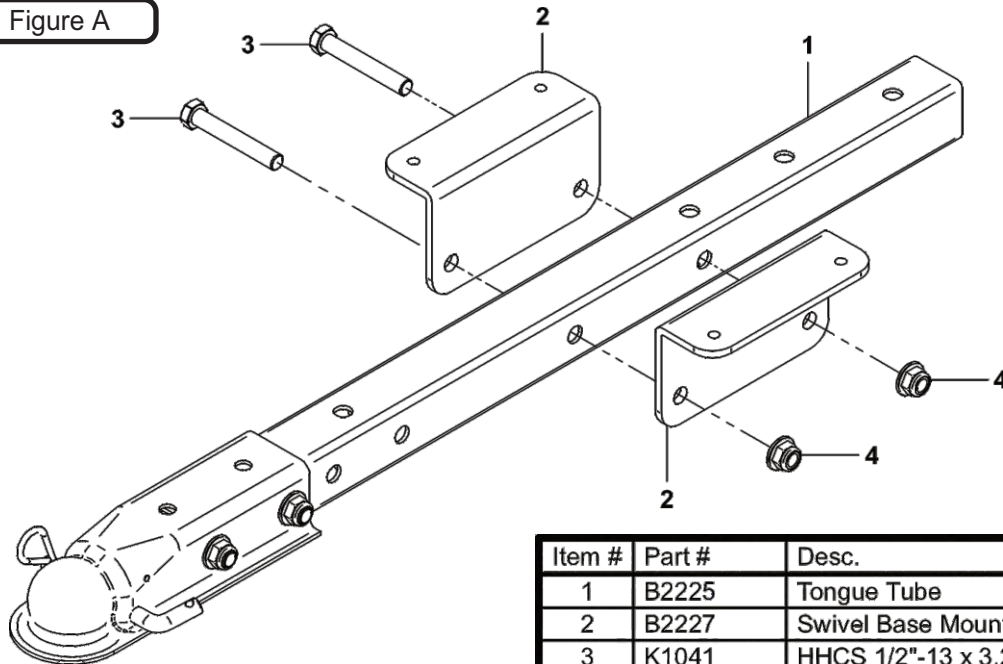


Swivel Base Mount Installation

Pasture Vac Unit Instructions

Position and align (2) Swivel Base Mount Brackets (Item #2) on either side of the Tongue Tube (Item #1). Secure the Swivel Base Mount Brackets by using (2) 1/2"-13 x 3-1/4" HHCS (Item #3) and (2) 1/2"-13 Ny-Flange Lock Nuts (Item #4). Refer to Figure A.

Figure A



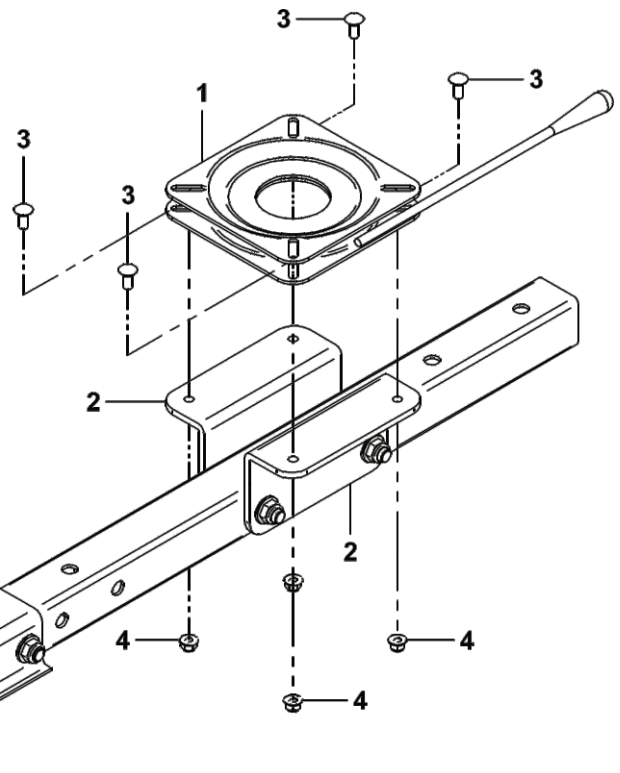
Item #	Part #	Desc.	Qty.
1	B2225	Tongue Tube	1
2	B2227	Swivel Base Mount	2
3	K1041	HHCS 1/2"-13 x 3.25" / GR5 / Zinc	2
4	K2012	1/2"-13 Ny-Flange Lock Nut	2

Swivel Base Installation

Pasture Vac Unit Instructions

Position the Swivel Base (Item #1) over the (2) Swivel Base Mount Brackets (Item #2) and align their bolt holes. Secure the Swivel Base by using (4) 5/16"-18 x 3/4" Carriage Bolts (Item #3) and (4) 5/16"-18 Ny-Flange Lock Nuts (Item #4). Refer to Figure B.

Figure B



Item #	Part #	Desc.	Qty.
1	J0034	Swivel Base	1
2	B2227	Swivel Base Mount	2
3	K1142	5/16"-18 x 3/4" Carriage Bolt	4
4	K2516	Ny-Flange Lock Nut 5/16"-18	4

Engine Mount Swivel Adapter Installation

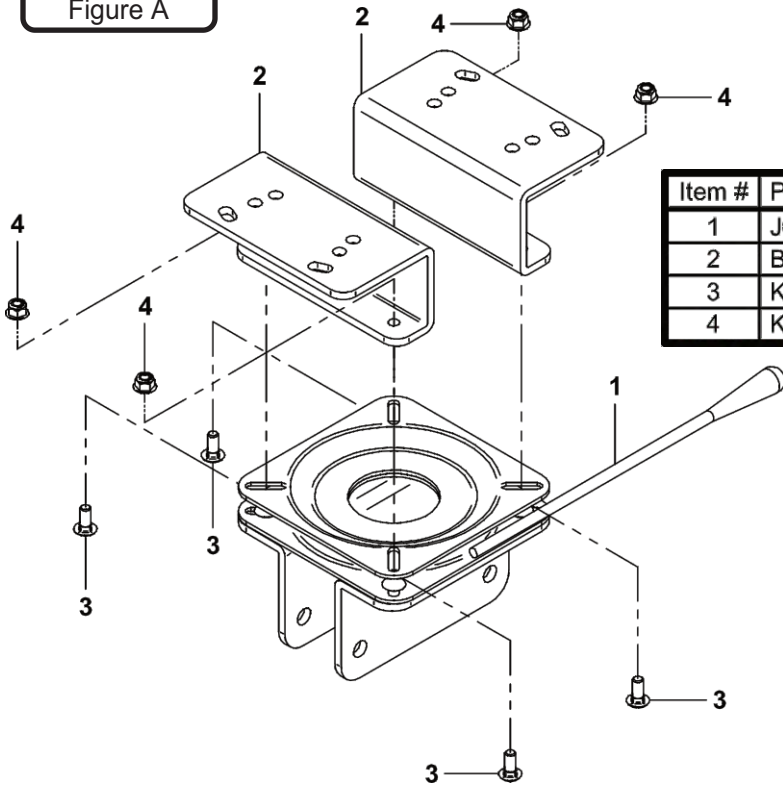
Pasture Vac Unit Instructions

Position the (2) Engine Mount Swivel Adapters (Item #2) over the Swivel Base (Item #1) while aligning their mounting holes. Secure the Engine Mount Swivel Adapter by using (4) 5/16"-18 x 3/4" Carriage Bolts (Item #3) and (4) 5/16"-18 Ny-Flange Lock Nuts (Item #4). Refer to Figure A.

Rotating the Swivel Base (Item #1) by 45° will better position the mount holes for ease of installation. See Figure B.

Note: Some parts and part features have been hidden from view for visual clarity.

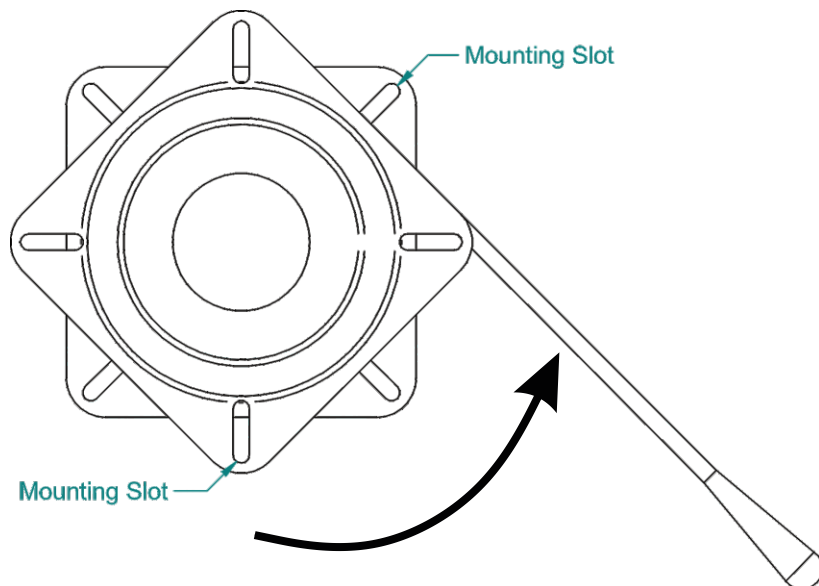
Figure A



Item #	Part #	Desc.	Qty.
1	J0034	Swivel Base	1
2	B2228	Engine Mount Swivel Adapter	2
3	K1142	5/16"-18 x 3/4" Carriage Bolt	4
4	K2516	Ny-Flange Lock Nut 5/16"-18	4

Figure B

Rotate Swivel Base
by 45° for ease
of installation



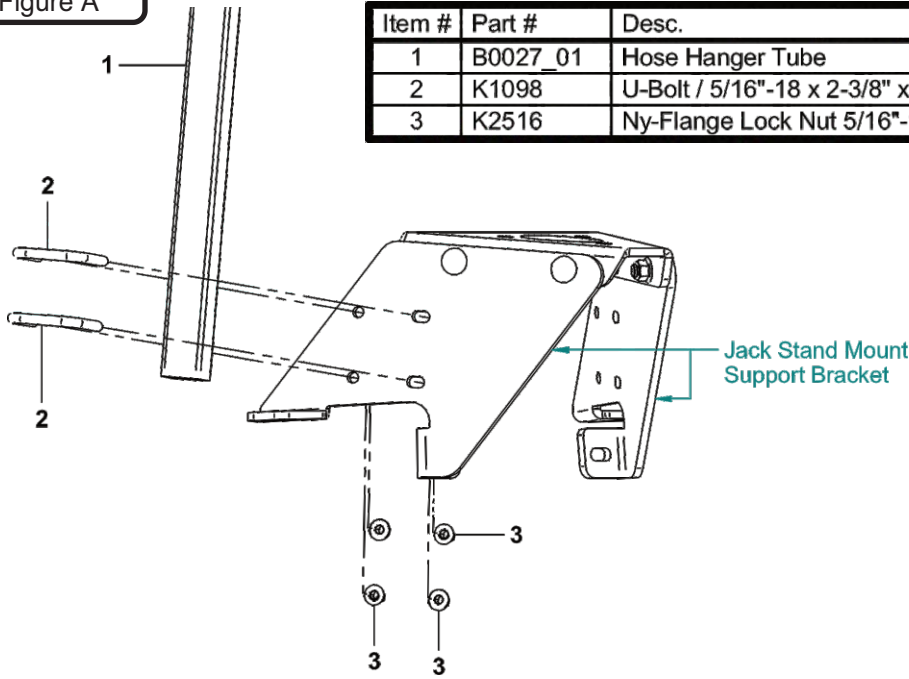
Hose Hanger Installation

Pasture Vac Unit Instructions

The Hose Hanger (Item #1) is installed on the side of the Jack Stand Mount Support Bracket, refer to Figure A. Position the Hose Hanger between bolt holes as shown in Figure A and secure the Hose hanger by using (2) 5/16"-18 x 2-3/8" U-Bolts (Item #2) and (4) 5/16"-18 Ny-Flange Lock Nuts (Item #3).

Note: Some parts and part features have been hidden from view for visual clarity.

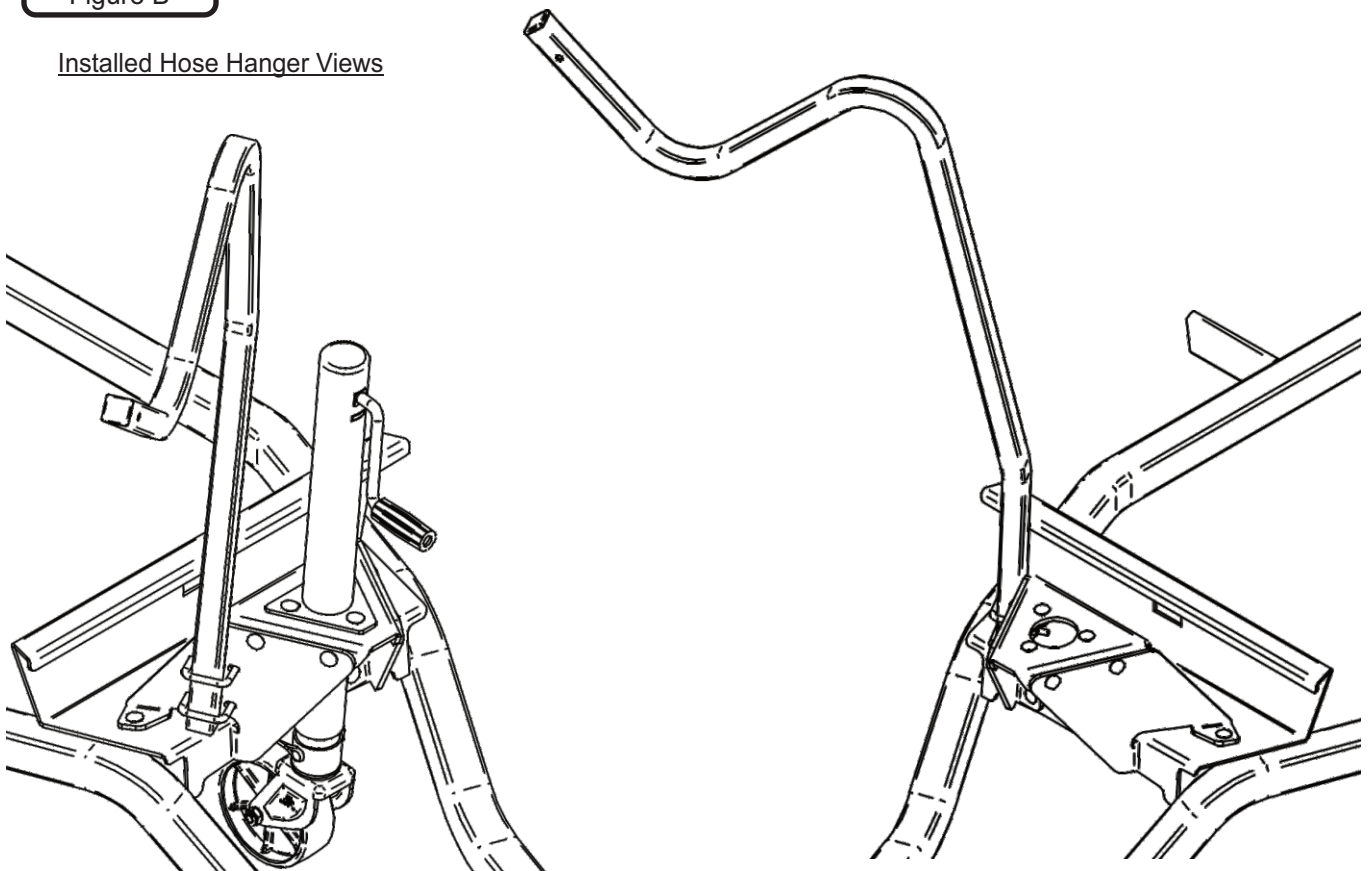
Figure A



Item #	Part #	Desc.	Qty.
1	B0027_01	Hose Hanger Tube	1
2	K1098	U-Bolt / 5/16"-18 x 2-3/8" x 1-3/4"	2
3	K2516	Ny-Flange Lock Nut 5/16"-18	4

Figure B

Installed Hose Hanger Views

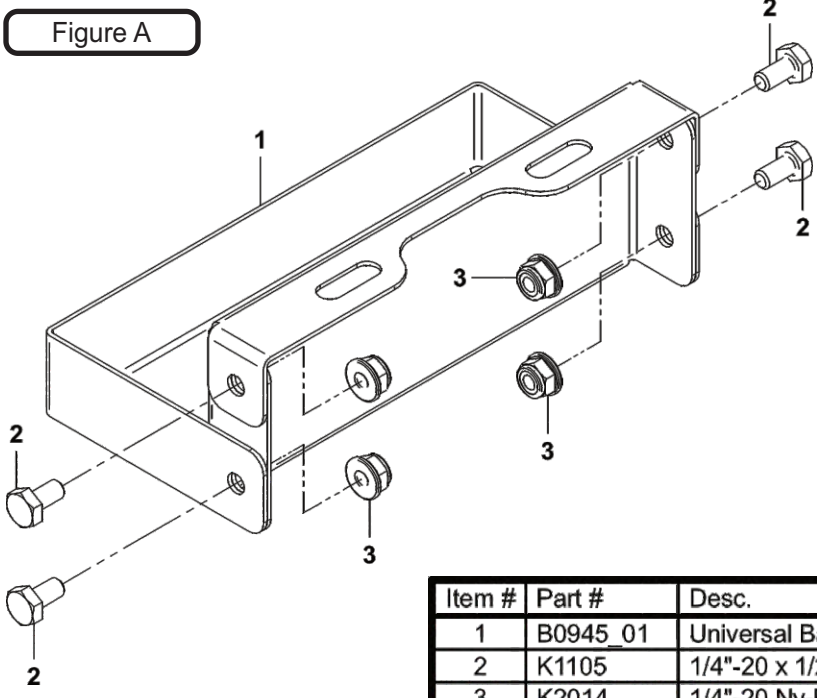


Universal Battery Kit Installation

Pasture Vac Unit Instructions

Your Universal Battery Box (Item #1) will need to be assembled before installing the Universal Battery Kit.

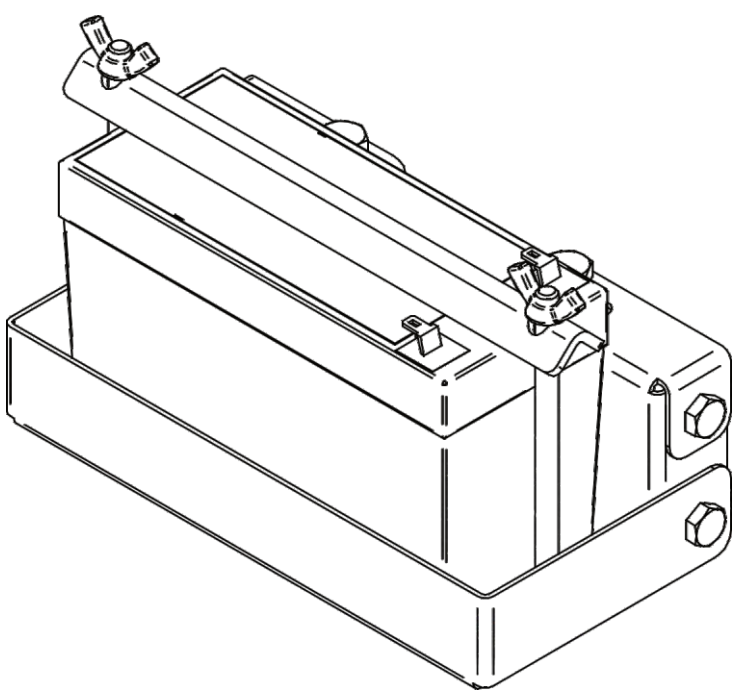
First, make sure your bolt holes on each tab are aligned with the holes on the base body. Then secure the tabs to the body by using (4) 1/4"-20 x 1/2" HHCS (Item #2) and (4) 1/4"-20 Ny-Flange Lock Nuts (Item #3) on each tab. Refer to Figure A below.



Item #	Part #	Desc.	Qty.
1	B0945_01	Universal Battery Box	1
2	K1105	1/4"-20 x 1/2" HHCS	4
3	K2014	1/4"-20 Ny-Flange Lock Nut	4

Figure B

Fully Assembled
Universal Battery Kit
P#(A2326)



Universal Battery Kit Installation (Cont.)

Position the Battery Box (Item #2) over the Rubber Shock Absorber (Item #5) and over the Swivel Adapter of the Tongue Tube, See Figure A. Secure the Battery Box by using (2) 5/16"-18 x 3/4" HHCS (Item #7) and (2) 5/16"-18 Ny-Flange Lock Nuts (item #8).

Next, place the Battery (Item #2) in the Battery Box and secure the Battery by using (1) Battery Clamp (Item #3), (2) 1/4"-20 x 4-1/2" Carriage Bolts (Item #5) and (2) 1/4"-20 Wing Nuts (Item #6). Be Sure the Battery Clamp is positioned between the battery's positive (+) and negative (-) terminal to prevent any possibility for the battery to arc. Refer to the Figures Below.

Note: Some parts and part features have been hidden from view for visual clarity.

Figure A

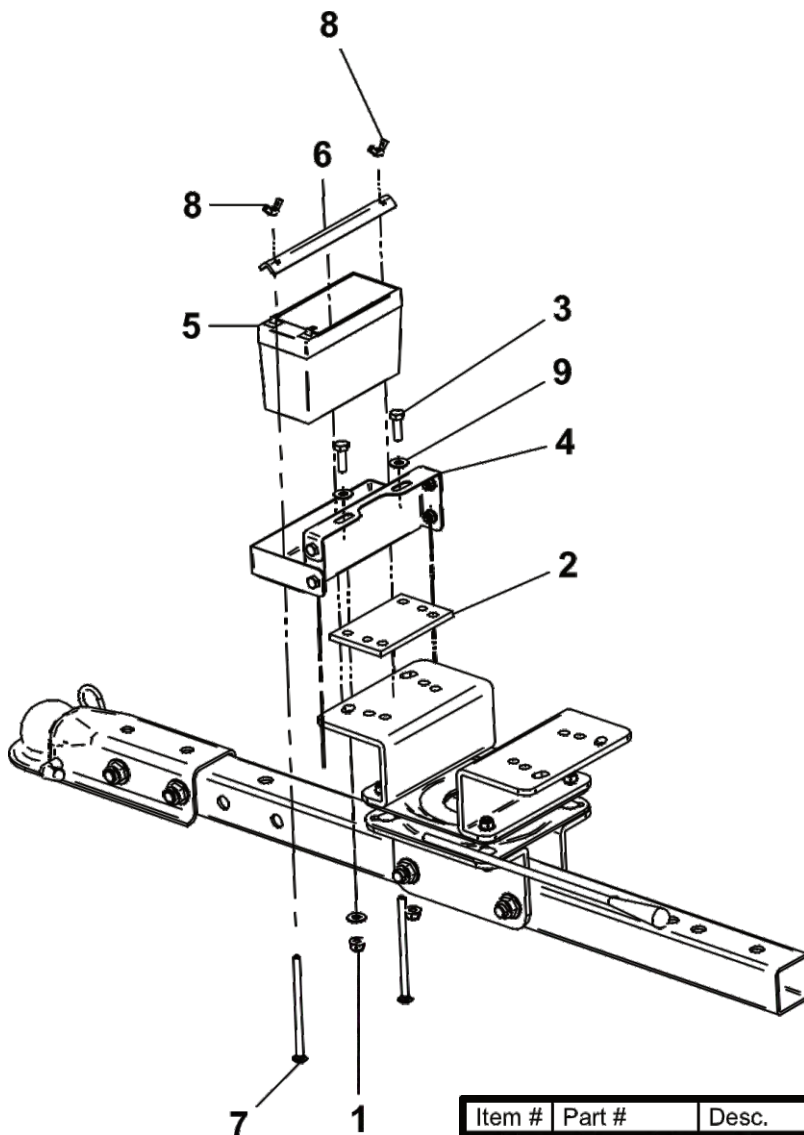
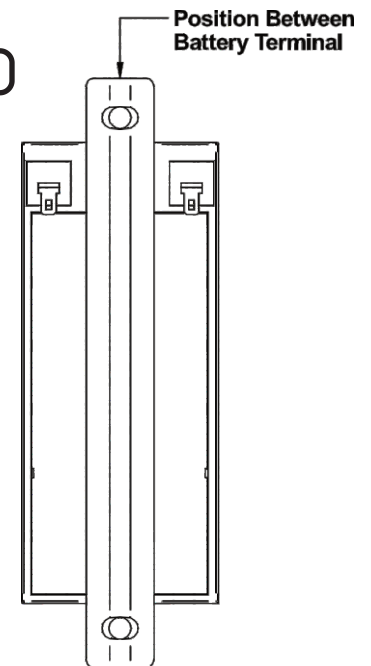


Figure B

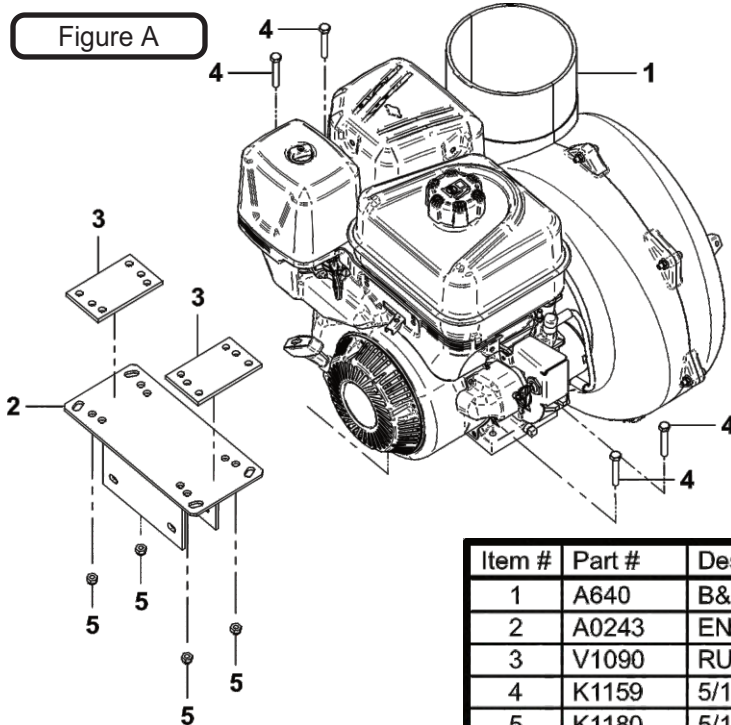


Item #	Part #	Desc.	Qty.
1	K2516	Ny-Flange Lock Nut 5/16"-18	10
2	V1090	Rubber Shock Absorber	1
3	K1154	HHCS 5/16"-18 x 1"	2
4	B0945_01	Universal Battery Box	1
5	J1201	Power Sprayer Battery	1
6	C0118	Battery Clamp / Universal	1
7	K1499	Carriage Bolt / 1/4"-20 x 4-1/2" All Thd.	2
8	K1129	1/4"-20 Wing Nut	2
9	K0037	Flat Washer / 1/4" (.75 OD x .312 ID x .060 T)	4

Engine Installation

First, place (2) Rubber Shock Absorbers (Item #3) on top of the Engine Mount Assembly (Item #2) aligning the bolt holes. Next, position the Engine Assembly (Item #1) on top of the Shock Absorbers aligning the bolt holes of all the parts. Finally, secure the Engine by using (4) 5/16"-18 x 2" HHCS (Item #4) and (4) 5/16"-18 Nyloc Nuts (Item #5). Refer to Figure A.

Note: Estate Series shown below. Some parts and part features have been hidden from view for visual clarity.



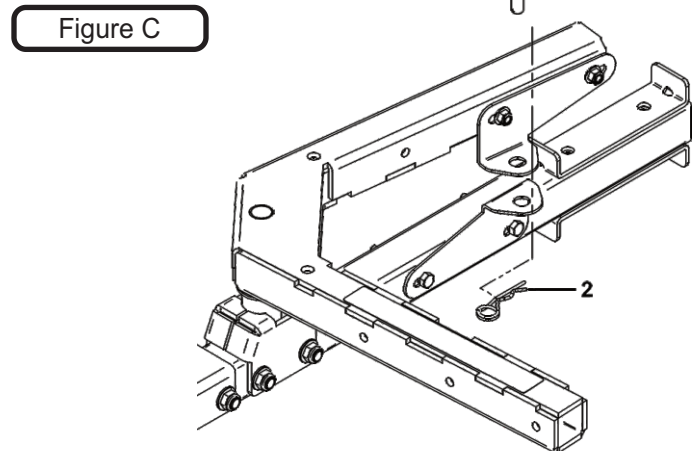
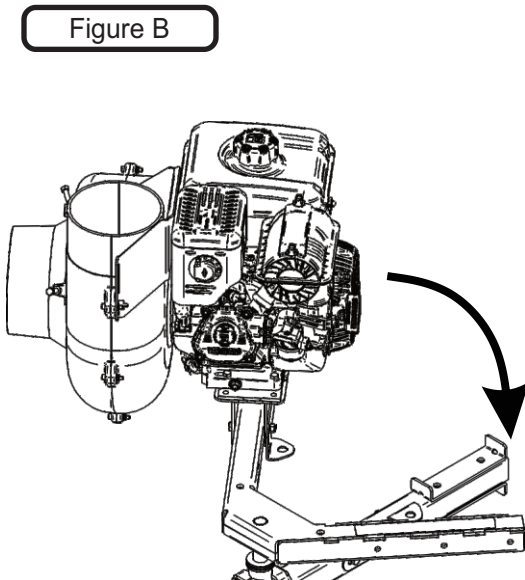
Item #	Part #	Desc.	Qty.
1	A640	B&S 14HP Vanguard Blower/Blade Assembly	1
2	A0243	ENGINE MOUNT ASSY.	1
3	V1090	RUBBER SHOCK ABSORBER	2
4	K1159	5/16"-18 x 2" All Thread HHCS	4
5	K1180	5/16"-18 Nyloc Nut	4

Engine Swing Lockout Instructions

Estate Series Unit Instructions

First, remove the Lower Hose from the Blower Cone on the Engine Assembly. Then, swing the Engine Support Arm Assy towards the center of the Tongue Assembly and lower the Adjustable Jack Assembly until the Trailer Vac is slightly elevated and the Hitch Pin, securing the Trailer Vac, can move freely. Next, Align the top and bottom Engine Swing Arm Lockout Brackets and finally, secure the (2) Engine Swing Arm Lockout Brackets together using the Hitch Pin Assembly (Item #1) and Hair Pin Cotter (Item #2). Refer to Figure B & C.

Note: Some parts and part features have been hidden from view for visual clarity.



Item #	Part #	Desc.	Qty.
1	A0312	Hitch Pin Weldment	1
2	K1478	Hair Pin Cotter / Double Loop	1

Wiring Harness Installation

To connect the Wiring Kit P#(A2152), connect the 4 gage Red Wire P#(P0620) to the positive (+) terminal of the starter solenoid on the engine. Route the Red Wire from the solenoid to the positive (+) terminal of the battery.

Connect the 4 gage Black Wire P#(P0621) to one of the mounting bolt holes located on the bottom of the engine. Route the black wire from the bolt hole to the negative (-) terminal of the battery.

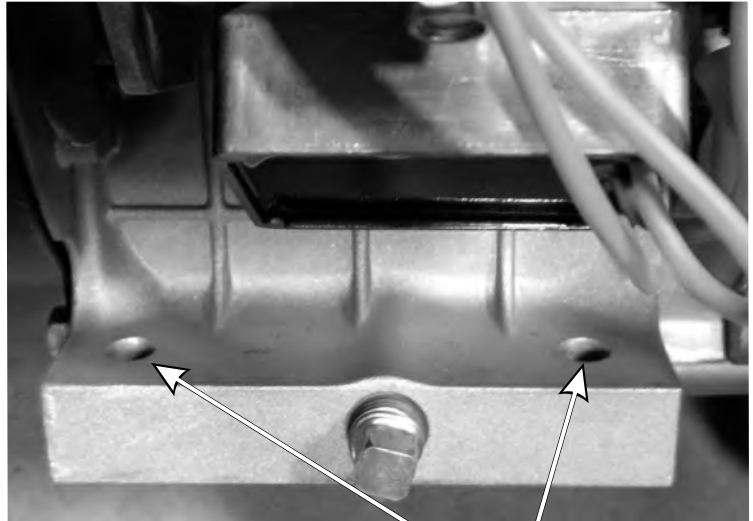
Refer to the Figures below for your respective engine.

Once the wires are properly routed, test start the engine. If working properly, secure the wiring with the provided Zip Ties P#(J0245).

14HP Vanguard

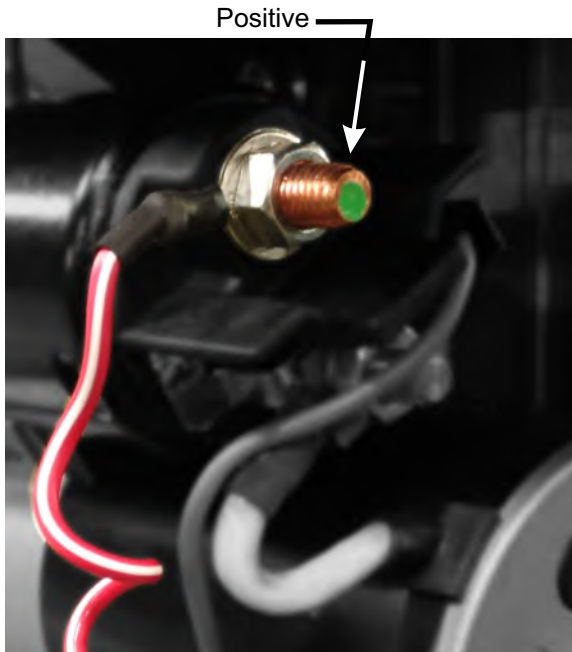


Positive (+) Terminal
Connection (Solenoid)

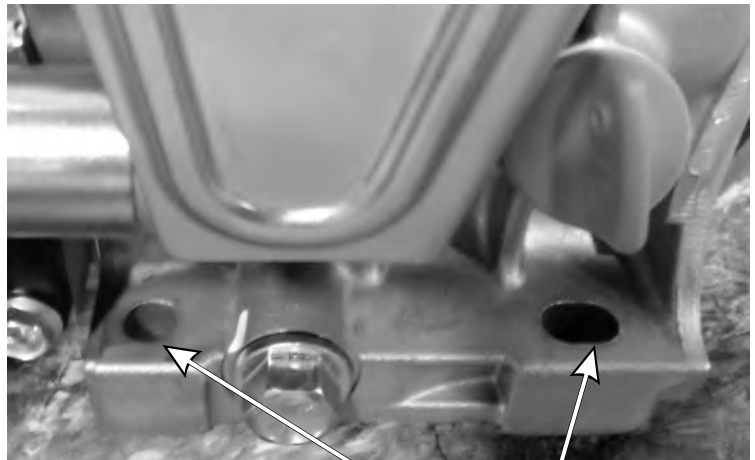


Negative (-) Terminal
Connection
(Engine Block)

7HP Yanmar



Positive



Negative (-) Terminal
Connection
(Engine Block)

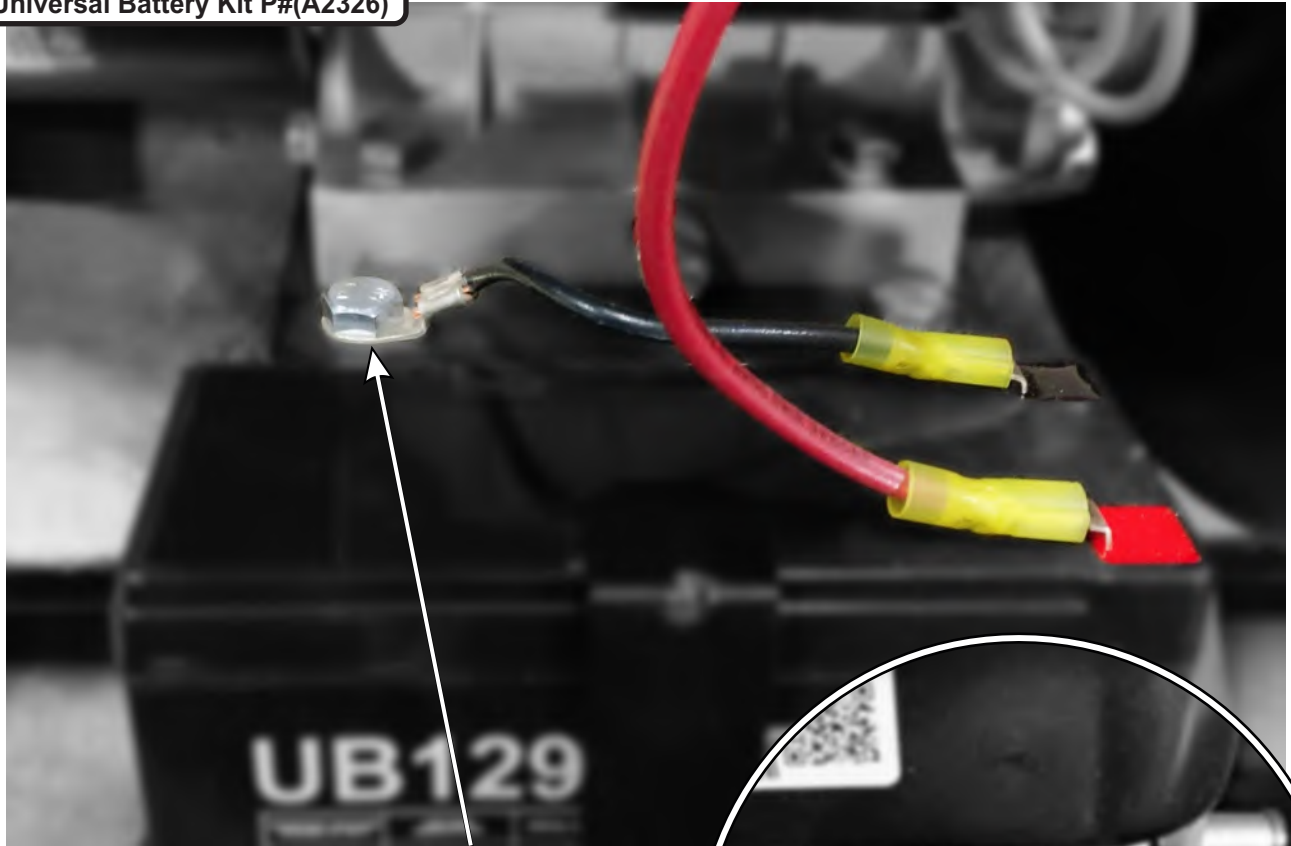
Wiring Harness Installation (Cont.)

Pasture Vac Unit Instructions

To connect the Wiring Harness, connect the 10 gage Red Wire P#(P0278) from the positive (+) terminal of the starter solenoid located on the front end of the engine to the positive (+) terminal of the battery. Refer to the Figure below.

Then, connect the 10 gage Black Wire P#(P0279) from one of the mounting bolt holes located on the bottom of the engine or one of the bolt holes located on the Engine Mount Arm to the negative (-) terminal of the battery. Refer to the Figure below.

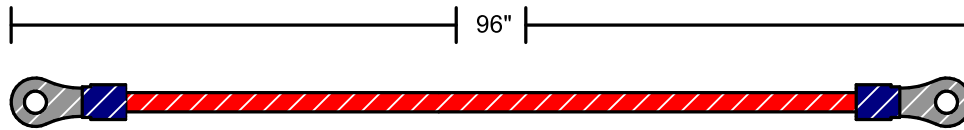
Universal Battery Kit P#(A2326)



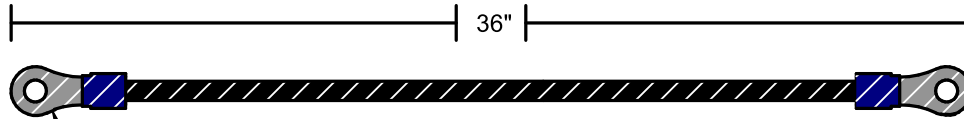
Negative (-) Terminal
Connection
(Engine Mount Arm)

Positive (+) Terminal
Connection (Solenoid)

Wiring Harness Installation (Cont.)



HARNESS #:P0620
RED (4 AWG) w/ 5/16" RING TERMINAL
FROM BATTERY POSITIVE "+" TO STARTER SOLENOID "+"

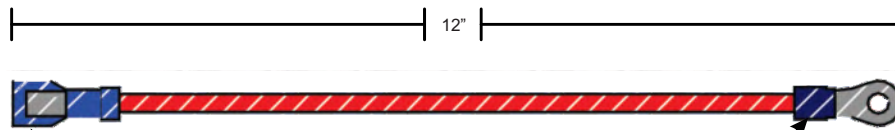


HARNESS #:P0621
BLACK (8 AWG) w/ 5/16" RING TERMINAL
FROM BATTERY NEGATIVE "-" TO ENGINE BLOCK "-"

P#:P0076
5/16" BATTERY RING TERMINAL

Pasture Vac Units - Universal Battery Kit P#(A2326)

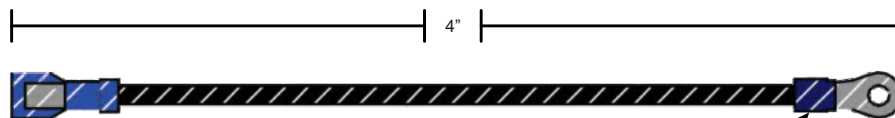
HARNESS #:P0278
RED (10 AWG) w/ 5/16" RING TERMINAL
FROM BATTERY POSITIVE "+" TO STARTER SOLENOID "+"



P#:P0077
FEMALE CONNECTOR
BATTERY POSITIVE (+) TERMINAL

P#:P0076
5/16" RING TERMINAL
STARTER SOLENOID (+)

HARNESS #:P0279
BLACK (10 AWG) w/ 5/16" RING TERMINAL
FROM BATTERY NEGATIVE "-" TO ENGINE BLOCK



P#:P0077
FEMALE CONNECTOR
BATTERY NEGATIVE (-) TERMINAL

P#:P0076
5/16" RING TERMINAL
ENGINE MOUNT ARM

Jack Stand Assembly & Installation

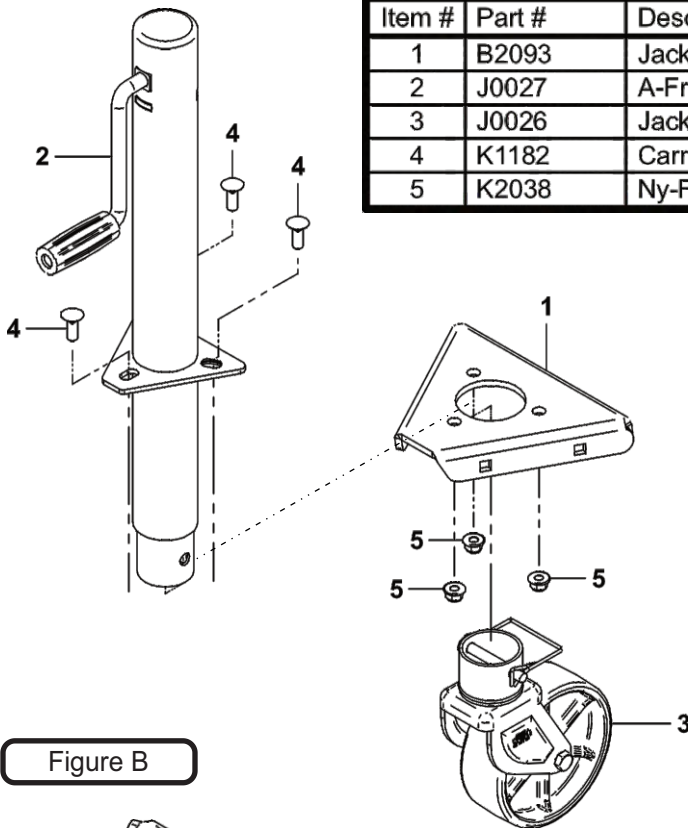
The following procedure is the same for both Jack Stand configurations: P#(A2332) - Jack Stand Assy / Jack Foot or P#(A2333) - Jack Stand Assy / Caster Wheel.

First, install the A-Frame Jack (Item #2) to the top of the Jack Mount Bracket (Item #1) by using (3) 3/8"-16 x 1" Carriage Bolts (Item #4) and (3) 3/8"-16 Ny-Flange Lock Nuts (Item #5). Then install the Jack Caster Wheel (Item #3) to the A-Frame Jack. See Figure A.

Once the Jack is assembled to the Jack Mount Bracket, install the Left Mount Support Bracket (Item #2) to the Jack Mount Bracket by using (2) 3/8"-16 x 1" Carriage Bolts (Item #4) and (3) 3/8"-16 Ny-Flange Lock Nuts (Item #5). See Figure B. Repeat the same process for the Right Mount Support Bracket (Item #3).

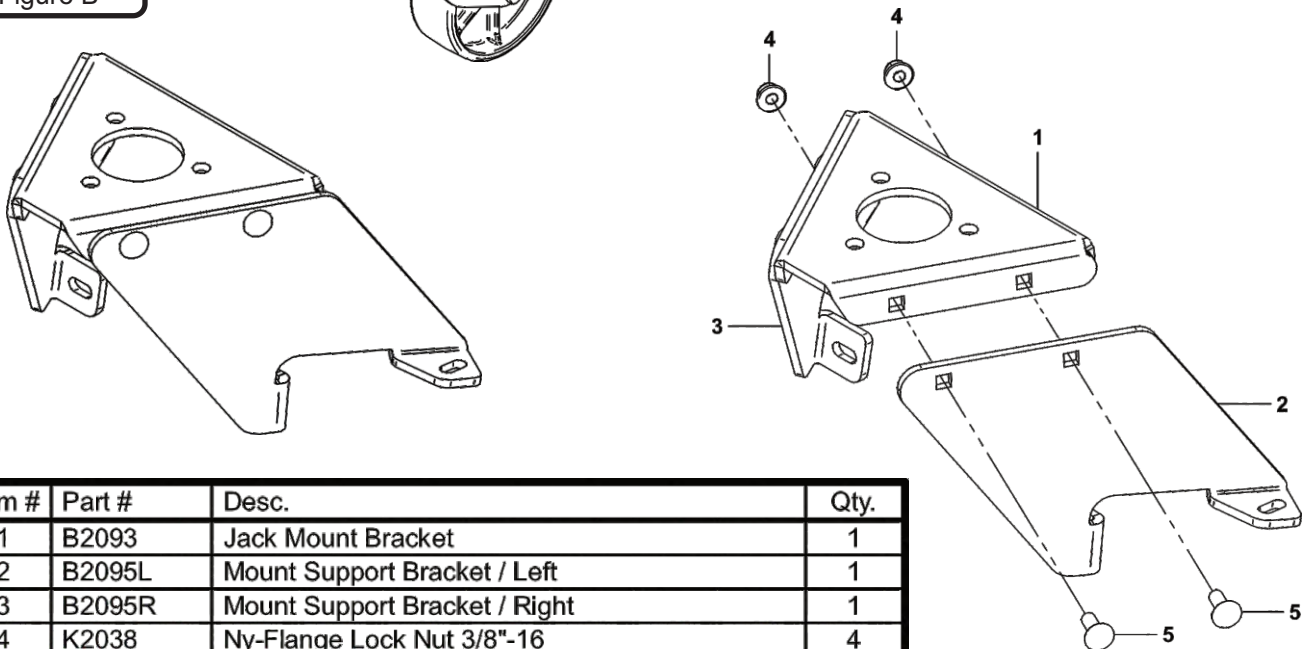
Note: Some parts and part features have been hidden from view for visual clarity.

Figure A



Item #	Part #	Desc.	Qty.
1	B2093	Jack Mount Bracket	1
2	J0027	A-Frame Jack	1
3	J0026	Jack Caster Wheel Assembly	1
4	K1182	Carriage Bolt 3/8"-16 x 1"	3
5	K2038	Ny-Flange Lock Nut 3/8"-16	3

Figure B



Item #	Part #	Desc.	Qty.
1	B2093	Jack Mount Bracket	1
2	B2095L	Mount Support Bracket / Left	1
3	B2095R	Mount Support Bracket / Right	1
4	K2038	Ny-Flange Lock Nut 3/8"-16	4
5	K1182	Carriage Bolt 3/8"-16 x 1"	4

Jack Stand Assembly & Installation (Cont.)

The Jack Mount Kit (Item #1) in Figure D is part of the Jack Stand Assy for both configurations previously mentioned, refer to page 29.

First, align the mount holes of the Jack Mount Kit (Item #1) to those located on the Base Frame Cross Support of the Base Frame Assembly. See Figure C & Figure D.

Install the Jack Stand Assy to the Base Frame Cross Support by using (2) 3/8"-16 x 1" Carriage Bolts (Item #2) and (2) 3/8"-16 Ny-Flange Lock Nuts (Item #3) on the top of the Jack Stand Assy and another set to the front of the Jack Stand Assy. Refer to Figure D below.

Note: Some parts and part features have been hidden from view for visual clarity.

Figure C

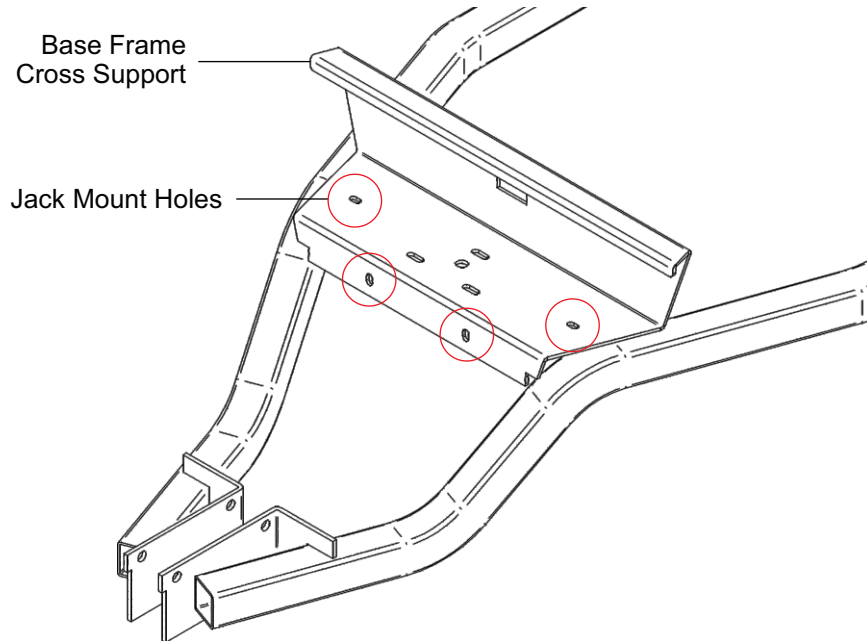
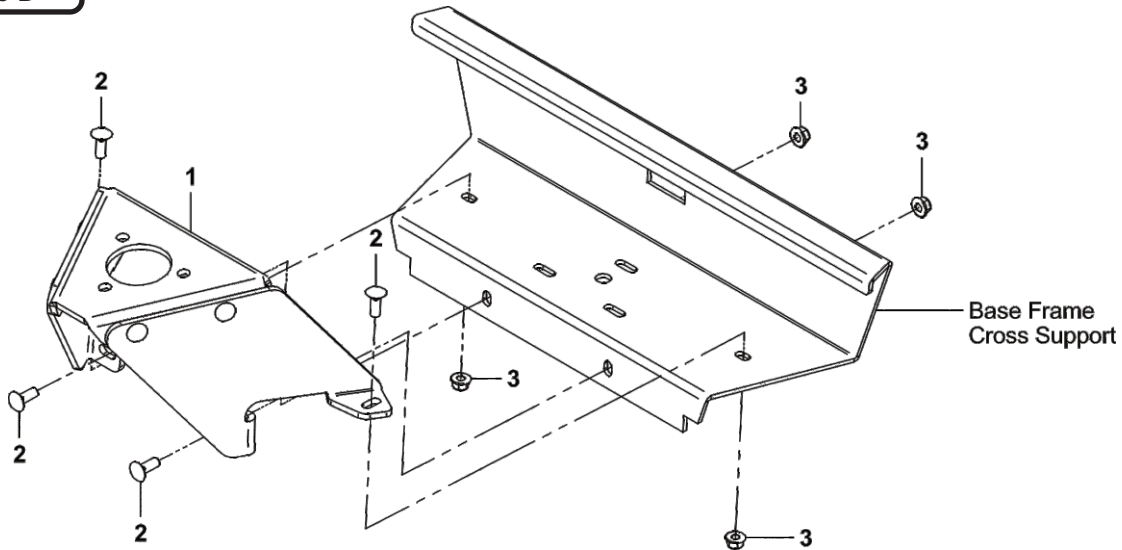


Figure D



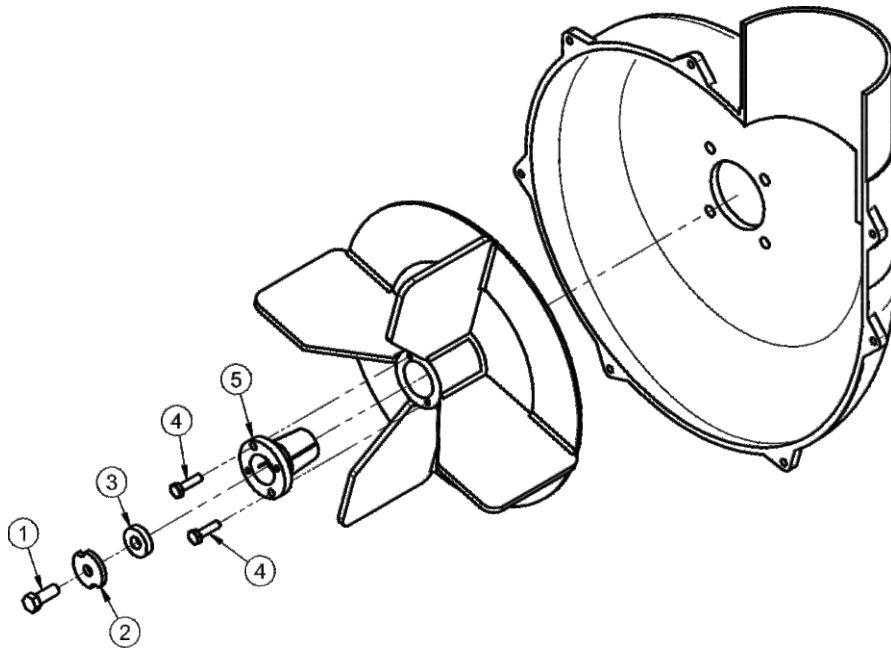
Item #	Part #	Desc.	Qty.
1	A2330	Jack Mount Kit / 50 Trailer Vac	1
2	K1182	Carriage Bolt 3/8"-16 x 1"	4
3	K2038	Ny-Flange Lock Nut 3/8"-16	4

Impeller Blade Removal/Replacement

To Remove: First, remove the 3/8"-24 x 1" GR8 HHCS P#(K0003) (#1), 3/8" Double Indented Washer P#(K0284) (#2) and (1) Tapered Washer P#(K0277) (#3) from the Taper-Lock Bushing P#(S4302) (#5). Next remove the (2) 1/4"-20 x 1" HHCS P#(K1225) (#4) and place them into the threaded holes of the Taper-Lock Bushing (#5). Gradually thread each bolt evenly into the Taper-Lock Bushing, forcing the blade to break-away from the Taper-Lock Bushing. If the Impeller will not move, carefully hit the base of the Impeller, between each vein, with a hammer, then try again.

To Replace: Firstly, start by applying anti-seize to the 3/8"-24 x 1" GR8 HHCS (#1) and set it aside. Then, place the Impeller Blade over the engine shaft. Slide the Taper-Lock Bushing (#5) on to the engine shaft and into the Impeller Blade, aligning the **non-threaded** holes of the Taper-Lock Bushing to the threaded holes of the Impeller Blade. Fasten by using (2) 1/4"-20 x 1" HHCS (#4), (1) Tapered Washer (#3), (1) 3/8" Double Indented Washer (#2), and (1) 3/8"-24 x 1" GR8 HHCS (#1). Torque to the proper specifications in the torque chart on the back of this manual. Next, rotate the Impeller Blade to ensure that the blade is clear of contact on all sides of the blower housing.

Figure A



Blower Cone Installation

Thread (1) 5/16"-18 Jam Nut P#(K0120) onto each end of (2) 5/16"-18 x 2-1/2" HHCS P#(K0125), refer to Figure A. Next, partially thread (1) bolt into each of the two threaded bosses located on the Blower Housing. Position the Blower Cone so the tabs line up with the bolts and tighten completely, refer to Figure B. Once the (2) bolts are tight, tighten the Jam Nuts against the threaded boss, refer to Figure C. See Figure D for proper Blower Cone installation.

Figure A

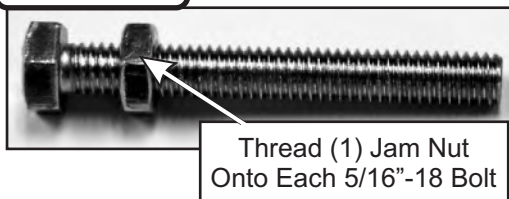


Figure C

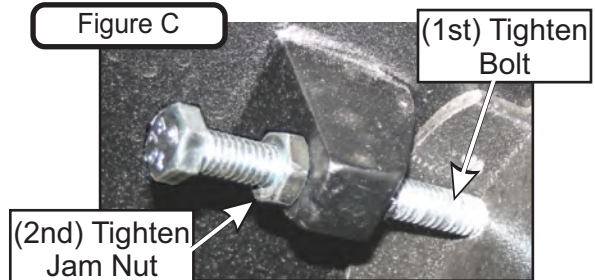


Figure B

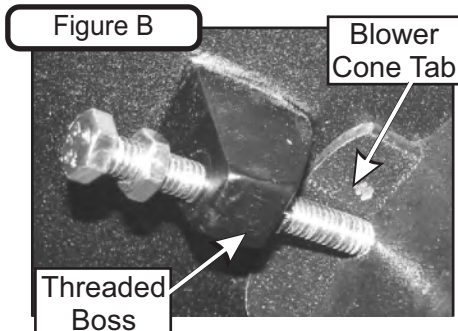
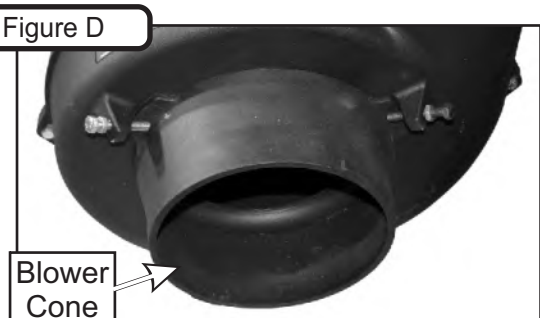


Figure D



Hose Guard Installation

For Briggs & Stratton Engine Option

Your Engine Drive will require a Hose Guard (Item #1) to be installed, this will prevent any heat transfer from the engine exhaust to the Upper Hose.

To install the Hose Guard, align the bolt holes of the Hose Guard (Item #1) to those located on the Blower Housing, refer to Figure A. Once aligned and position, secure the Hose Guard by using (2) 1/4"-20 x 1-1/4" HHCS GR8 (Item #2) and (2) 1/4"-20 Flange Nuts (Item #3).

Note the position of the Hose Guard relative to the position of the Blower Housing.

Note: Some parts and part features have been hidden from view for visual clarity.

Figure A

Item #	Part #	Desc.	Qty.
1	C0096	Hose Guard / Engine Drive	1
2	K1402	1/4"-20 x 1-1/4" SHCS / Zinc / GR8	2
3	K1126	Flange Nut 1/4"-20	2

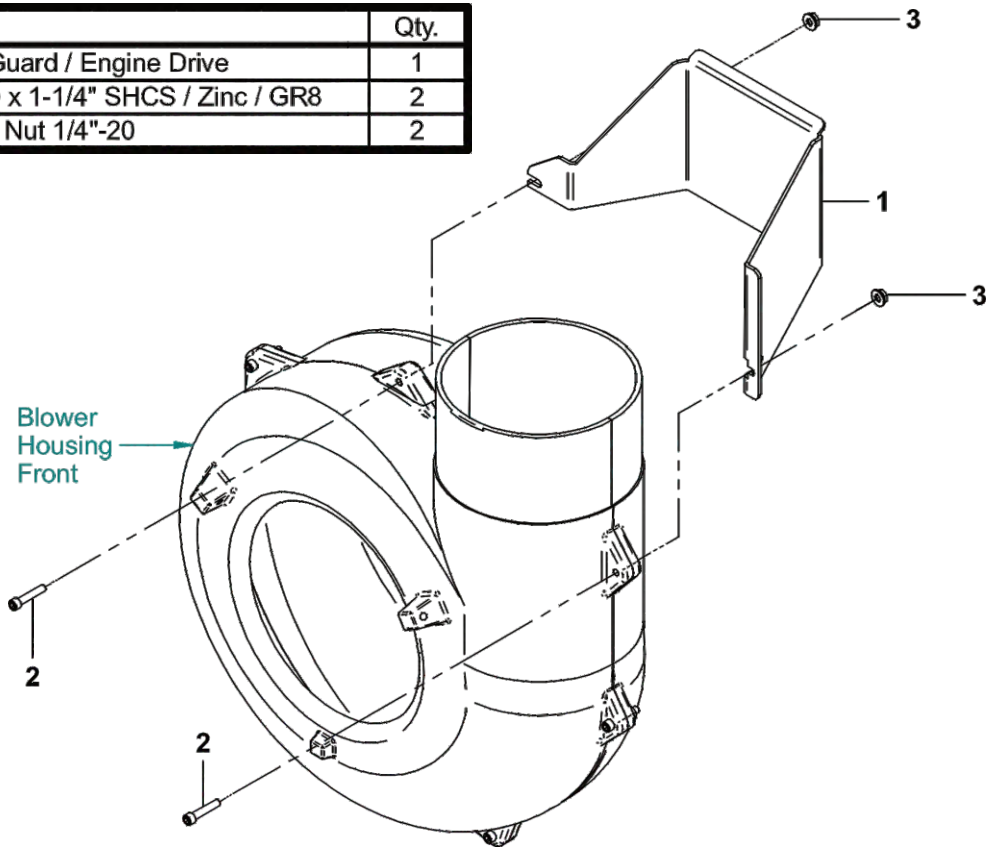
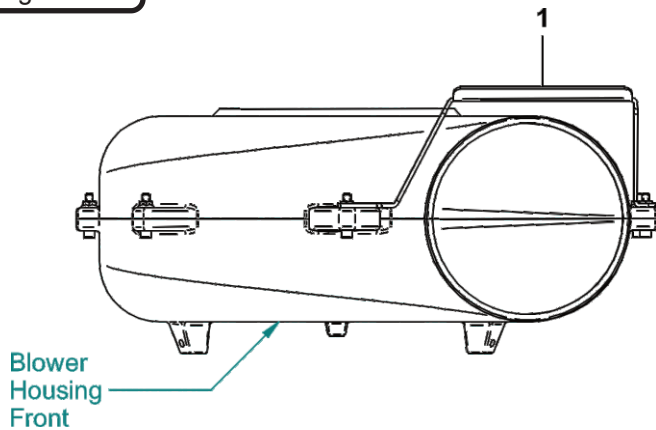


Figure B



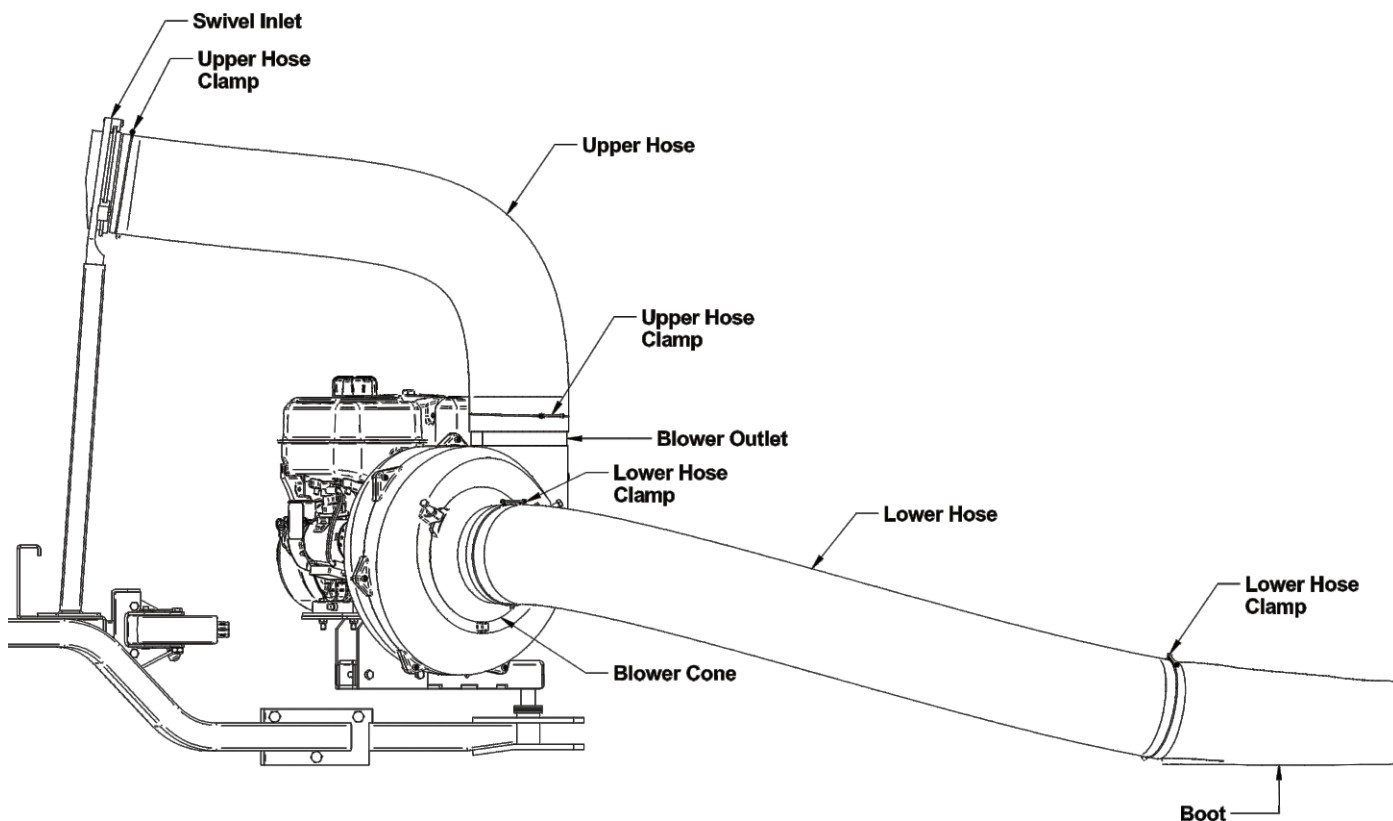
Installed Hose Guard - Top View

Length Of Hose Adjustment

The hoses in the following steps must be cut to fit your machine. Do not cut the hoses until you have tried to fit them on your machine. Remember that the hoses need to be long enough to allow for the opening and closing of the collection system as well as allowing ample clamping surface between each component.

Upper Hose Installation

Slide a Hose Clamp P#(J0060) / P#(J0070) over one end of the 6" or 7" Upper Hose. Secure this end of the Upper Hose to the Blower Outlet. See Figure below for details. Secure opposite end of the Upper Hose to the Swivel Inlet. Make sure both ends are securely fastened by tightening the Hose Clamp.



Additional Instructions for Estate Series Units

Lower Hose To Blower Cone Installation

Slide a Hose Clamp P#(J0070) over both ends of the Lower Hose. Secure one end of the Lower Hose to the Blower Cone and fasten by tightening the Hose Clamp.

Lower Hose To Boot Installation

Take the unattached end of the Lower Hose and secure it to the circular end of the Boot and fasten by tightening the Hose Clamp.

Tip: Before securing Hose Clamp fully, rotate Lower Hose counter-clockwise (away from yourself) approximately 1" to aid in retaining Boot to mower deck.

Wand Kit Installation

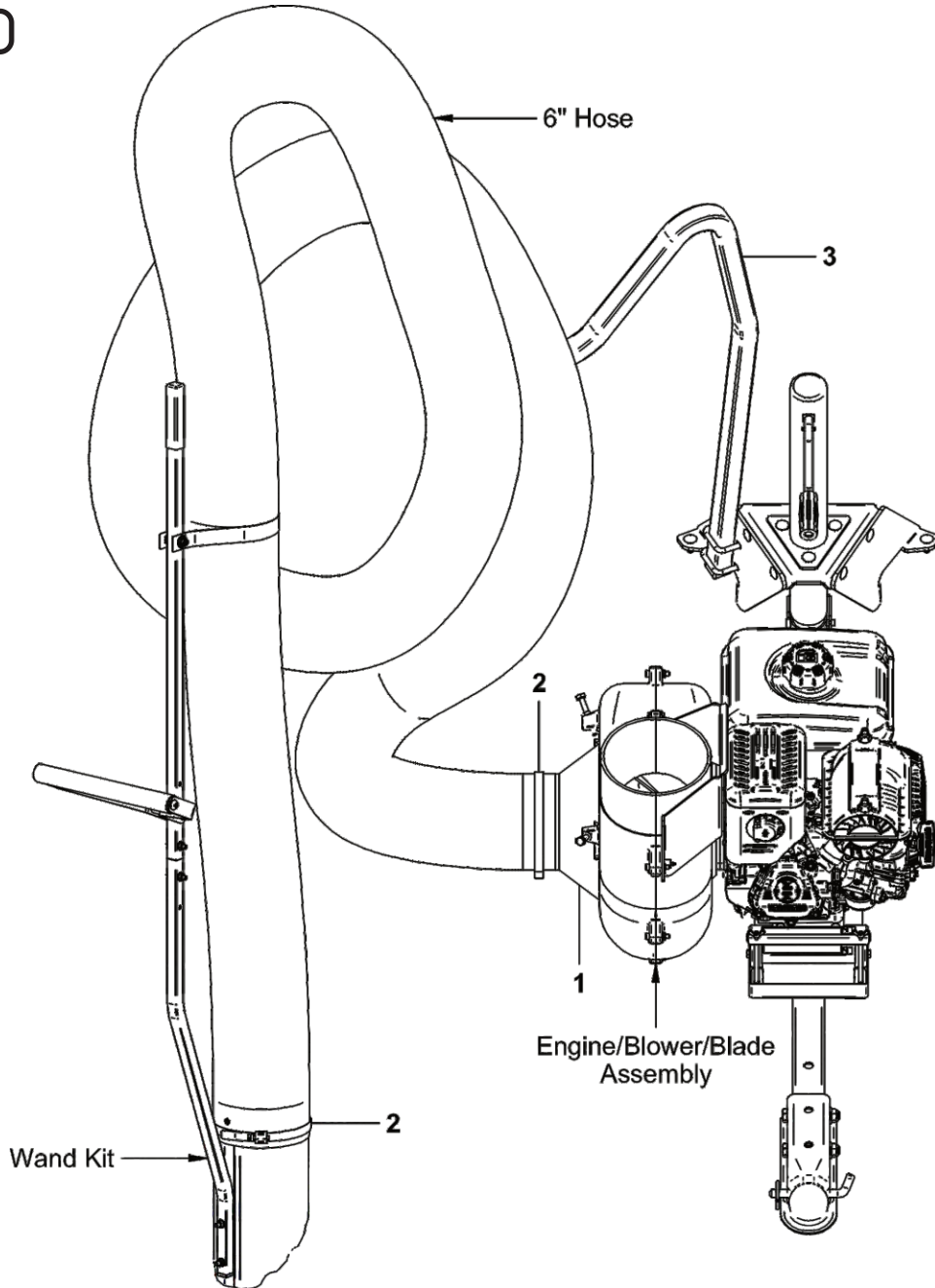
Pasture Vac Unit Instructions

Install one end of the 6" Hose over the Blower Cone (Item #1) by using (1) 6" Hose Clamp (Item #2). Secure the other end over the Nose Cone of the Wand Kit by using (1) 6" Hose Clamp (Item #2). Refer to Figure A.

Once installed, the 6" Hose can be stored by wrapping it around the Hose Hanger (Item #3) as shown in Figure A.

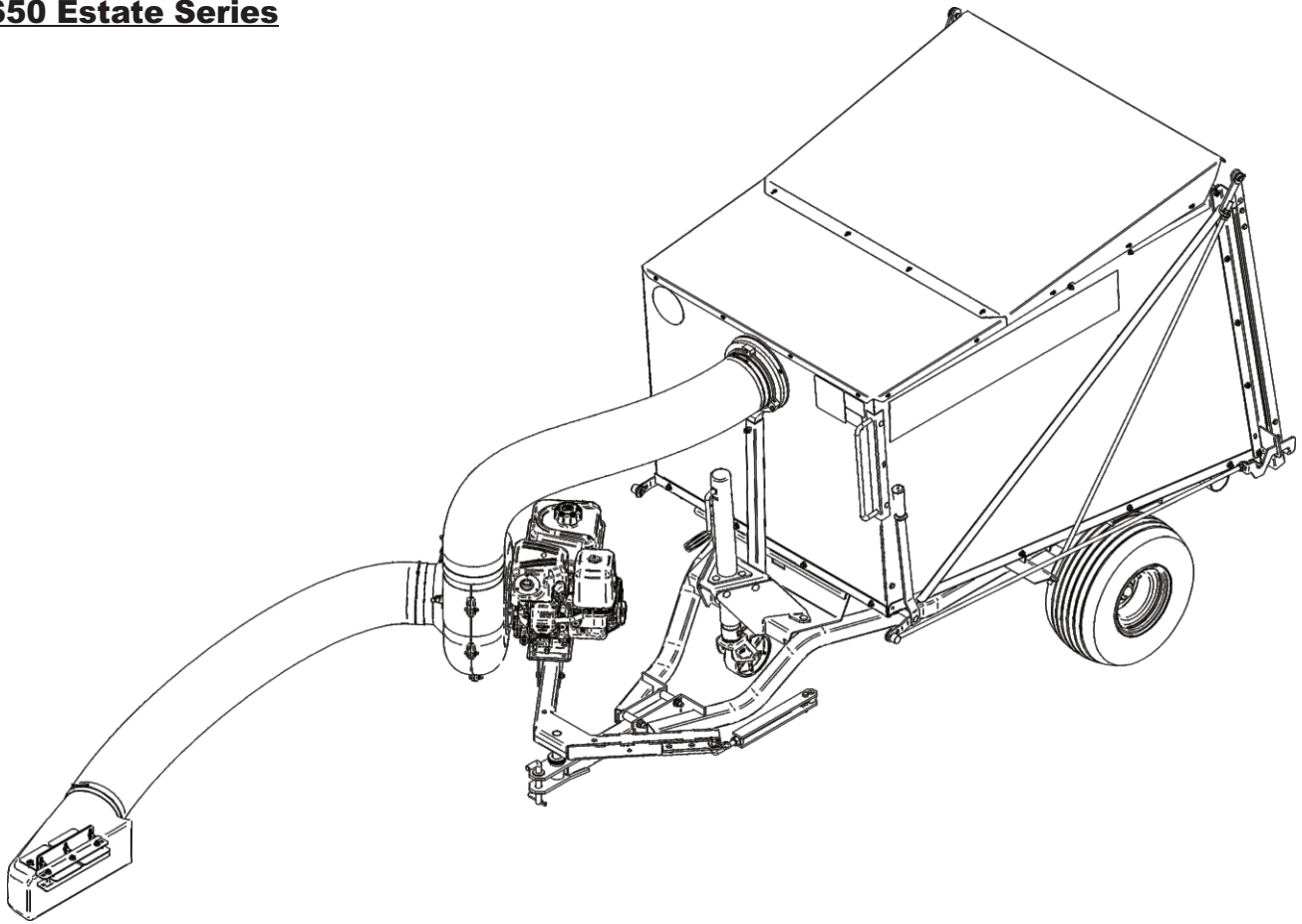
Note: Some parts and part features have been hidden from view for visual clarity.

Figure A

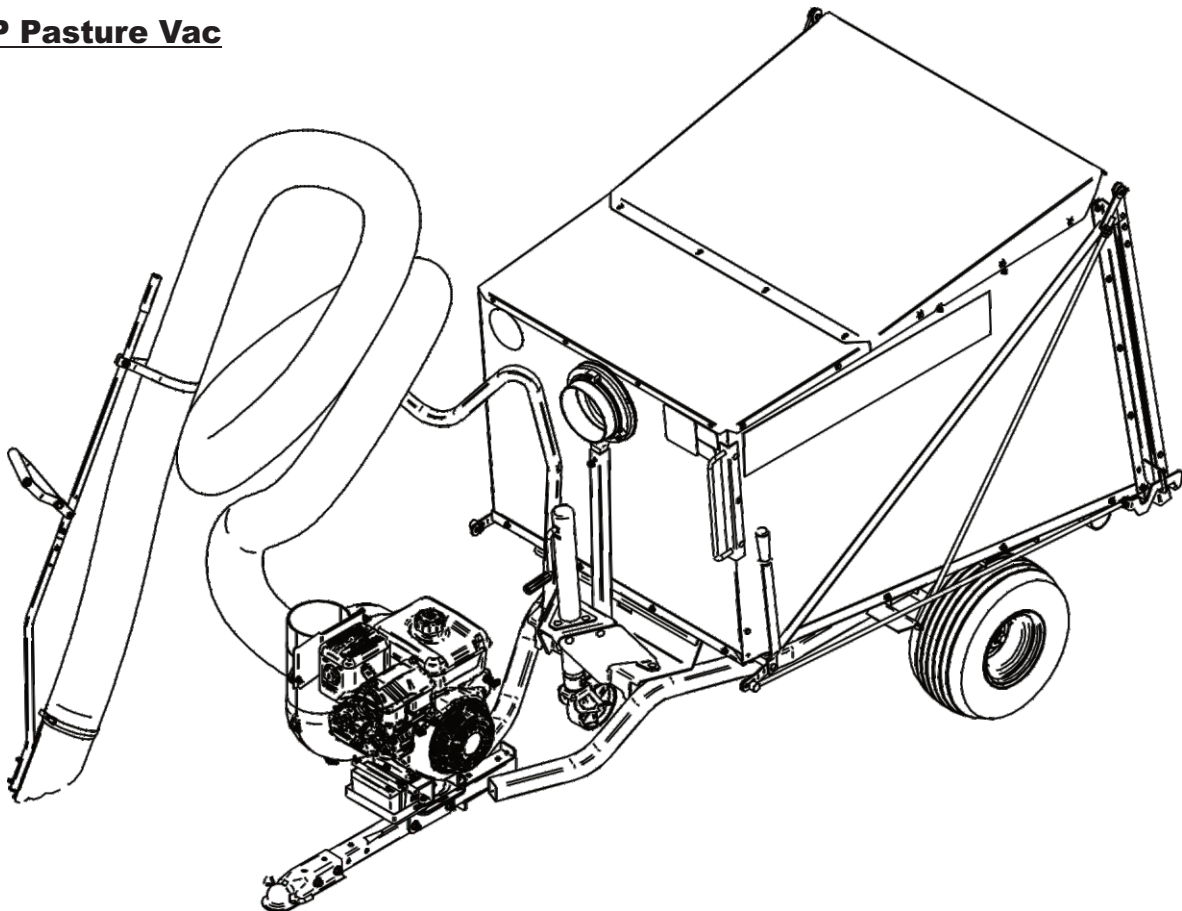


Item #	Part #	Desc.	Qty.
1	E6005	6" Blower Cone	1
2	J0060	6" Hose Clamps	2
3	B0027_01	Hose Hanger Tube	1

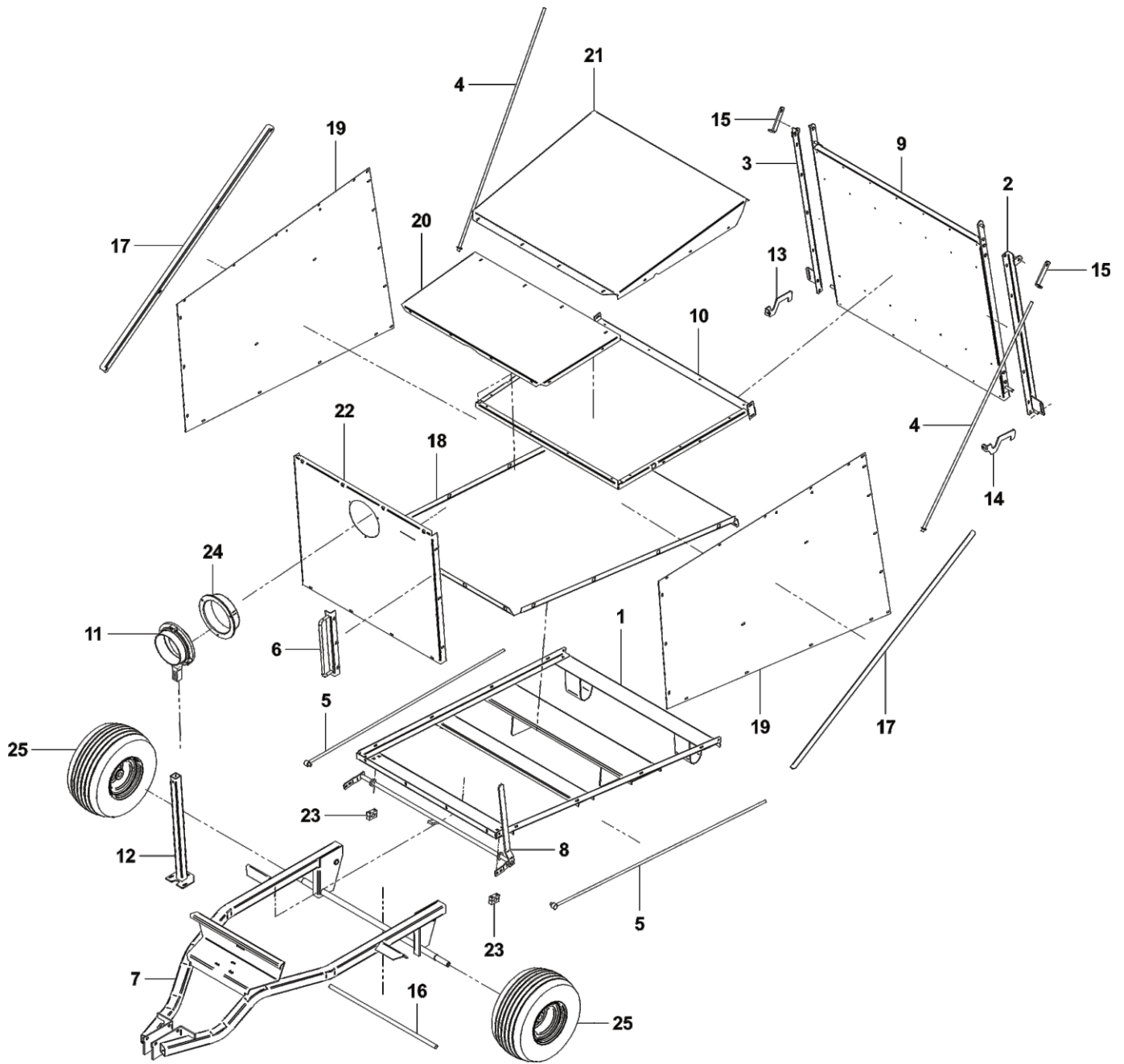
ES50 Estate Series



ES50P Pasture Vac



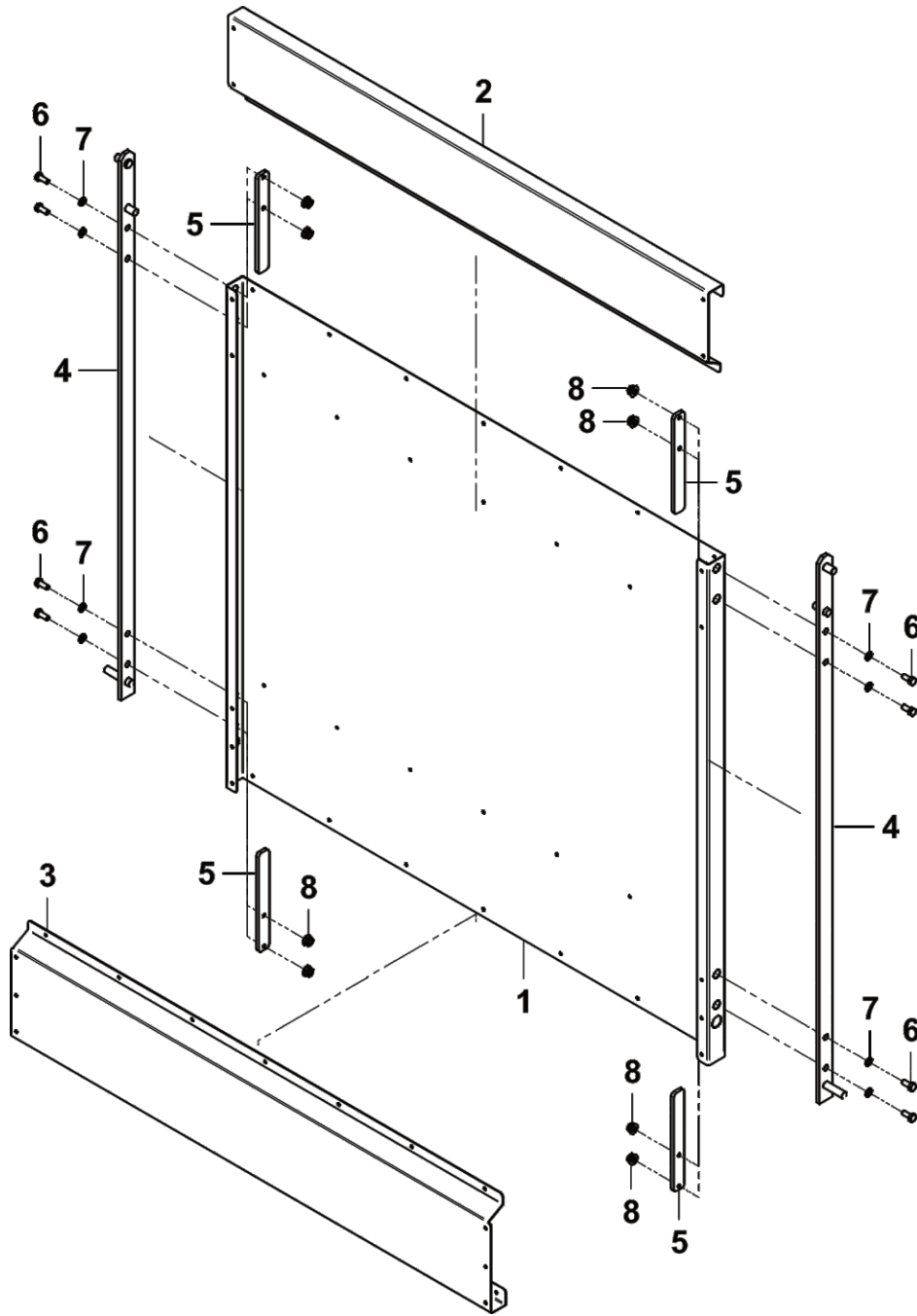
A0179 50 Trailer Vac Exploded View



A0179 50 Trailer Vac Exploded Parts List

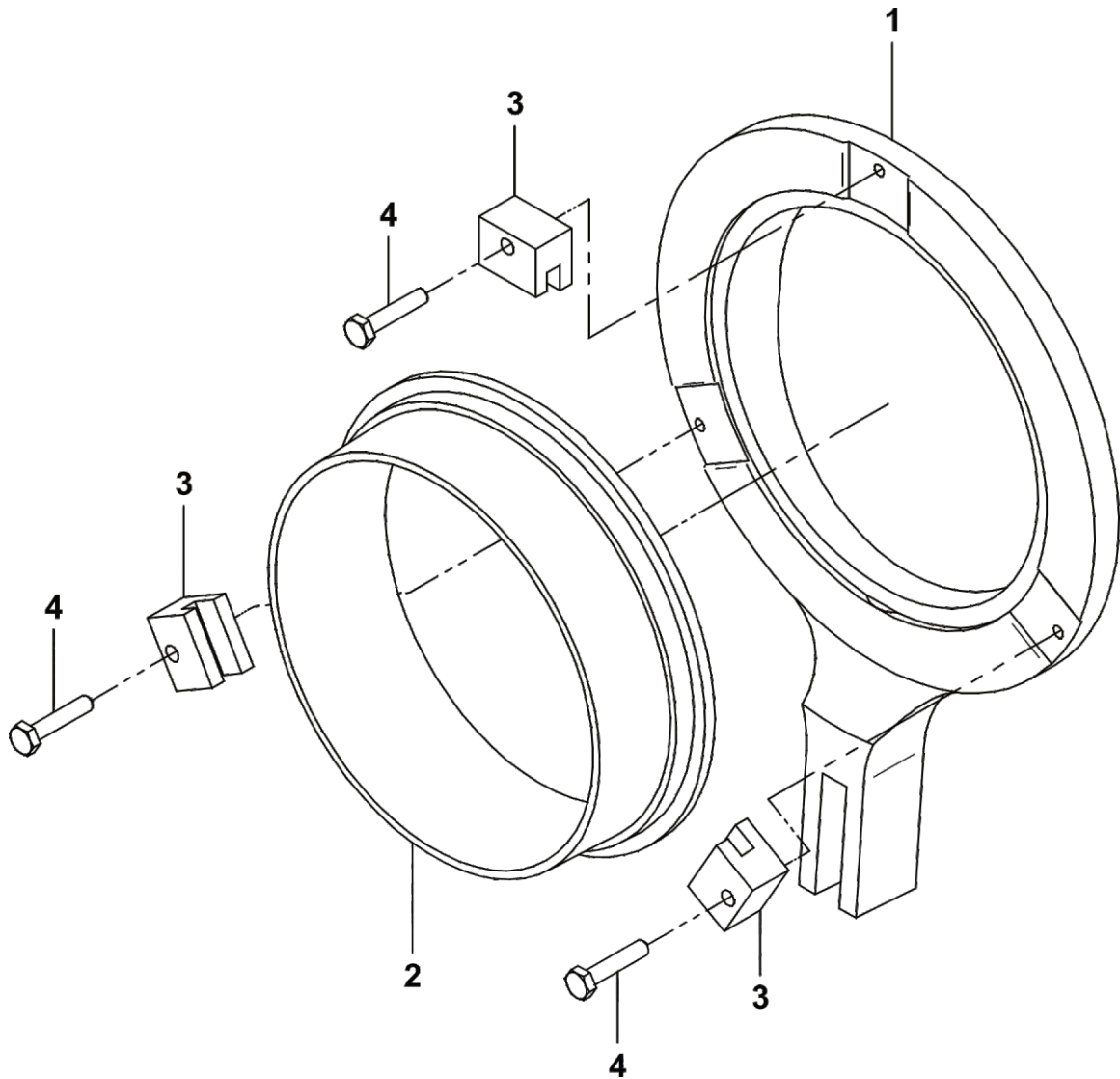
Item #	Part #	Desc.	Qty.
1	A0040	Tilt Base Frame Assy.	1
2	A0050	VERTICAL RAIL ASSY. (LEFT)	1
3	A0051	VERTICAL RAIL ASSY. (RIGHT)	1
4	A0341	Door Tension Rod Assy.	2
5	A0365	LATCH ROD ASSY.	2
6	A0372	Handle Rail Assy.	1
7	A0395	CHASSIS FRAME ASSY.	1
8	A0467	Latch Assy.	1
9	A0952	DOOR & HINGE ASSY.	1
10	A0956	Screen Frame Assy.	1
11	A0957	Swivel Inlet Assy.	1
12	A1684	Inlet Arm Assy.	1
13	B1418	Latch Release Lever	1
14	B1418	Latch Release Lever	1
15	B2268	Pivot Rod Strap	2
16	B4225	Tilt Rod	1
17	B5277	Diagonal Rail	2
18	C1188	Bottom Box Panel	1
19	C1189	Box Side	2
20	C1190_A	Top Box Panel A	1
21	C1190_B	Top Box Panel B	1
22	C1191	Front Box Panel	1
23	C7001	Bearing Block / Set	2
24	E8004	Blower Cone	1
25	H1011	18 X 8.5 NO AXLE	2

A0952 Door & Hinge Assembly Explosion



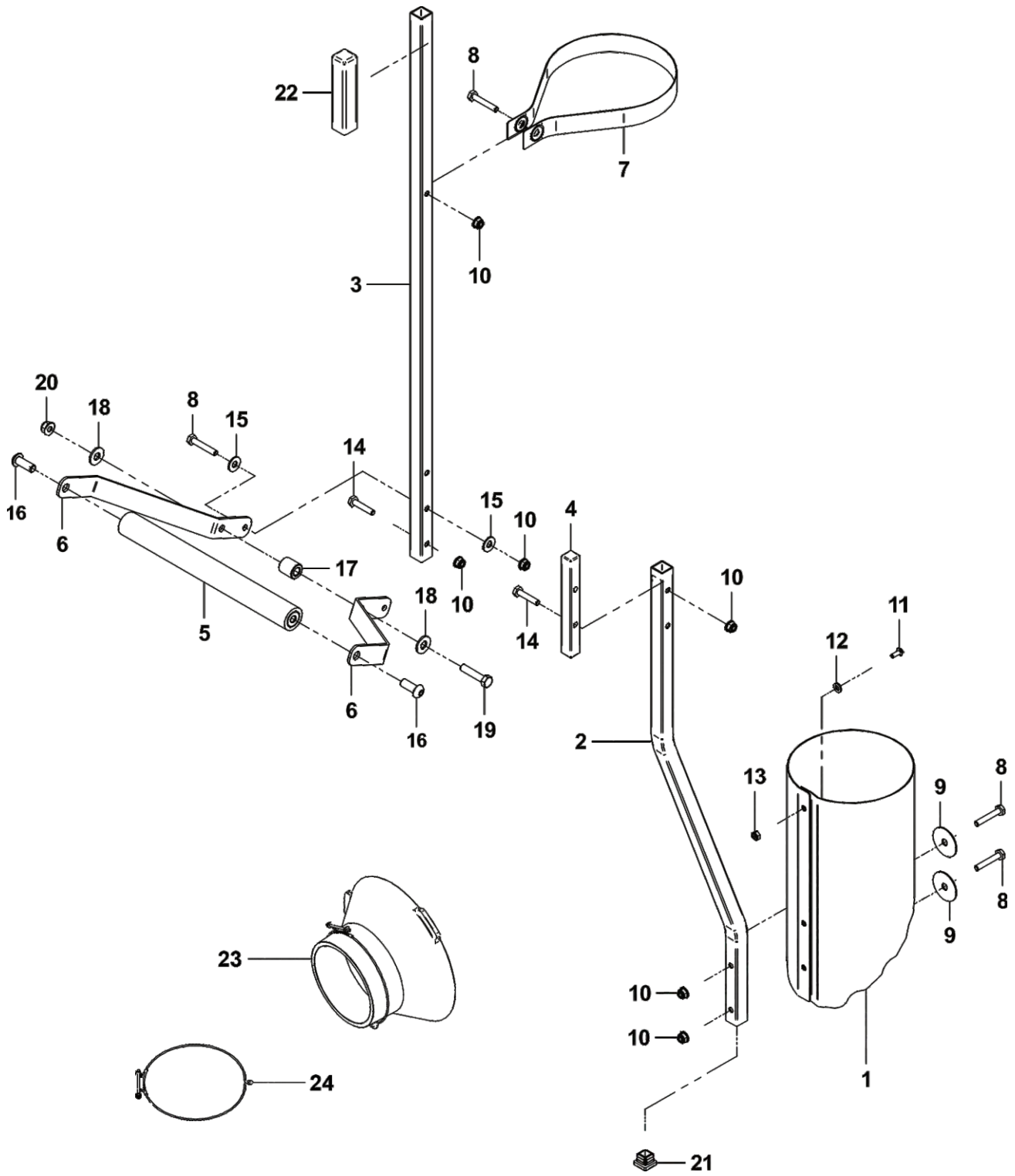
Item #	Part #	Desc.	Qty.
1	C1148	Door Panel	1
2	C1146	Top Door Gusset	1
3	C1147	Bottom Door Gusset	1
4	A0338	DOOR RAIL ASSY.	2
5	B2377	Hinge Support Strap	4
6	K1153	HHCS 5/16"-18 x 3/4"	8
7	K0044	I/T Tooth Lock Washer 5/16"	8
8	K1215	Flange Nut 3/8"-16	8

A0957 Swivel Inlet Assembly Explosion



Item #	Part #	Desc.	Qty.
1	E8014	Swivel Inlet Ring	1
2	E8013	Inlet Connector Ring	1
3	V1015	Inlet Valve Block	3
4	K1130	1/4"-20 X 1-1/4" HHCS GR8	3

A1861 Wand Kit / Large Explosion



A1861 Wand Kit / Large Exploded Parts List

Item #	Part #	Desc.	Qty.
1	C2120	Nose Cone / 6"	1
2	B0762	Lower Handle	1
3	B0755	Upper Handle	1
4	B0763	Handle Connector	1
5	A2337	Handle w/ Grip Assembly	1
6	B2098	Wand Handle	2
7	A1860	Hose Strap Assy. 1" x 24"	1
8	K1135	1/4"-20 X 1-1/2" HHCS	4
9	K0041	5/16" FENDER WASHER 1.505 OD x .345 ID x .048 T	2
10	K2014	1/4"-20 Ny-Flange Lock Nut	6
11	K1064	10-24 x 1/2" Phillips PHMS	1
12	K1467	Flat Washer M6 x 12mm OD	1
13	K1068	10-24 Nyloc Nut	1
14	K1130	1/4"-20 X 1-1/4" HHCS GR8	2
15	K0037	Flat Washer / 1/4" (.75 OD x .312 ID x .060 T)	2
16	K1520	3/8"-16 x 1" Hex Drive Socket Cap Screw / Zinc	2
17	S3242	Spacer Bushing / .750 ID x .380 ID x .830 L	1
18	K0042	Flat Washer 5/16" / .875 OD x .380 ID x .075 T	2
19	K1157	5/16"-18 x 1-1/2" All Thread HHCS	1
20	K2516	Ny-Flange Lock Nut 5/16"-18	1
21	V1170	Square End Cap	1
22	V1169	Square Handle Grip	1
23	E6005	6" Blower Cone	1
24	J0060	6" Hose Clamp / Spirofil	2



Unit Model #: 805003 (Yanmar 7 HP) & 805006 (B&S 14 HP)

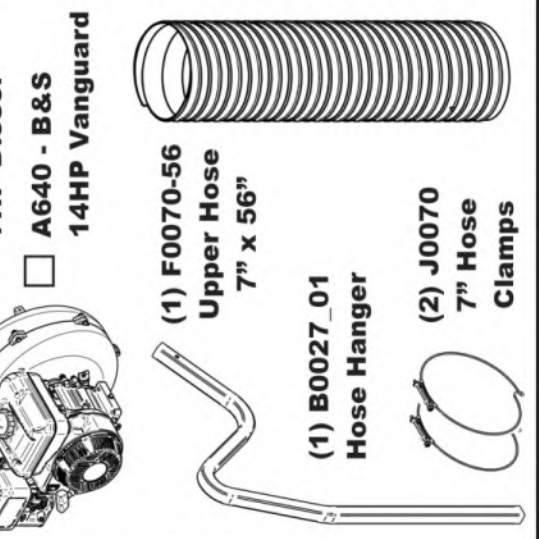
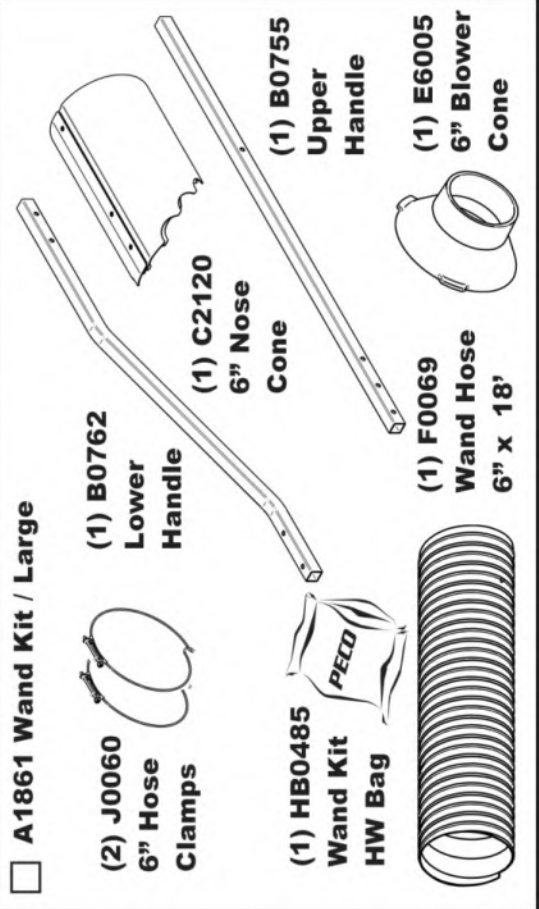
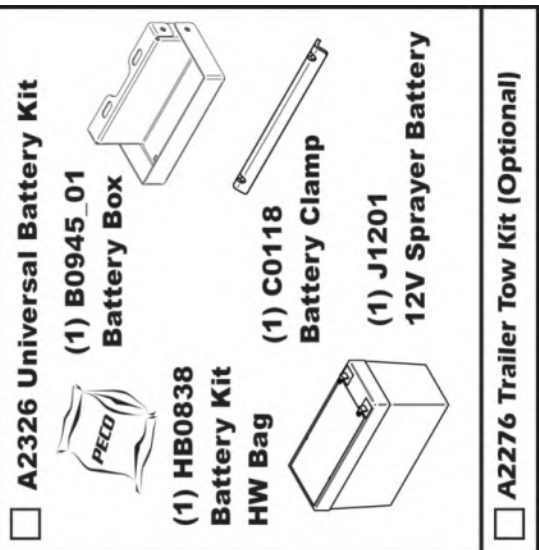
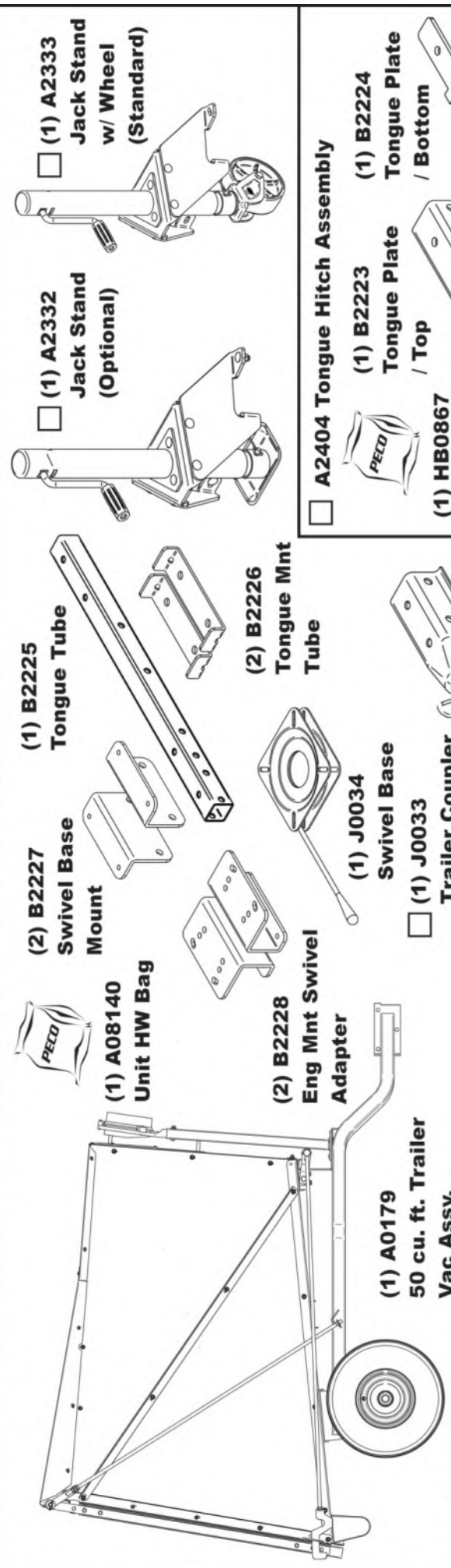
Description: 50 cu. ft. Pasture Vac

Drive Type: Yanmar 7HP Diesel Engine / Briggs & Stratton 14HP Vanguard

Mower Type: Universal

Vac Type: Engine Driven Pasture Vac **Manual:** Q0572

Revision #: 4 - Tongue Redesign (Feb 2022)



A2276 Trailer Tow Kit (Optional)



Unit Model #: 795003 (Yanmar 7 HP) & 795009 (B&S 14 HP)

Description: 50 cu. ft. Estate Series

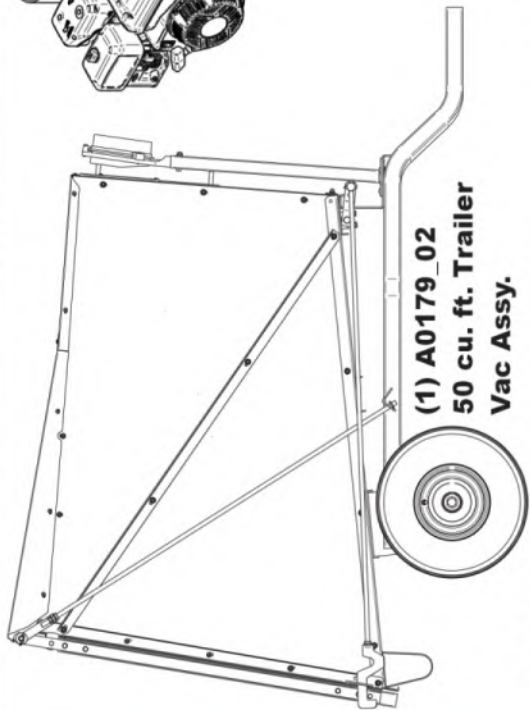
Drive Type: Yanmar 7HP Diesel Engine / Briggs & Stratton 14HP Vanguard

Mower Type: Universal

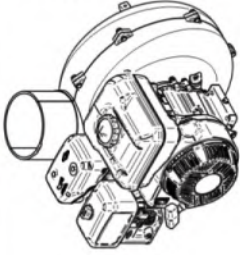
Vac Type: Engine Driven Trailer Vac

Manual: Q0572

Revision #: 6 - Updated Standard Options/ Created Options Page (Jan. 2023 - KR)

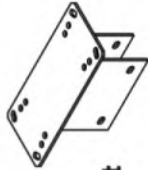


(1) A0179_02
50 cu. ft. Trailer
Vac Assy.

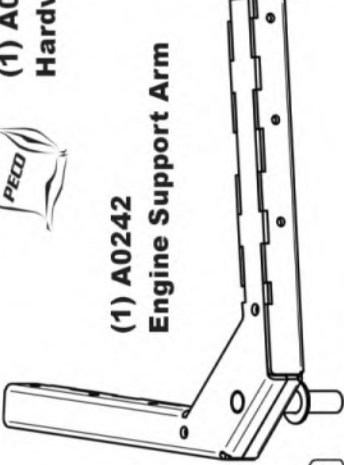


- A620 - Yanmar 7HP Diesel
- A640 - B&S 14HP Vanguard

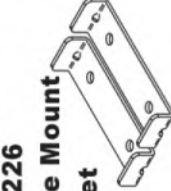
(1) A0243
Engine Mount



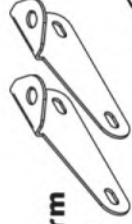
(1) A08185
Hardware Bag



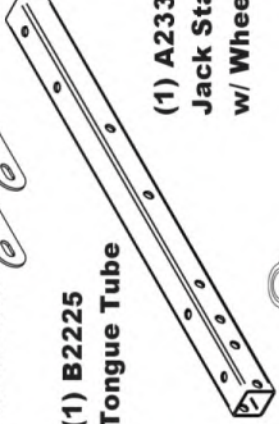
(1) A0242
Engine Support Arm



(2) B2226
Tongue Mount
Bracket



(2) B2230
Eng Swing Arm
Lockout Brkt



(1) B2225
Tongue Tube

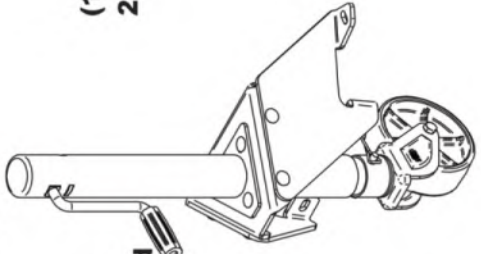


(1) F0070-66
Upper Hose
7" x 66"

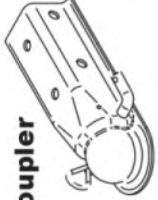


(2) J0070
7" Hose Clamps

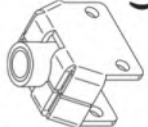
(1) A2333
Jack Stand
w/ Wheel



(1) J0033
2" Trailer Coupler



(1) A2403
Mount Arm
Swivel Assy



A2326 Universal Battery Kit

(1) B0945_01
Battery Box

(1) C0118
Battery Clamp

(1) HB0838
Battery Kit
HW Bag

(1) J1201
12V Sprayer Battery

A2404 Tongue Hitch Assembly

(1) B2223
Tongue Plate
/ Top

(1) B2224
Tongue Plate
/ Bottom

(1) HB0867
Tongue Hitch
Kit HW Bag

Select the Boot Kit
That is needed

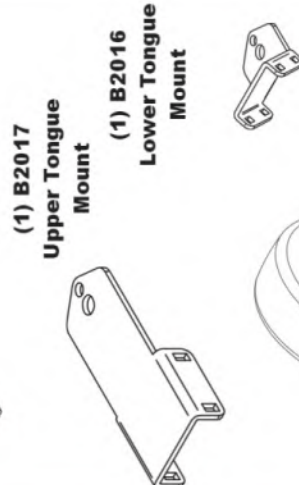
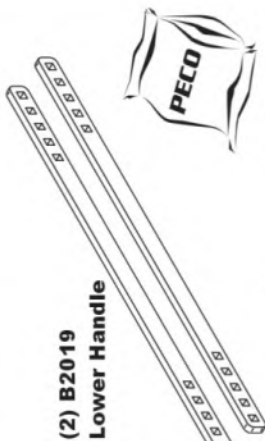
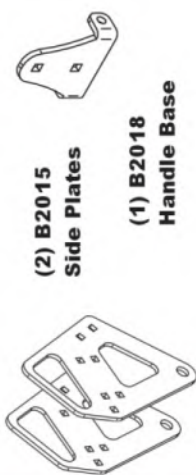
- A2284 Universal Small Boot Kit / Large Hsg**
- A2283 Universal Large Boot Kit / Large Hsg**
- Other Boot Kit (_____)**

Unit Model #: 795003 (Yanmar 7 HP) & 795009 (B&S 14 HP)

Additional Options:



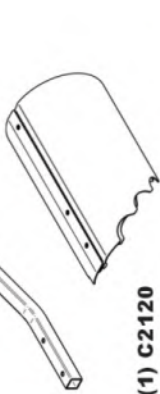
A2276 Trailer Tow Kit



A1861 Wand Kit / Large



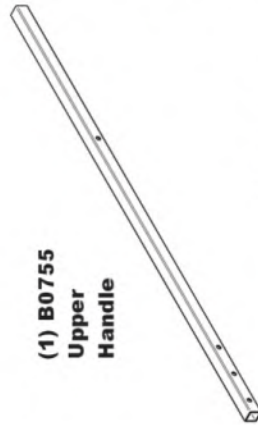
(1) B0762 Lower Handle



(1) C2120 6" Nose Cone



(1) HB0485 Wand Kit HW Bag



(1) B0755 Upper Handle

(1) E6005 6" Blower Cone



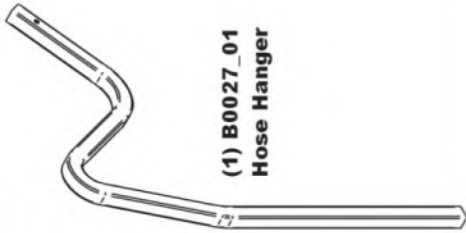
(1) F0069 Wand Hose 6" x 18'



A2409 Hose Hanger Kit



(1) HB0872 Hardware Bag



(1) B0027_01 Hose Hanger



Unit Model #: 795005U (TOKO)

Description: 50 cu. ft. Trailer Vac - Unassembled

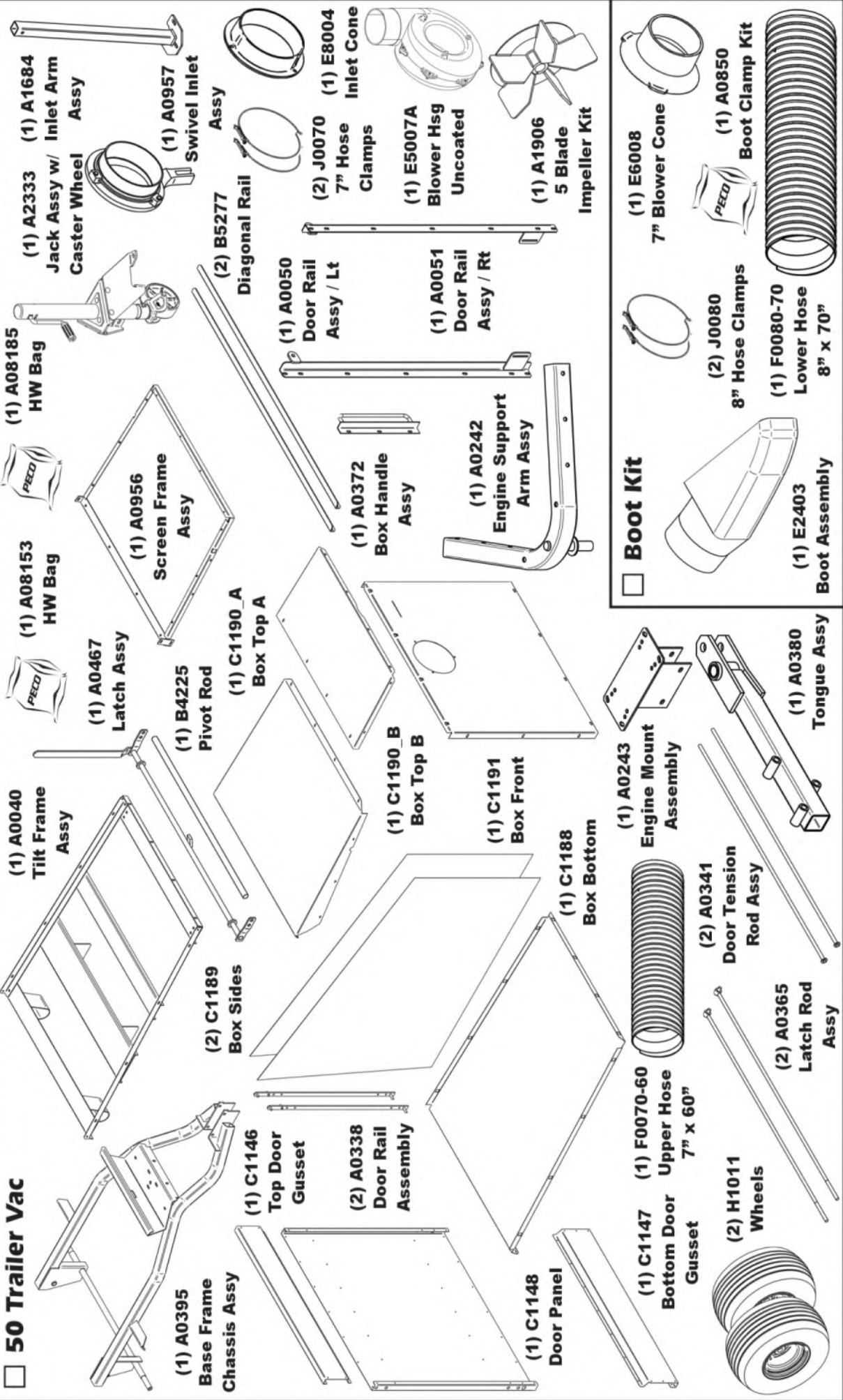
Drive Type: Engine Drive

Mower Type: Universal

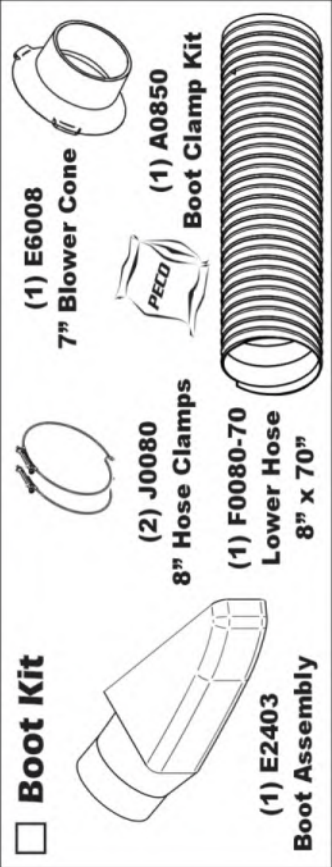
Manual: Q0572

Vac Type: Engine Driven Trailer Vac

Revision #: 8 - Updated Parts (KR Jan 2023)



Boot Kit



Model #A2284

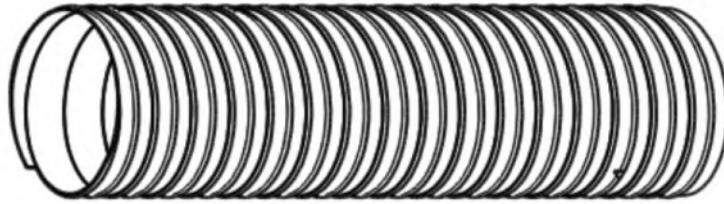
Desc: Universal Small Boot Kit / Large Housing

Revision #: 1 - Updated Hose Length (Dec 2020)

Instruction Sheet: Q2054



A2284 Universal Small Boot Kit



(1)
F0070-75
7" x 75"
Lower Hose



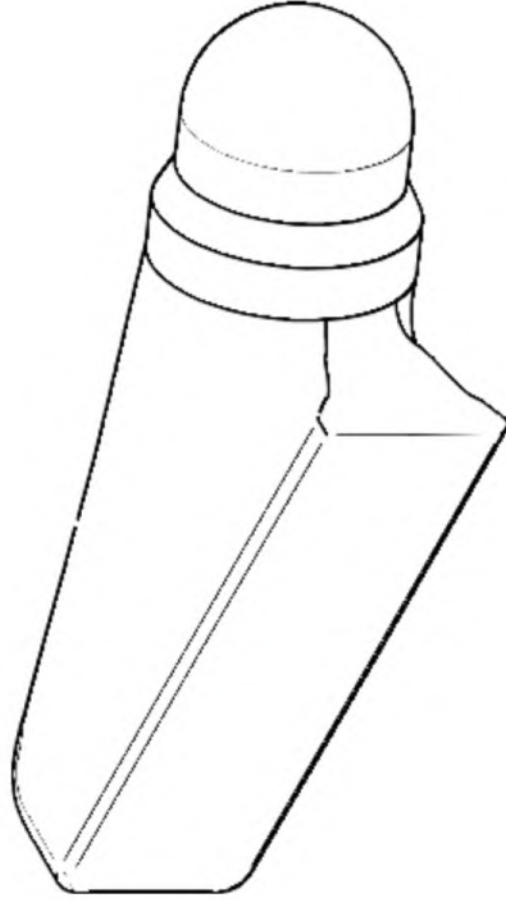
(2)
J0070
7" Hose
Clamps



(1)
HB0808
Boot Kit
HW Bag



(1)
E6007
7" Blower
Cone



(1)
V1018
Universal
Boot / Small

Model #A2283

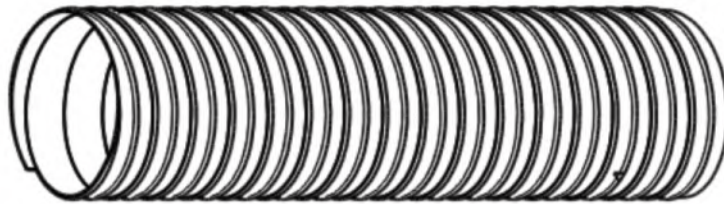
Desc: Universal Large Boot Kit / Large Housing

Revision #: 1 - Updated Hose Length (Dec 2020)

Instruction Sheet: Q2053



A2283 Universal Large Boot Kit



(1)
F0080-75
8" x 75"
Lower Hose



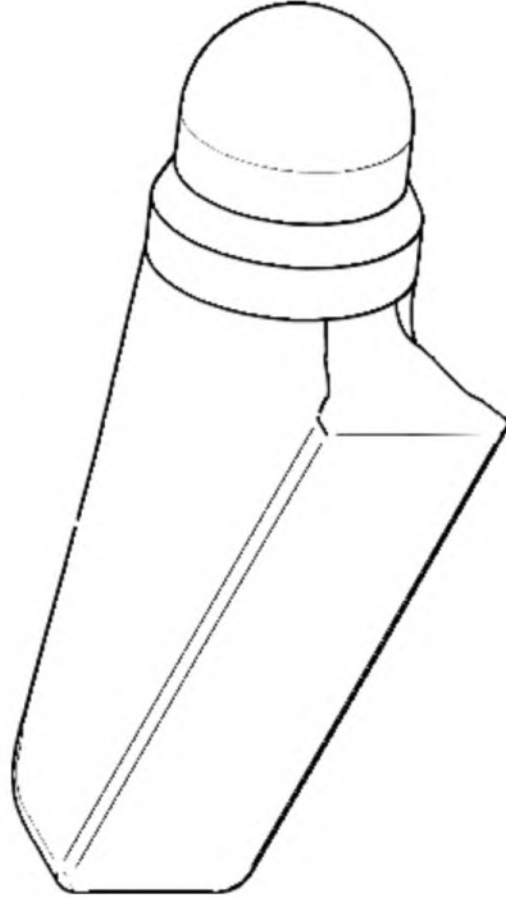
(2)
J0080
8" Hose
Clamps



(1)
HB0807
Boot Kit
HW Bag



(1)
E6008
8" Blower
Cone



(1)
V1049
Universal
Boot / Large

SAFETY DECALS

To promote safe operation, New PECO, Inc. supplies safety decals on all products manufactured. Damage can occur to safety decals either through shipment, use or reconditioning. Contact your local Service Center for replacement decals.



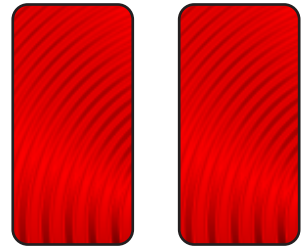
Part #: R2008
PECO Logo



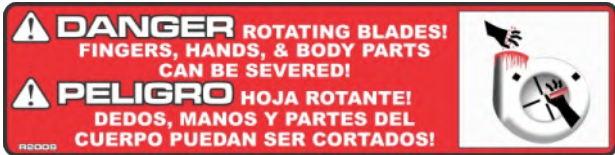
Part #: R0022
Designed & Built
In The USA



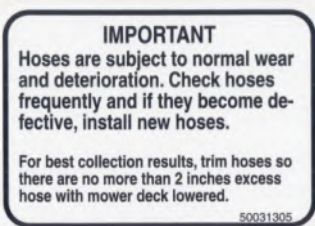
Part #: R2007
Danger -
Never Use Hands



Part #: J0516 - (2)
Red Reflectors



Part #: R2008
Danger -
Rotating Blades



Part #: R1054
Important -
Hose Wear



Part #: R1051
Warning -
Hearing Protection



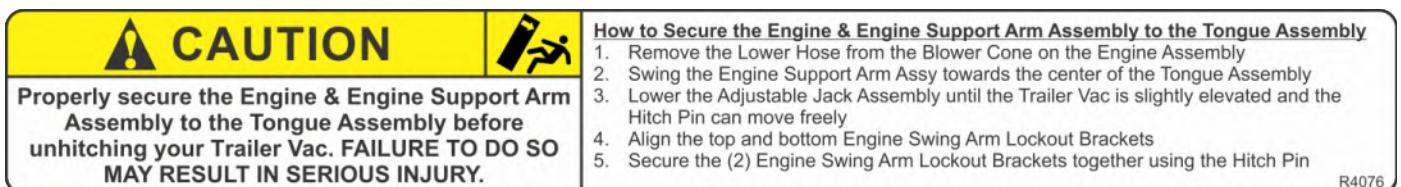
Part #: R1069
Warning -
Turn Off Blower



Part # R0024
Danger - Keep Hands
Clear



Part # R0025
Danger - Rotating
Blades



Part # R4076
Caution -
Properly Secure Engine

SECTION III OPERATING INSTRUCTIONS

General Safety

WARNING

Engine Blower Assembly **MUST** be completely **TURNED OFF** before checking and performing any maintenance. **FAILURE TO DO SO MAY RESULT IN SERIOUS INJURY.**

To turn the Engine Blower Assembly OFF, turn the key/switch on the Engine to the OFF position.

Only qualified people familiar with this operator's manual and the mower's operator's manual should operate this machine.

Operation & Tips On Mowing

- A. Perform **BEFORE EACH USE** the maintenance list referenced in Section IV.
- B. Start the engine/blower/blade assembly.
- C. Start mower.
- D. With the mower at high idle speed, engage the mower deck.
- E. Proceed to operate the control levers of the mower.

Note: If the collection system does not appear to be collecting the grass clippings; disengage the deck, turn off the engine blower assembly, engage the parking brake and turn the mower off. Check the upper hose, lower hose, top screen and boot for clogs.

To obtain the maximum effectiveness from your collection system the tips listed below should be followed:

- * Watch your speed- Normal conditions will allow a speed of up to approximately 5 mph, but thick, heavy damp conditions will require reduced ground speed.
- * Mow with sharp blades- A sharp blade cuts cleaner.
- * Wet grass and leaves will decrease effectiveness and will increase horsepower requirements.
- * Mow at higher cutting heights- Remove and mulch no more than 2" of grass length with each mowing. (Experts recommend not cutting off more than 1/3 of the grass blade length at any given time.)
- * Mow twice, at different height settings, (high, then low), if grass is extra tall.

* Remember that horsepower requirements will vary with the mowing conditions such as type and height of turf grass, moisture content, amount of leaves, whether the terrain is flat or hilly, etc.

Unloading The Collection System

NOTE: Collection system blower will have an audible change in tone when the collection system is full.

- A. Stop the forward movement of the mower.
- B. Disengage the mower deck.
- C. Adjust the throttle of the engine down to idle.
- D. Release the Latch Assembly using the Latch Handle at the side of the container.
- E. Loosen the Swivel Inlet from the container.
- F. Use the Handle Rail Assembly to tilt and rotate the container back. The container will then release its contents.
- G. Once the contents of the container have fallen out, the container is ready to move back into its normal operating position. With the handle in the 'open' position, lift the handle up until it completely latches and stops. This will place the container back into the collection position.

NOTE: Do not allow the container to become over-filled as potential damage may occur to your equipment.

SECTION IV MAINTENANCE

Maintenance Checklist

Before each use:

1. Check blades and spindles to be sure that no foreign objects, such as wire or steel strapping bands, are wrapped around them.
2. Inspect blades for wear. Replace if necessary. If it is necessary to sharpen the blades, remove the blades from the spindles before sharpening. **DO NOT** sharpen blades while still attached to the mower.
3. Make sure all shields are in place and in good condition. Repair or replace any missing or damaged shields.
4. Listen for abnormal sounds, which might indicate loose parts, damaged bearings, or other damage. Correct any deficiency before continuing operation.

5. Check for wear or deterioration of the upper or lower hoses. If there are any portions of the hose that have been torn or worn through, replace with genuine PECO parts.

After Each Use:

1. Clean all debris from machine especially from the container, and off of safety decals. Replace any missing or illegible decals.
2. Clean all debris from the container screen.
3. Inspect unit for worn or damaged components. Repair or replace before the next use. Any replacement component installed during repair shall include the components current safety decal specified by the manufacturers to be affixed to the component.

SECTION V PARTS & SERVICE

Parts And Service Information

Collection system owners should record the name and telephone number of their Service Center. Your Service Center will be happy to supply replacement parts, accessories, and do any service or repairs to your collection system. If for any reason your Service Center is unable to service your collection system or supply replacement parts, contact New PECO, Inc. and include the following information on the chart below.

DOCUMENT THE FOLLOWING INFORMATION FOR FUTURE REFERENCE

Unit Model Number: _____

Unit Engine Size: _____

Unit Serial Number: _____

Date of purchase: ____ / ____ / ____

Dealer/Distributor Name: _____

Address: _____ **State:** _____ **Zip:** _____

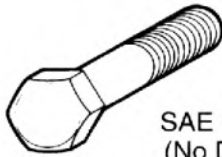
Phone Number: _____

New PECO, Inc.
10 Walden Dr | Arden, North Carolina 28704
Phone: 1-800-438-5823 | 828-684-1234
Fax: 828-684-0858
Email: peco@lawnvac.com
Website: www.lawnvac.com

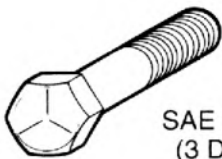
TORQUE SPECIFICATIONS

Proper torque for American fasteners used on Peco equipment.
Recommended Torque in Foot Pounds (Newton Meters).*

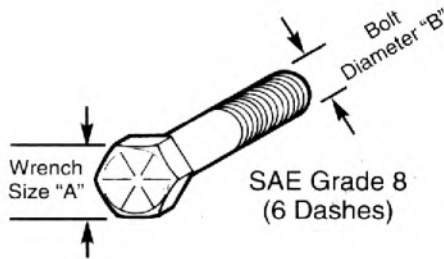
AMERICAN Bolt Head Markings



SAE Grade 2
(No Dashes)



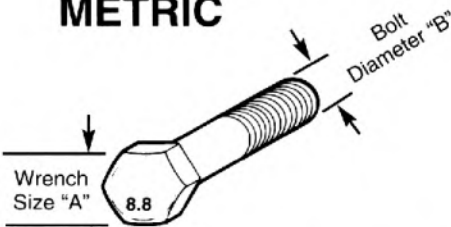
SAE Grade 5
(3 Dashes)



SAE Grade 8
(6 Dashes)

WRENCH SIZE (IN.) "A"	BOLT DIAMETER (IN.) "B" AND THREAD SIZE	SAE GRADE 2	SAE GRADE 5	SAE GRADE 8
7/16	1/4 - 20 UNC	6 (7)	8 (11)	12 (16)
7/16	1/4 - 28 UNF	6 (8)	10 (13)	14 (18)
1/2	5/16 - 18 UNC	11 (15)	17 (23)	25 (33)
1/2	5/16 - 24 UNF	13 (17)	19 (26)	27 (37)
9/16	3/8 - 16 UNC	20 (27)	31 (42)	44 (60)
9/16	3/8 - 24 UNF	23 (31)	35 (47)	49 (66)
5/8	7/16 - 14 UNC	32 (43)	49 (66)	70 (95)
5/8	7/16 - 20 UNF	36 (49)	55 (75)	78 (106)
3/4	1/2 - 13 UNC	49 (66)	76 (103)	106 (144)
3/4	1/2 - 20 UNF	55 (75)	85 (115)	120 (163)
7/8	9/16 - 12 UNC	70 (95)	109 (148)	153 (207)
7/8	9/16 - 18 UNF	79 (107)	122 (165)	172 (233)
15/16	5/8 - 11 UNC	97 (131)	150 (203)	212 (287)
15/16	5/8 - 18 UNF	110 (149)	170 (230)	240 (325)
1-1/8	3/4 - 10 UNC	144 (195)	266 (360)	376 (509)
1-1/8	3/4 - 16 UNF	192 (260)	297 (402)	420 (569)
1-5/16	7/8 - 9 UNC	166 (225)	430 (583)	606 (821)
1-5/16	7/8 - 14 UNF	184 (249)	474 (642)	668 (905)
1-1/2	1 - 8 UNC	250 (339)	644 (873)	909 (1232)
1-1/2	1 - 12 UNF	274 (371)	705 (955)	995 (1348)
1-1/2	1 - 14 UNF	280 (379)	721 (977)	1019 (1381)
1-11/16	1-1/8 - 7 UNC	354 (480)	795 (1077)	1288(1745)
1-11/16	1-1/8 - 12 UNF	397 (538)	890 (1206)	1444 (1957)
1-7/8	1-1/4 - 7 UNC	500 (678)	1120 (1518)	1817 (2462)
1-7/8	1-1/4 - 12 UNF	553 (749)	1241 (1682)	2013 (2728)
2-1/16	1-3/8 - 6 UNC	655 (887)	1470 (1992)	2382 (3228)
2-1/16	1-3/8 - 12 UNF	746 (1011)	1672 (2266)	2712 (3675)
2-1/4	1-1/2 - 6 UNC	870 (1179)	1950 (2642)	3161 (4283)
2-1/4	1-1/2 - 12 UNF	979 (1327)	2194 (2973)	3557 (4820)

METRIC



Numbers appearing on bolt heads indicate ASTM class.

Proper torque for metric fasteners used on Peco equipment.
Recommended torque in foot pounds (newton Meters).*

WRENCH SIZE (mm) "A"	BOLT DIA. (mm) "B"	ASTM 4.6	ASTM 8.8	ASTM 9.8	ASTM 10.9
8	5	1.8 (2.4)		5.1 (6.9)	6.5 (8.8)
10	6	3 (4)		8.7 (12)	11.1 (15)
13	8	7.3 (10)		21.1 (29)	27 (37)
16	10	14.5 (20)		42 (57)	53 (72)
18	12	25 (34)	74 (100)	73 (99)	93 (126)
21	14	40 (54)	118 (160)	116 (157)	148 (201)
24	16	62 (84)	167 (226)	181 (245)	230 (312)
30	20	122 (165)	325 (440)		449 (608)
33	22		443 (600)		611 (828)
36	24	211 (286)	563 (763)		778 (1054)
41	27		821 (1112)		1138 (1542)
46	30	418 (566)	1119 (1516)		1547 (2096)

*Use 75% of the specified torque value for plated fasteners. Use 85% of the specified torque values for lubricated fasteners.

Troubleshooting

2017 (v1.0)

Collection System Performance

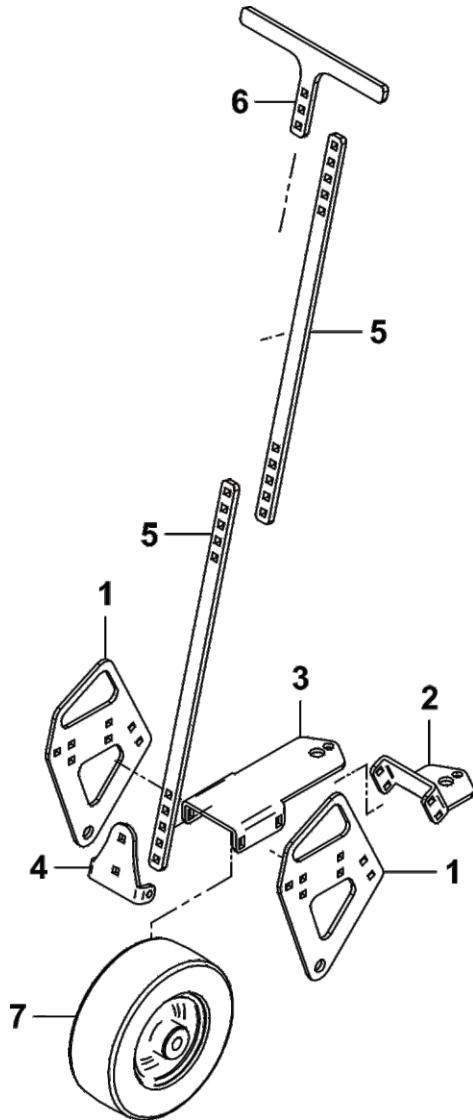
Problem	Possible Cause	Corrective Action
Abnormal Vibration	<ul style="list-style-type: none"> • Cutting blades are bent or unbalanced • Loose blower pulley or pulley assembly • Impeller blade out of balance 	<ul style="list-style-type: none"> • Install new cutting blade • Tighten the pulley • Contact dealer to replace
Reduced collection system performance	<ul style="list-style-type: none"> • Low engine speed • Plugged screen • Loose belt • Full collection bags 	<ul style="list-style-type: none"> • Always operate collection system at full throttle • Remove debris, leaves, or grass clippings from the screen • Replace/tighten belt • Empty the collection bags
Blower and hoses plugging too frequently	<ul style="list-style-type: none"> • Collection bags are too full • Low engine speed • Grass is too wet • Grass is too long • Ground speed is too fast • Worn belt • Loose belt 	<ul style="list-style-type: none"> • Dump more frequently • Always operate collection system at full throttle • Cut grass when it is dry • Cut the grass several times • Drive slower at full throttle • Replace belt • Adjust the pulley and tighten belts
Debris blowout	<ul style="list-style-type: none"> • Collection bags are too full • Plug/clog in the collection system • Ground speed is too fast 	<ul style="list-style-type: none"> • Dump more frequently • Clean the collection system • Drive more slowly at full throttle
Impeller doesn't rotate freely	<ul style="list-style-type: none"> • Plug in the blower housing • Worn impeller blade • Shaft bearings bad/failing 	<ul style="list-style-type: none"> • Clean the blower housing • Contact dealer to replace • Contact dealer to replace

Additional Options

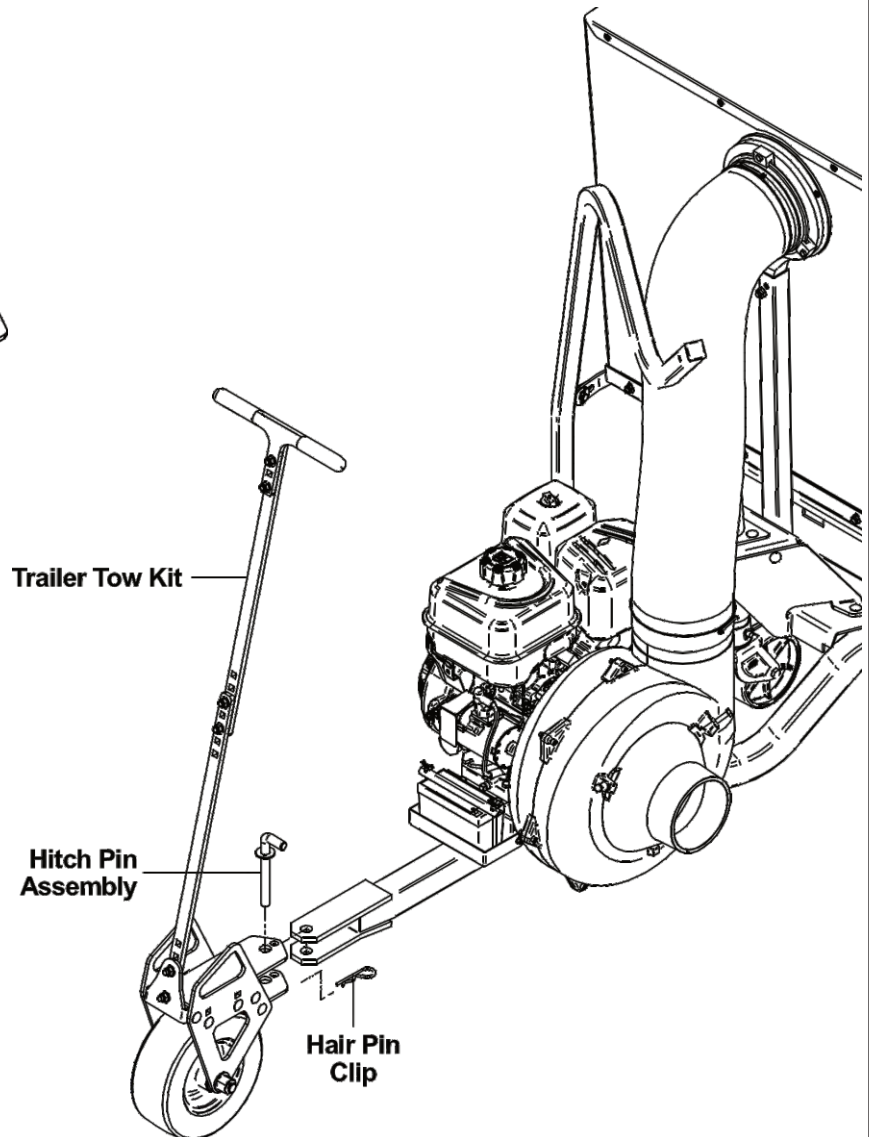
A2276 - Trailer Tow Kit

The Trailer Tow Kit P#(A2276) is designed to allow your Trailer Vac Unit to be moved and maneuvered around easily without a tractor creating a stand alone unit. This will also allow for an easy storage or transportation of your Trailer Vac Unit when not being used.

Simply attach the Trailer Tow Kit to your Trailer's Tongue Assembly by aligning the mountings holes and using (1) Hitch Pin Assembly P#(A0342) and (1) Hair Pin Clip P#(K0088) as seen below.



Item #	Part #	Desc.	Qty.
1	B2015	Side Plate	2
2	B2016	Lower Tongue Mount	1
3	B2017	Upper Tongue Mount	1
4	B2018	Handle Base	1
5	B2019	Lower Handle	2
6	B2020	Upper Handle	1
7	H3408	Wheel	1





New PECO, Inc.
10 Walden Dr | Arden, North Carolina 28704
Phone: 1-800-438-5823 | 828-684-1234
Fax: 828-684-0858
Email: peco@lawnvac.com
Website: www.lawnvac.com