



**Unit Model #: 795001** (B&S 10 HP), **795003** (Yanmar 7 HP),  
**795009** (B&S 14 HP) & **795010** (B&S 16 HP)

**Description:** 50 cu. ft. Estate Series

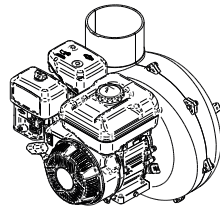
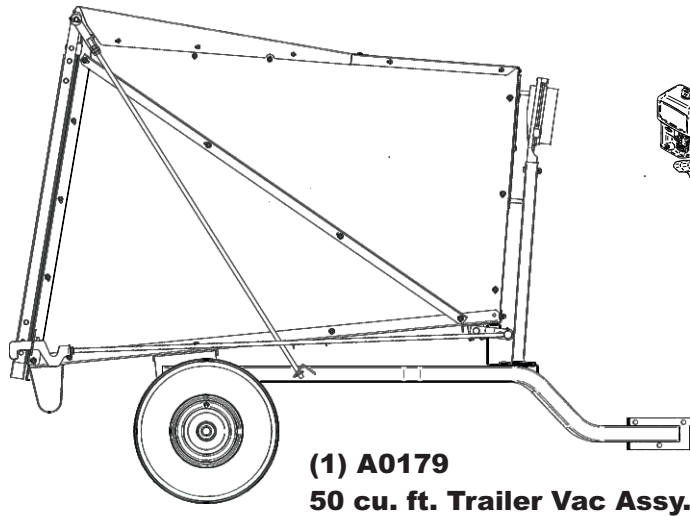
**Drive Type:** Briggs & Stratton 10HP Vanguard, 14HP Vanguard, 16HP Vanguard / Yanmar 7HP Diesel Engine

**Mower Type:** Universal

**Vac Type:** Engine Driven Trailer Vac

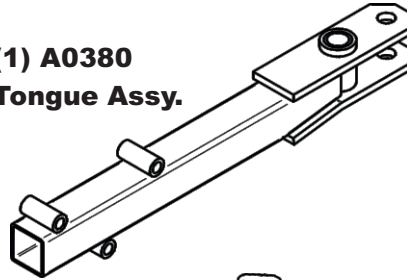
**Instruction Sheet:** Q0572

**Revision #:** 2 - Updated Parts & Manual Part# (Dec 2020)

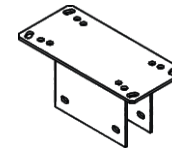


- A615 - B&S 10HP Vanguard
- A620 - Yanmar 7HP Diesel
- A640 - B&S 14HP Vanguard
- A650 - B&S 16HP Vanguard

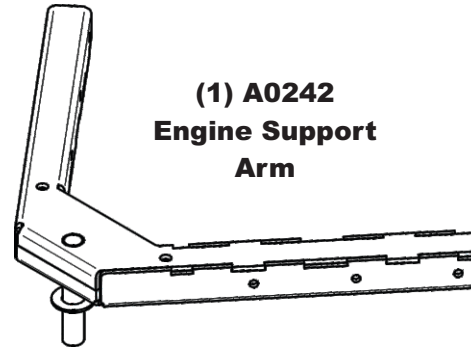
(1) A0380  
Tongue Assy.



(1) A0243  
Engine Mount



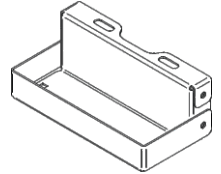
(1) A0242  
Engine Support  
Arm



A2326 Battery Kit (Optional)



(1) B0945\_01  
Battery Box

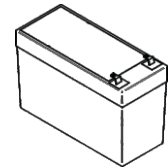


(1) HB0838  
Battery Kit  
HW Bag

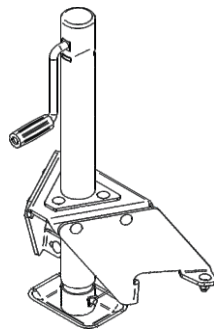
(1) C0118  
Battery Clamp



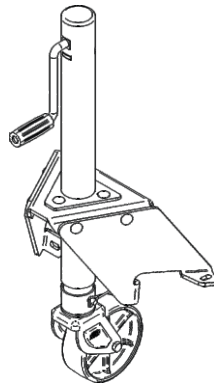
(1) J1201  
12V Sprayer  
Battery



(1) F0070  
Upper Hose  
7" x 60"



(1) A2332  
Jack Stand  
(Standard)



(1) A2333  
Jack Stand  
w/ Wheel  
(Optional)



(1) A08185  
Hardware Bag



(2) J0070  
7" Hose Clamps

Select the Boot Kit  
That is needed

- A2284 Universal Small Boot Kit / Large Hsg
- A2283 Universal Large Boot Kit / Large Hsg
- Other Boot Kit ( \_\_\_\_\_ )
- A2276 Trailer Tow Kit (Optional)