



Unit Model #: 805001 (B&S 10 HP), **805003** (Yanmar 7 HP),
805006 (B&S 14 HP) & **805007** (B&S 16 HP)

Description: 50 cu. ft. Pasture Vac

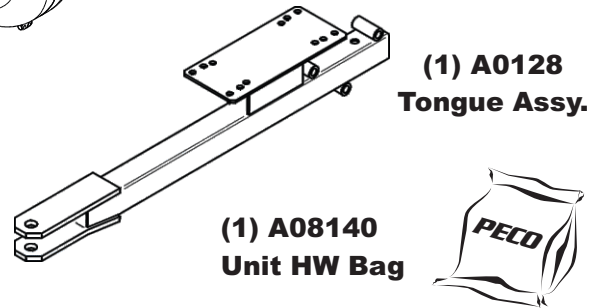
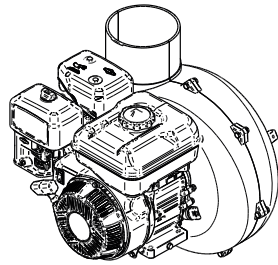
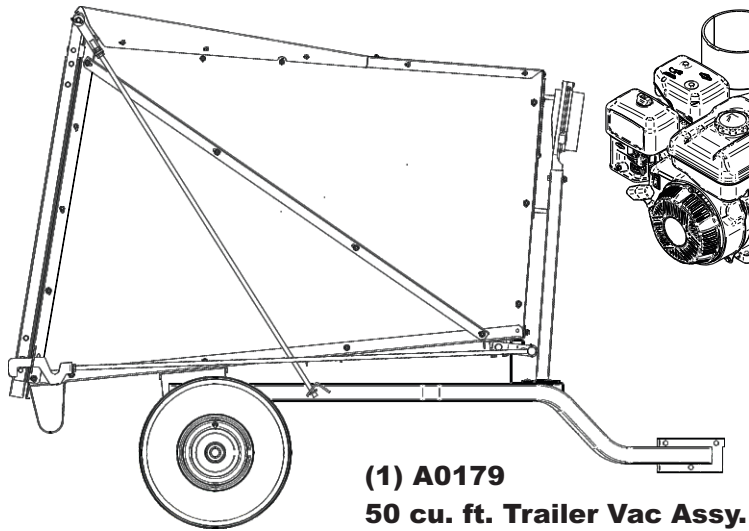
Drive Type: Briggs & Stratton 10HP Vanguard, 14HP Vanguard, 16HP Vanguard / Yanmar 7HP Diesel Engine

Mower Type: Universal

Vac Type: Engine Driven Pasture Vac

Instruction Sheet: Q0572

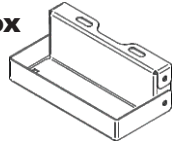
Revision #: 2 - Updated Parts & Manual Part# (Sept 2020)



A2326 Universal Battery Kit



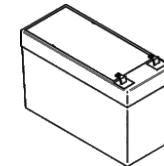
(1) B0945_01
Battery Box



(1) HB0838
Battery Kit
HW Bag

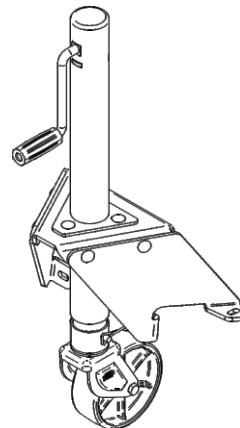
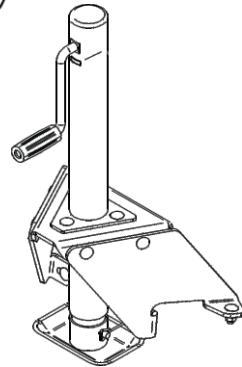
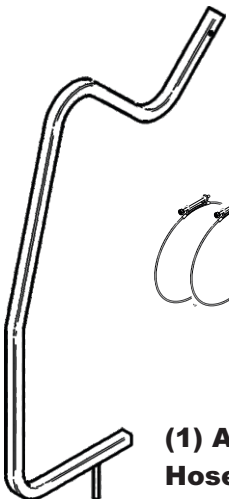
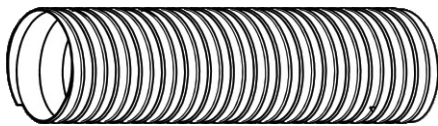


(1) C0118
Battery Clamp



(1) J1201
12V Sprayer Battery

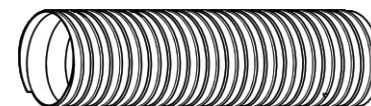
A2276 Trailer Tow Kit (Optional)



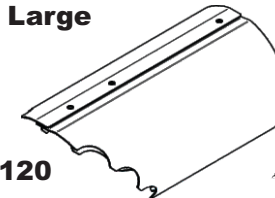
A1861 Wand Kit / Large



(1) F0069
Wand Hose
6" x 18'

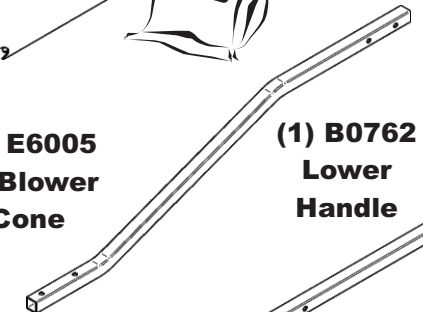


(1) C2120
6" Nose
Cone



(1) HB0485
Wand Kit
HW Bag

(1) B0762
Lower
Handle



(1) B0755
Upper
Handle

