

MODEL#: 52020901

MOWER NAME: BIG DOG

MOWER MODEL: R-748 & R-754 DIABLO

MOWER DECK SIZE: 48" & 54" DECK

DESIGNED FOR: EXCEL TWO BAG CATCHER

PTO DRIVEN

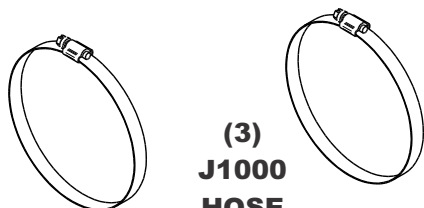
MANUAL #Q0426

A1823 UNIT ASSEMBLY

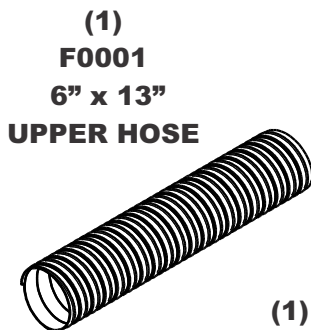


FOR YEAR: 2011-2013

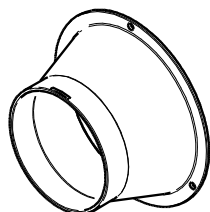
REVISED: 11/16/2011



(3)
J1000
HOSE
CLAMPS



(1)
F0001
6" x 13"
UPPER HOSE



(1)
V0016
BLOWER
CONE 6"



(1)
F0001
6" x 19"
LOWER HOSE



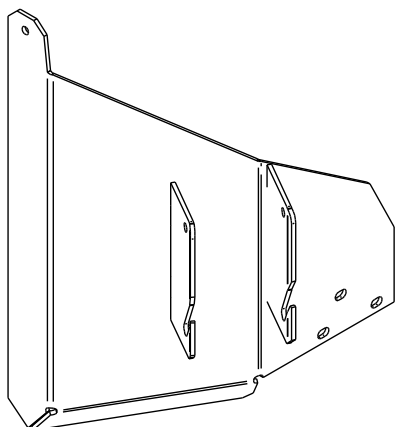
(1)
M0255
A54K KEVLAR
BELT



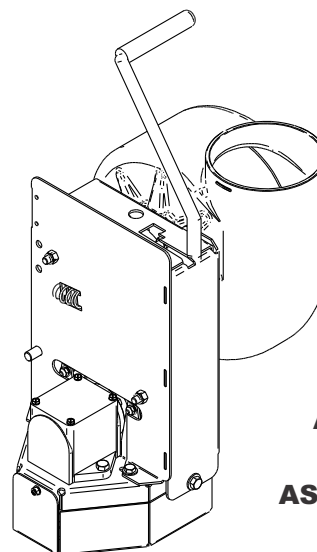
(1)
HB0464
ENGINE
PULLEY
HARDWARE
BAG



(1)
HB0463
UNIT
HARDWARE
BAG



(1)
A1816
PTO MOUNT
PLATE
ASSEMBLY



(1)
A1815
PTO
ASSEMBLY