

MODEL#: 48020901

MOWER NAME: BAD BOY

MOWER MODEL: ZT AND CZT SERIES

MOWER DECK SIZE: 50" & 60"

VAC NAME: PRO 2 BAGGER

PTO DRIVEN / NO PECO LABELS

BILL OF MATERIALS: BOM0332

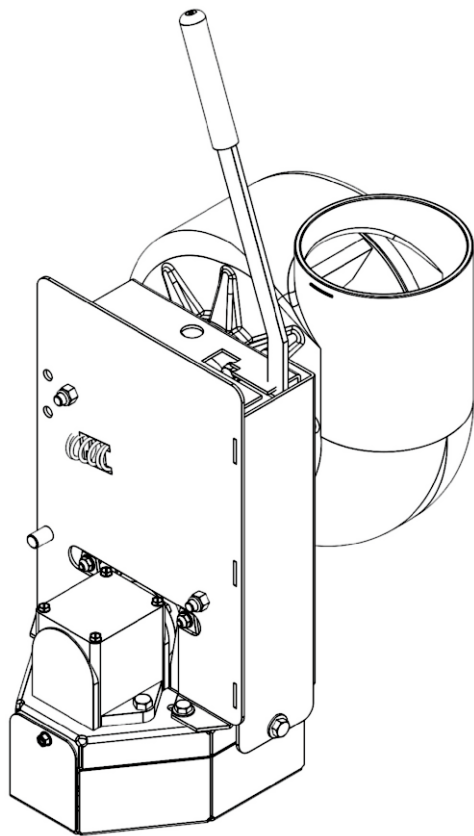


FOR YEAR: 2008 - 2011

REVISED: 7/22/2011

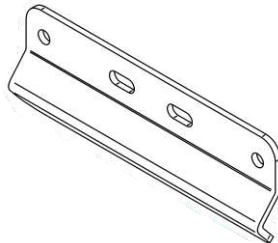
A1042 - UNIT ASSEMBLY

Combine This Pack With 48020902 For Complete Collection System



(1)
**A1111
PTO
ASSEMBLY**

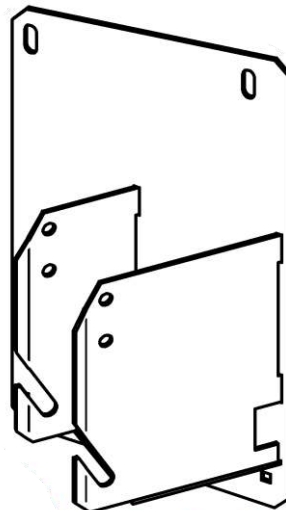
(1)
**B0302
LWR. MNT.
CLAMP BRKT.**



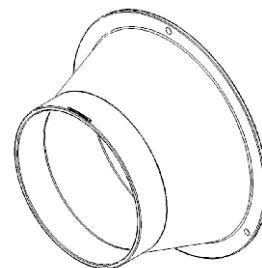
(1)
**HB0354
UNIT ASSY.
H.W. BAG**



(1)
**HB0355
ENGINE
PULLEY
H.W. BAG**



(1)
**A1023
RT. FRAME
MNT. ASSY.**



(1)
**V0016
6" BLOWER
CONE**

**Note: Unit Uses (1) M0247 - A53K Kevlar Belt (Engine To Gear Box)
& (1) M0267 - A28K Kevlar Belt (Gear Box To Blower)**

Note: Replacement Hose 6" x 28" (Lower) and 6" x 18" (Upper)