



Gravely P# 04813700 / PECO P# 12621224

Mower & Type: Gravely Pro Turn Series

Mower Models: Pro Turn 200 Series

Pro Turn 400 Series

Owner's Manual:

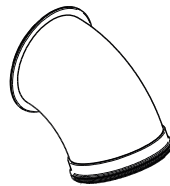
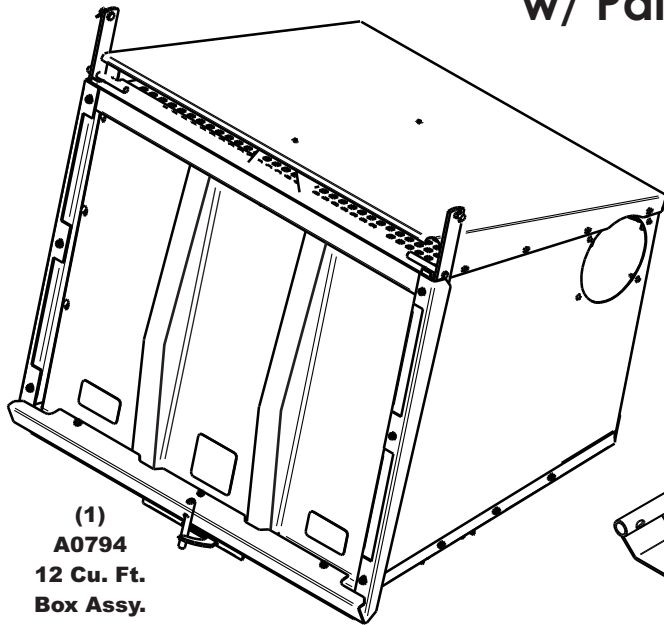
Vac/Drive Type: Pro 12 DFS (12 Cu. Ft.)

Revision #: Initial Release (9/10/2014)

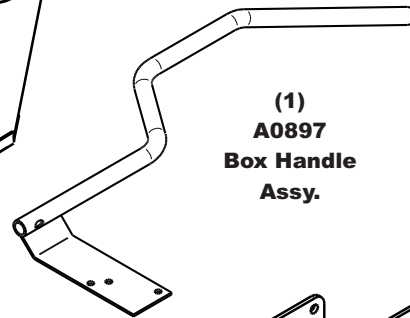
Fits Year(s): 2014

A2004 Vac Kit

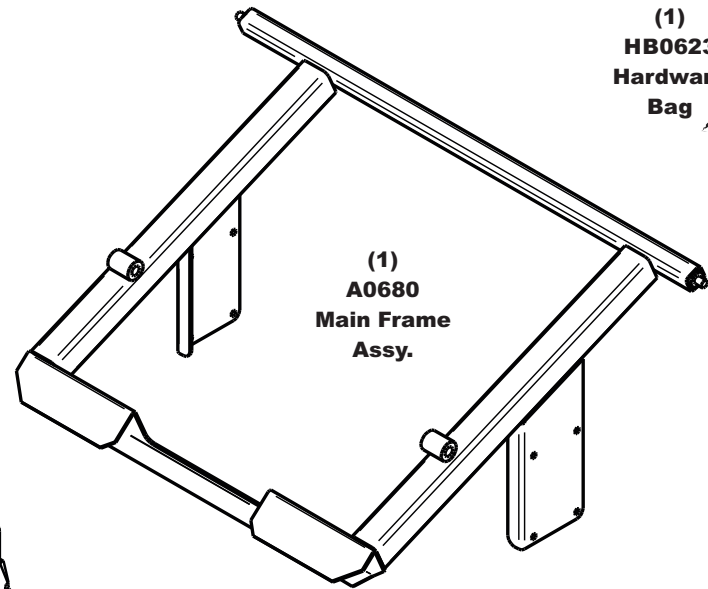
Use the Standard Pro 12 / 5-Sided Crate / 61"L x 44"W x 43"H w/ Pallet & Shrink-Wrap For Internal Parts



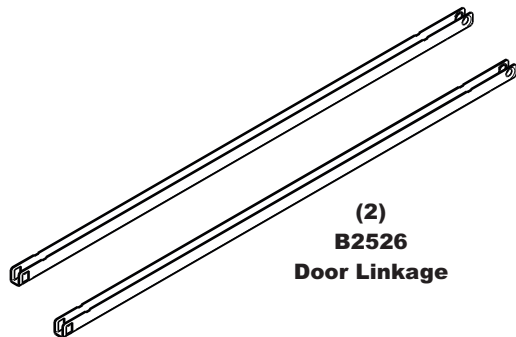
(1)
V1054
7" Plastic
Inlet
(Cut To 7")



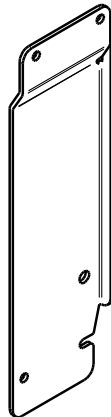
(1)
A0897
Box Handle
Assy.



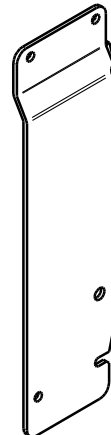
(1)
HB0623
Hardware
Bag



(2)
B2526
Door Linkage



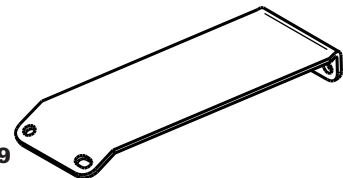
(1)
B0885
Left Lower Main
Frame Leg



(1)
B0886
Right Lower Main
Frame Leg



(1)
B0888
Left Main
Frame Support



(1)
B0889
Right Main
Frame Support