

MODEL#: 43031506

MOWER NAME: BUNTON

MOWER MODEL: BZT-2000 SERIES

MOWER DECK SIZE: 61", 52" & 48" DECK

VAC NAME: 15 CUBIC FOOT PRO BAGGER

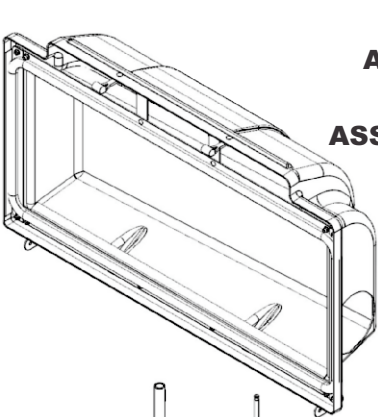
PTO DRIVEN



FOR YEAR: 2007

REVISED:

A0989 UNIT ASSEMBLY



(1)
A0551
TOP
ASSEMBLY

(1)
F0001
6" x 28"
UPPER HOSE



(1)
F0004
7" x 42"
LOWER HOSE



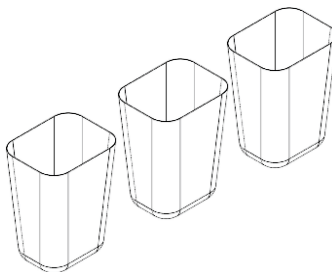
(1)
HB0255
ENGINE
PULLEY
HARDWARE
BAG



(1)
HB0330
HARDWARE
BAG



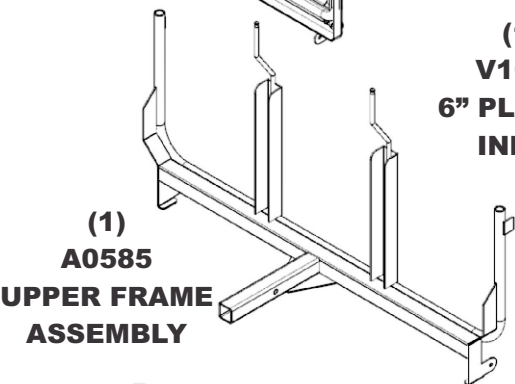
(1)
V1054
6" PLASTIC
INLET



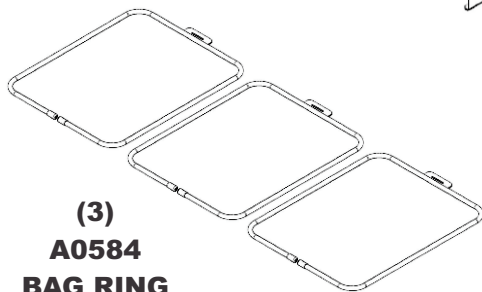
(3)
G0003
4 CU. FT.
COLLECTION
BAGS



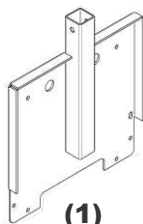
(1)
A0626
PTO
HANDLE



(1)
A0585
UPPER FRAME
ASSEMBLY



(3)
A0584
BAG RING
ASSEMBLY



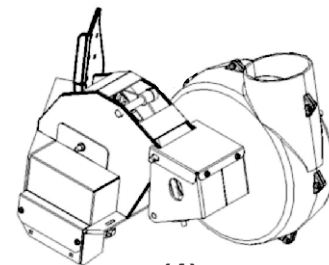
(1)
A0672
LWR. MOUNT
ASSY.



(1)
E6004
BLOWER
CONE 7"



(4)
J1000
2"-10"
HOSE
CLAMPS

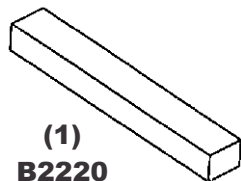


(1)
A0739
PTO
ASSEMBLY

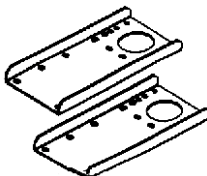
A0683 WEIGHT KIT



(1)
HB0120
HARDWARE
BAG



(1)
B2220
WEIGHT

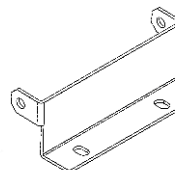


(2)
B0026
WEIGHT
BRACKET

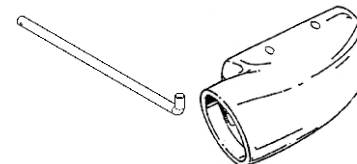
A1741 BOOT KIT



(1)
HB0078
HARDWARE
BAG



(1)
B0435
BOOT
PLATE



(1)
B0288
BOOT
ROD

(1)
E1031
BOOT