

MODEL#: 33031502

MOWER NAME: LESCO

MOWER MODEL: Z2 W/ 23HP & 25HP KW

MOWER DECK SIZE: 48", 54" & 60"

VAC NAME: 12 CUBIC FOOT PRO BAGGER

PTO DRIVEN

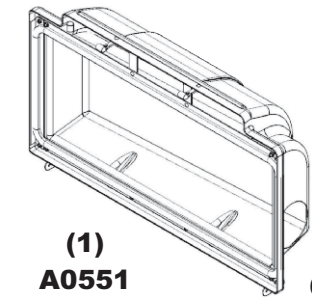
BOM0312



FOR YEAR: 2007-2006

REVISED:

A0886 UNIT ASSEMBLY



(1)
**A0551
TOP
ASSEMBLY**



(1)
**V1054
6" PLASTIC
INLET**



(1)
**7" x 35"
LOWER
HOSE**



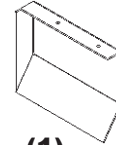
(1)
**6" x 21"
UPPER
HOSE**



(2)
**J0060
6" Hose
Clamp**



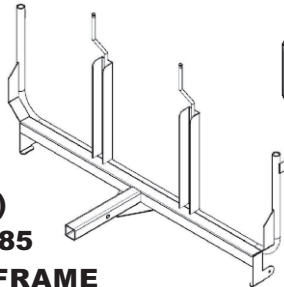
(2)
**J0070
7" Hose
Clamp**



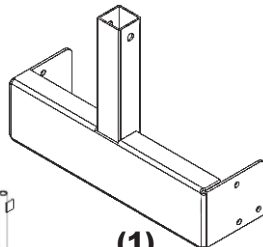
(1)
**C0058
EXHAUST
DEFLECTOR**



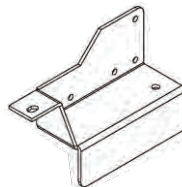
(1)
**HB0324
HARDWARE
BAG**



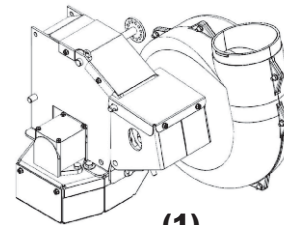
(1)
**A0585
UPPER FRAME
ASSEMBLY**



(1)
**A0848
LWR. MNT
ASSY.**



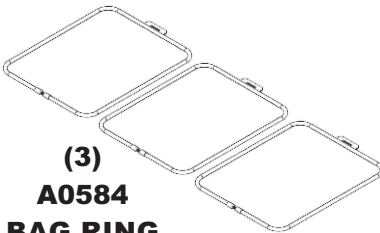
(1)
**B0395
LT. LWR.
MOUNT PL.**



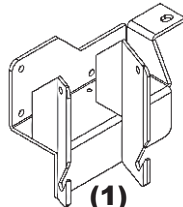
(1)
**A0623
PTO
ASSEMBLY**



(1)
**HB0315
ENGINE
PULLEY
HARDWARE
BAG**



(3)
**A0584
BAG RING
ASSEMBLY**



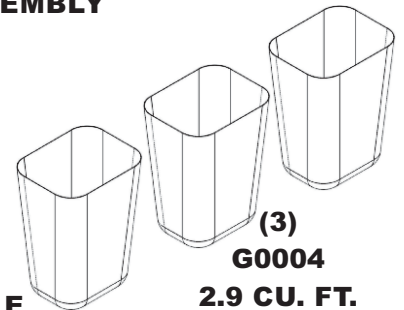
(1)
**A0846
PTO MOUNT
PLATE ASSY.**



(1)
**E6004
7" BLOWER
CONE**



(1)
**A0603
PTO HANDLE
ASSY.**

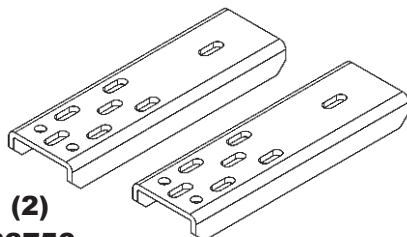


(3)
**G0004
2.9 CU. FT.
COLLECTION
BAGS**

A0693 - WEIGHT KIT



(1)
**HB0319
HARDWARE
BAG**

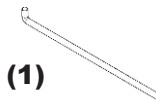


(2)
**B3750
WEIGHT
BRACKET**

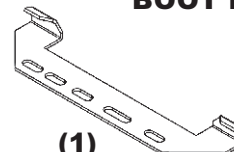
A0690 - BOOT KIT



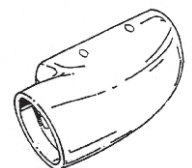
(1)
**HB0078
HARDWARE
BAG**



(1)
**B4331
BOOT ROD**



(1)
**B2555
BOOT
PLATE**



(1)
**E1031
BOOT**