

MODEL#: 18031302

MOWER NAME: NEW HOLLAND

MOWER MODEL: G5030

MOWER DECK SIZE: 60" DECKS

VAC NAME: 15 CUBIC FOOT PRO BAGGER

PTO DRIVEN

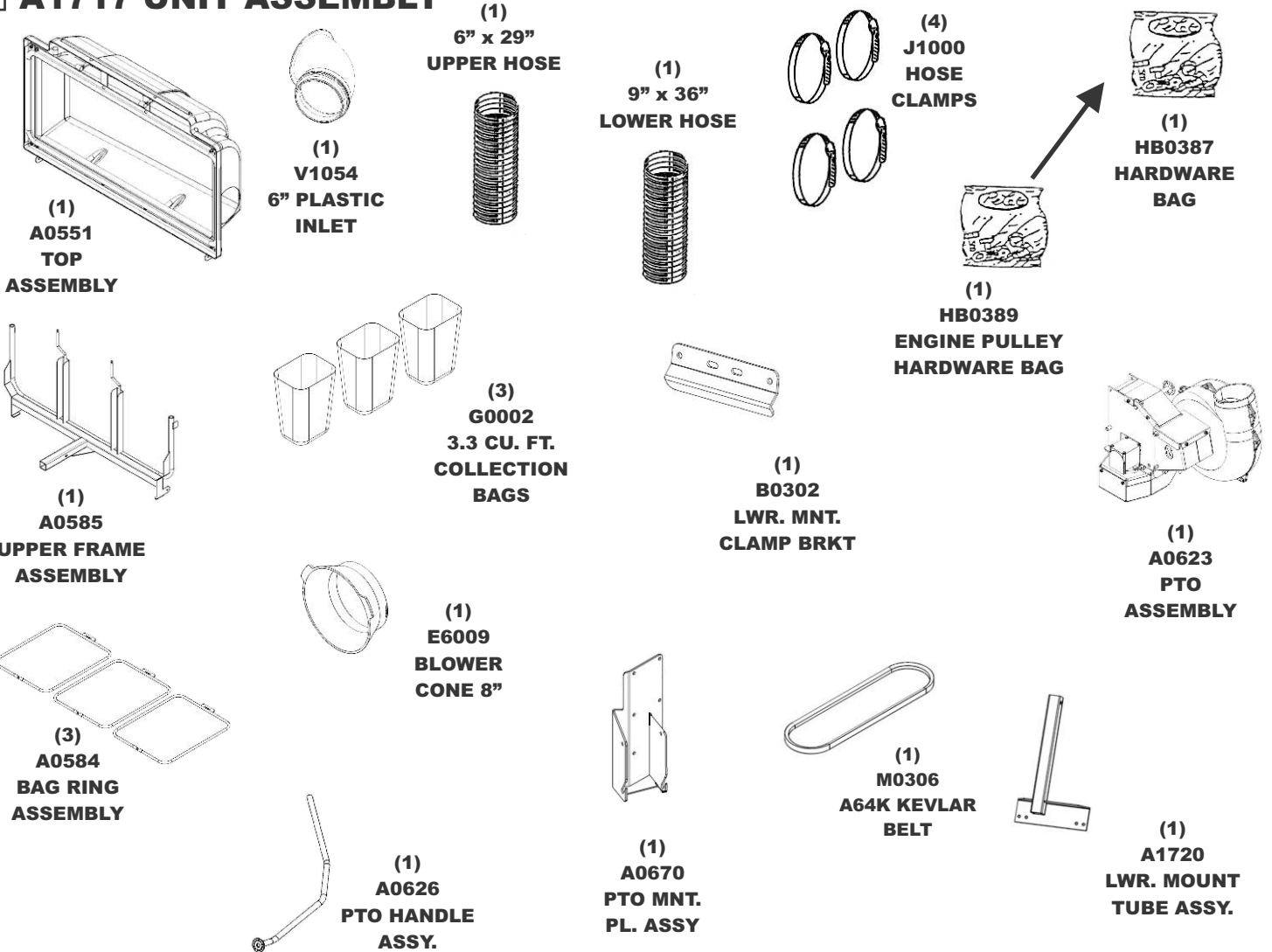
MANUAL #Q0392



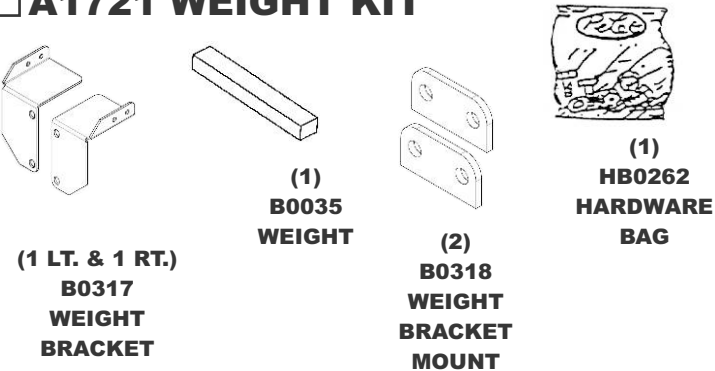
FOR YEAR: 2009

REVISED:

A1717 UNIT ASSEMBLY



A1721 WEIGHT KIT



A1723 60" BOOT KIT

