

# MODEL#: 11031502

MOWER NAME: DIXON

MOWER MODEL: KODIAK

MOWER DECK SIZE: 52"

VAC NAME: 15 CUBIC FOOT PRO BAGGER

PTO DRIVEN

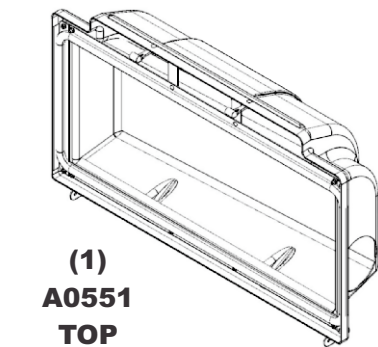
BOM0282

A0699 UNIT ASSEMBLY



FOR YEAR: 2006

REVISED:



(1)  
A0551  
TOP  
ASSEMBLY



(1)  
V1054  
6" PLASTIC  
INLET

(1)  
6" x 30"  
UPPER HOSE



(1)  
8" x 36"  
LOWER HOSE



(2)  
J6006  
7" - 8"  
HOSE  
CLAMPS

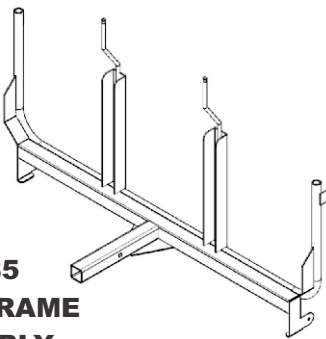


(1)  
HB0272  
HARDWARE  
BAG

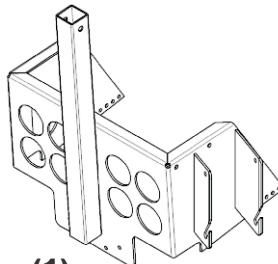


(3)  
G0003  
4 CU. FT.  
COLLECTION  
BAGS

(1)  
HB0273  
ENGINE  
PULLEY  
HARDWARE  
BAG



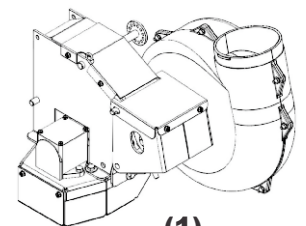
(1)  
A0585  
UPPER FRAME  
ASSEMBLY



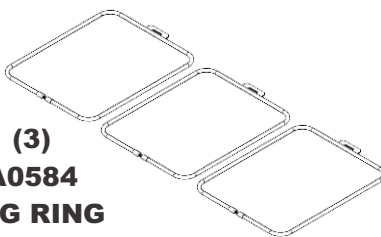
(1)  
A0676  
LWR. MNT.  
ASSEMBLY



(1)  
A0626  
PTO HANDLE  
ASSY.



(1)  
A0623  
PTO  
ASSEMBLY



(3)  
A0584  
BAG RING  
ASSEMBLY

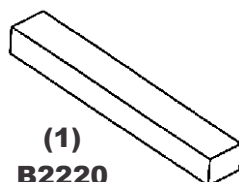


(1)  
E6009  
BLOWER  
CONE 8"

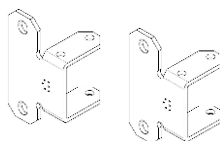
A0700 WEIGHT KIT



(1)  
HB0274  
HARDWARE  
BAG



(1)  
B2220  
WEIGHT

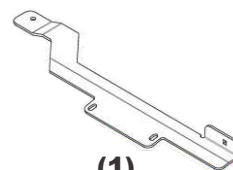


(2)  
B0328  
WEIGHT  
BRACKET

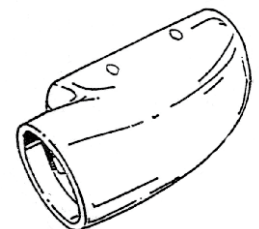
A0701 BOOT KIT



(1)  
HB0270  
HARDWARE  
BAG



(1)  
B0335  
BOOT  
PLATE



(1)  
E1039  
BOOT