

# MODEL#: 11031501

MOWER NAME: DIXON

MOWER MODEL: GRIZZLY

MOWER DECK SIZE: 60"

VAC NAME: 15 CUBIC FOOT PRO BAGGER

PTO DRIVEN

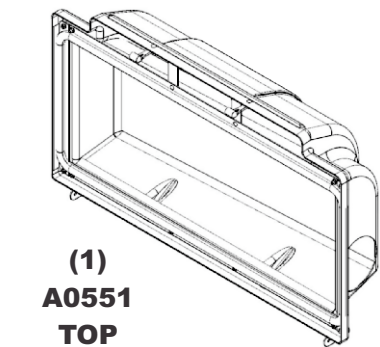
BOM0281

A0698 UNIT ASSEMBLY



FOR YEAR: 2006

REVISED:



(1)  
A0551  
TOP  
ASSEMBLY



(1)  
V1054  
6" PLASTIC  
INLET

(1)  
6" x 30"  
UPPER HOSE



(1)  
8" x 36"  
LOWER HOSE



(2)  
J6006  
7" - 8"  
HOSE  
CLAMPS

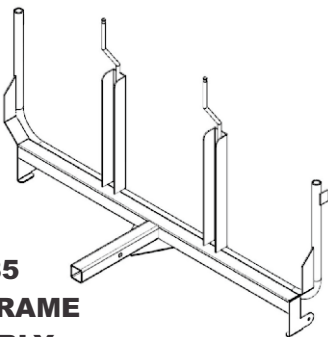


(1)  
HB0271  
HARDWARE  
BAG

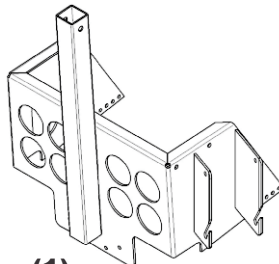


(3)  
G0003  
4 CU. FT.  
COLLECTION  
BAGS

(1)  
HB0269  
ENGINE  
PULLEY  
HARDWARE  
BAG



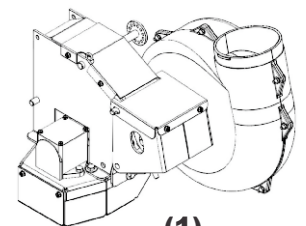
(1)  
A0585  
UPPER FRAME  
ASSEMBLY



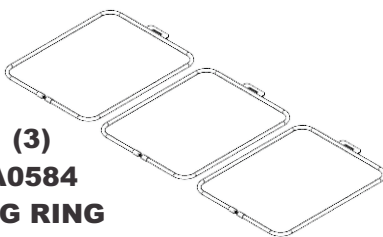
(1)  
A0676  
LWR. MNT.  
ASSEMBLY



(1)  
A0626  
PTO HANDLE  
ASSY.



(1)  
A0623  
PTO  
ASSEMBLY



(3)  
A0584  
BAG RING  
ASSEMBLY

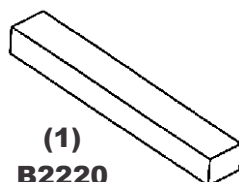


(1)  
E6009  
BLOWER  
CONE 8"

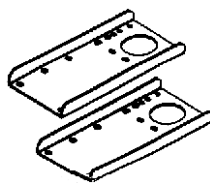
A0683 WEIGHT KIT



(1)  
HB0120  
HARDWARE  
BAG



(1)  
B2220  
WEIGHT

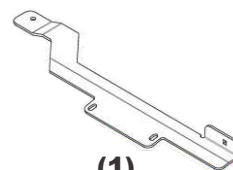


(2)  
B0026  
WEIGHT  
BRACKET

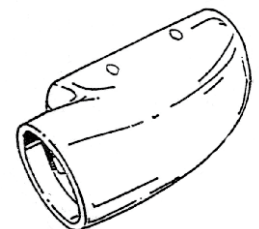
A0697 BOOT KIT



(1)  
HB0270  
HARDWARE  
BAG



(1)  
B0336  
BOOT  
PLATE



(1)  
E0013  
BOOT