

# MODEL#: 43031504

**MOWER NAME: BUNTON**

**MOWER MODEL: BZT-2000 SERIES**

**MOWER DECK SIZE: 61", 52" & 48" DECK**

**VAC NAME: 15 CUBIC FOOT PRO BAGGER**

**ENG: 900 SER. BR (9.00 GROSS TORQUE / 205 cc)**

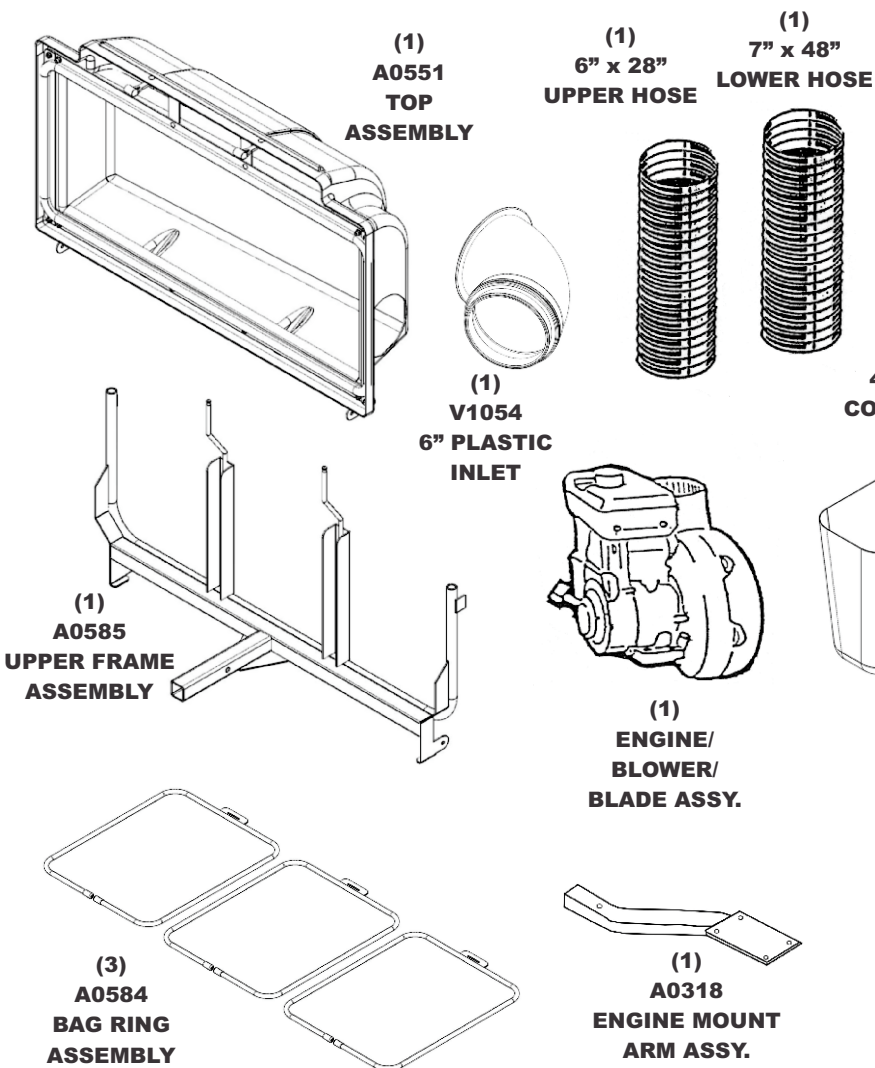
**BOM0318**



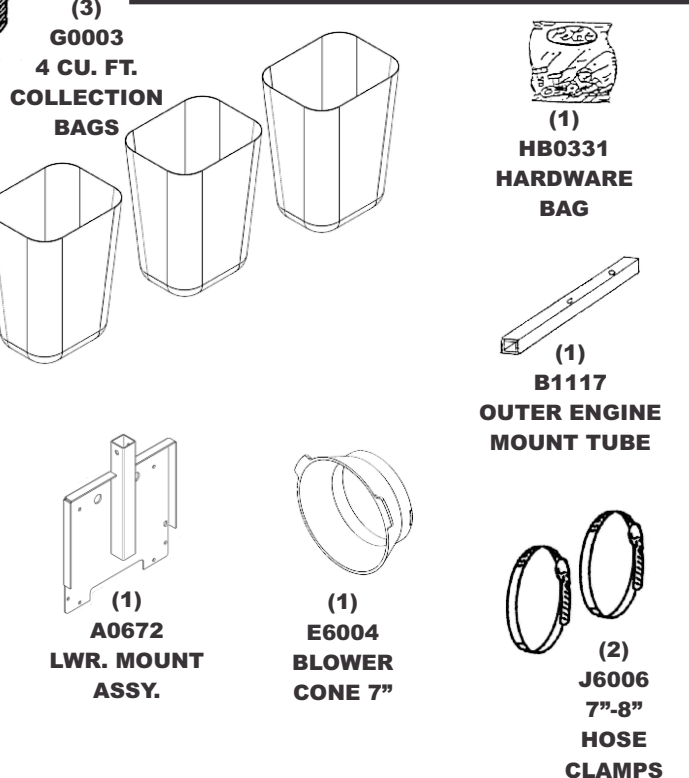
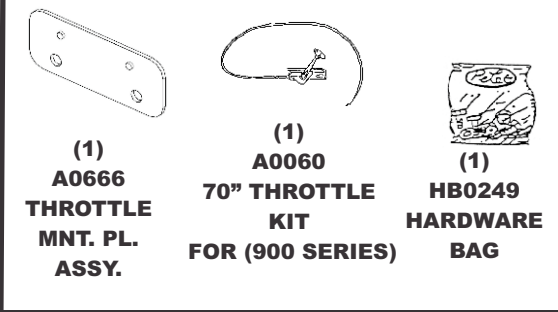
FOR YEAR: 2007

REVISED: 5/10/2012

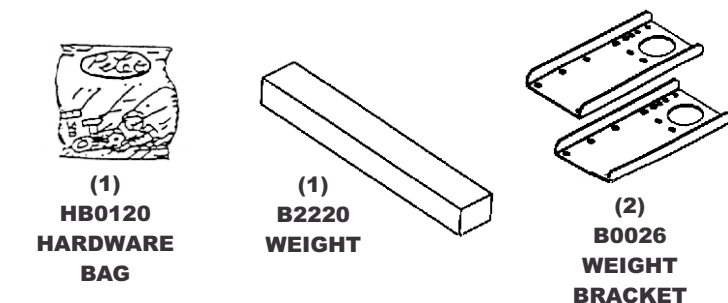
## A0990 UNIT ASSEMBLY



## A0619 THROTTLE KIT



## A0683 WEIGHT KIT



## A0908 BOOT KIT

