

MODEL#: 43031501

MOWER NAME: BUNTON

MOWER MODEL: BZT-2000 SERIES

MOWER DECK SIZE: 61", 52" & 48" DECK

VAC NAME: 15 CUBIC FOOT PRO BAGGER

ENG: 900 SER. BR (9.00 GROSS TORQUE / 205 cc)

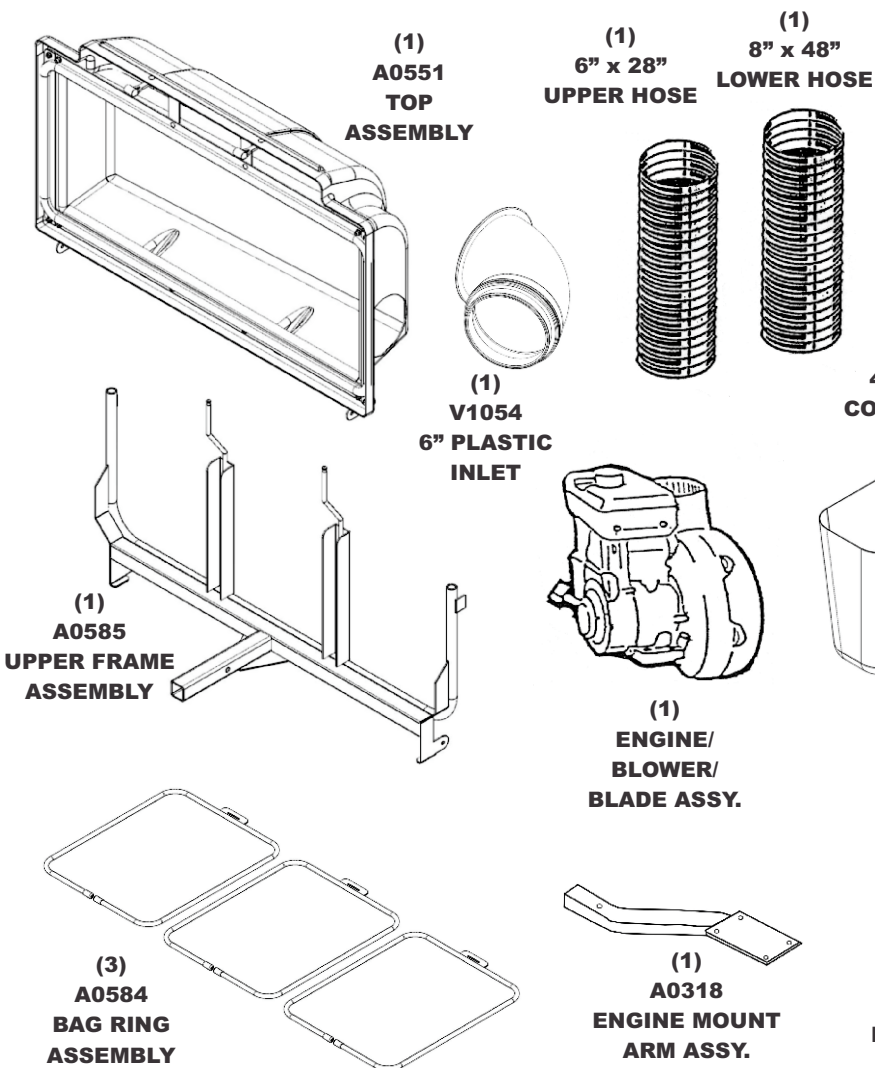
BOM0275



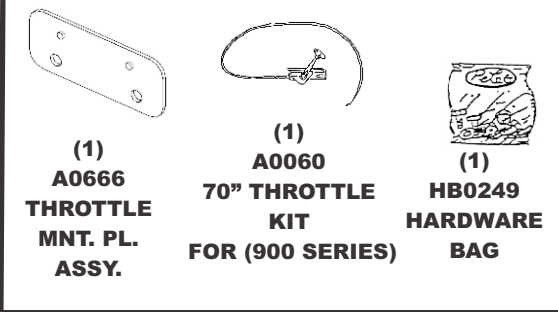
FOR YEAR: 2006 - BELOW

REVISED: 5/10/2012

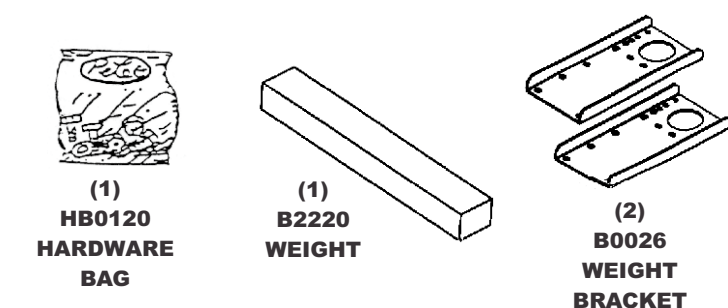
A0687 UNIT ASSEMBLY



A0619 THROTTLE KIT



A0683 WEIGHT KIT



A0684 BOOT KIT

