

MODEL#: 51031201

MOWER NAME: WALKER

MOWER MODEL: SUPER BEE

MOWER DECK SIZE: 60" DECK

VAC NAME: PRO 3 BAGGER

DECK DRIVEN PTO

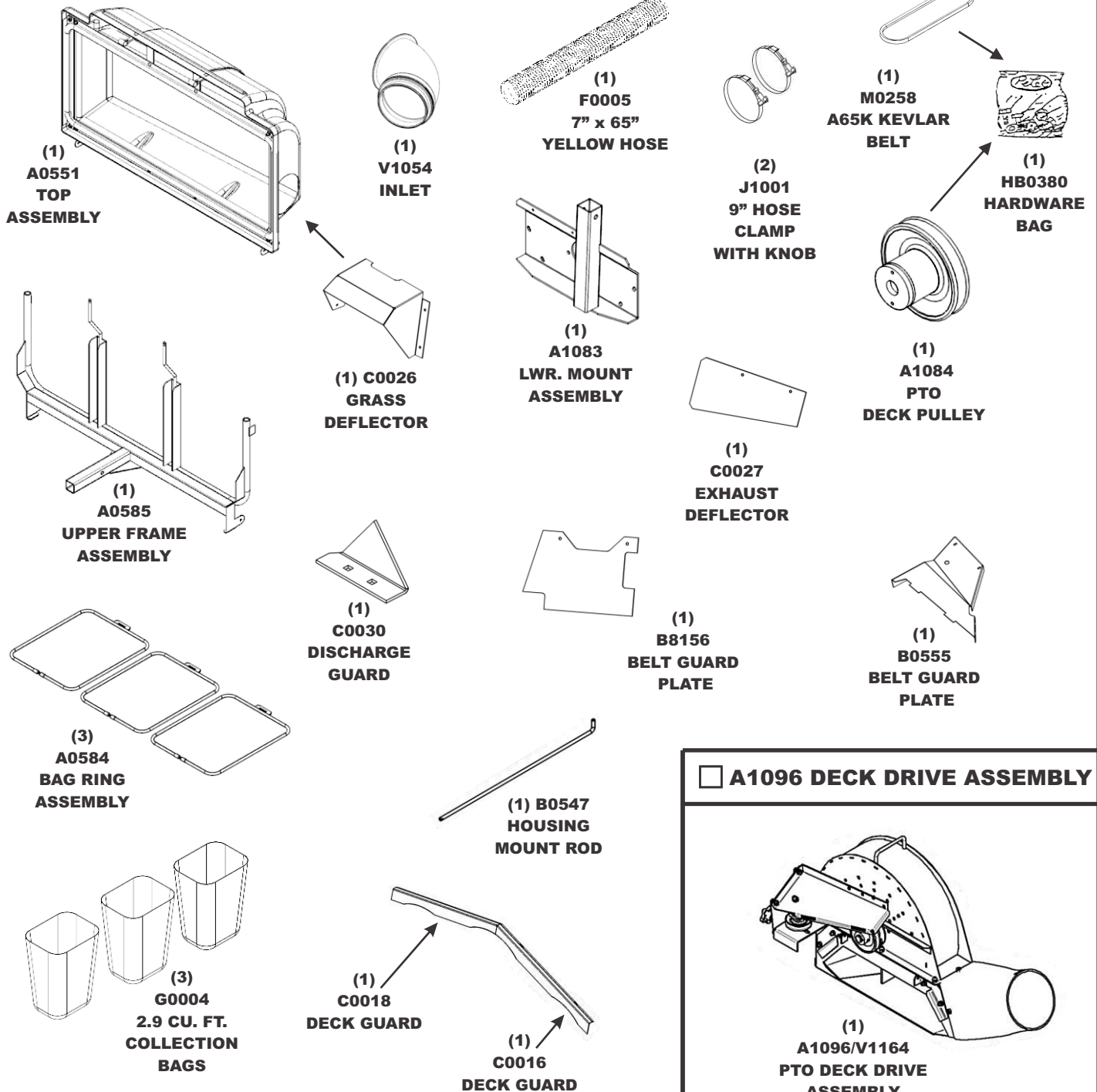
MANUAL Q0388

A1095 UNIT ASSEMBLY



FOR YEAR: 2010

REVISED:



A1096 DECK DRIVE ASSEMBLY

