

MODEL#: 39621228

MOWER NAME: GREAT DANE

MOWER MODEL: CHARIOT LX- 27 HP KOHLER

MOWER DECK SIZE: 61" DECK

VAC NAME: 12 CUBIC FOOT BOX



NOTE: WILL ONLY FIT CHARIOT MOWER WITH A KOHLER ENGINE

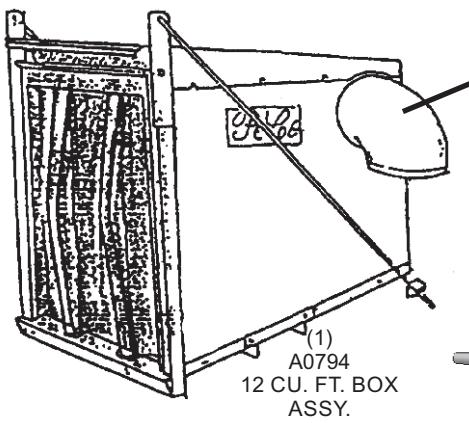


FOR YEAR: 2005 - 2003

REVISED: 04/26/06

WAS 396212LX-PTO-04(27KH)

A0536 12 PTO VAC UNIT ASSEMBLY



(1) V1054 6" PLASTIC INLET

(1) A0794 12 CU. FT. BOX ASSY.

(1) A0273 BOX HANDLE



(1) 6" x 38" UPPER HOSE



(1) 8" x 38" LOWER HOSE



(2) J0060 6" HOSE CLAMPS



(2) J0080 8" HOSE CLAMPS



(1) HB0195 HARDWARE BAG



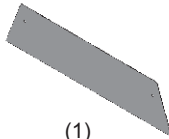
(1) HB0197 ENGINE PULLEY HARDWARE BAG



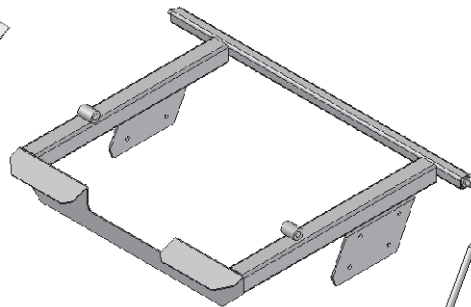
(1) B0064 LEFT LOWER MAIN FRAME LEG



(1) B0149 RIGHT LOWER MAIN FRAME LEG



(1) C0015 HEAT GUARD



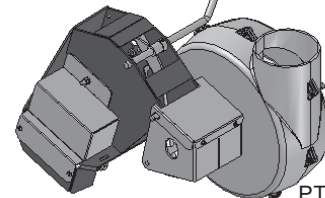
(1) A0452 TOP MAIN FRAME ASSEMBLY



(1) B0153 PTO ARM BRACE



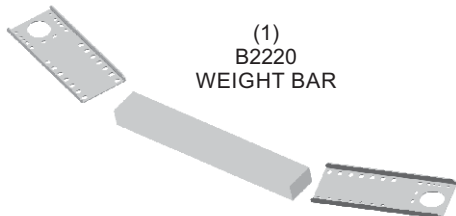
(1) E6009 8" BLOWER CONE



(1) A0537 PTO ASSEMBLY

A0508-UNIVERSAL WEIGHT KIT

(2) B0026 WEIGHT BRACKETS



(1) B2220 WEIGHT BAR

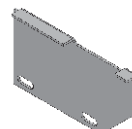


(1) HB0183 HARDWARE BAG

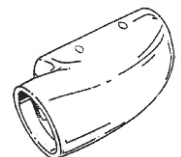
A0534-61" BOOT KIT



(1) HB0194 HARDWARE BAG



(1) B0088 BOOT PLATE



(1) E1030 BOOT