

MODEL#: 39621227

MOWER NAME: GREAT DANE

MOWER MODEL: CHARIOT LX- 25 HP KOHLER + 25 HP KAW.

MOWER DECK SIZE: 61" DECK

VAC NAME: 12 CUBIC FOOT BOX

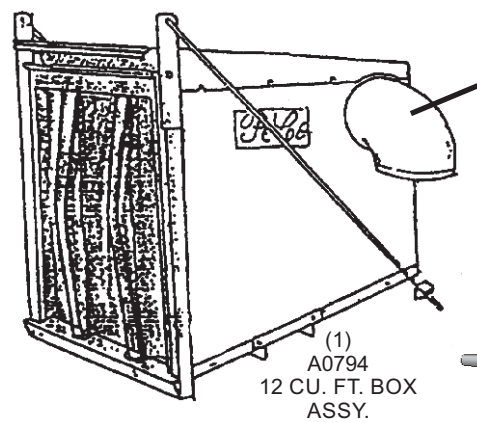


FOR YEAR: 2005 - 2003

REVISED: 04/26/06

WAS
396212LX-PTO-04(KH25&KA25)

A0536 12 PTO VAC UNIT ASSEMBLY



(1)
V1054
6" PLASTIC
INLET



(1)
6" x 38"
UPPER
HOSE



(1)
8" x 38"
LOWER
HOSE



(2)
J0060
6" HOSE
CLAMPS



(2)
J0080
8" HOSE
CLAMPS



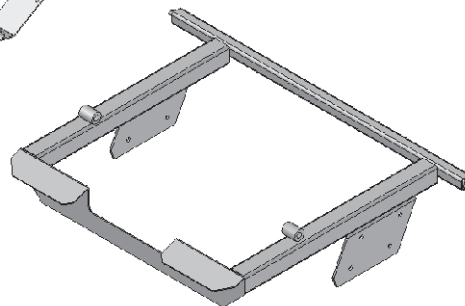
(1)
HB0195
HARDWARE
BAG



(1)
HB0201
ENGINE PULLEY
HARDWARE BAG



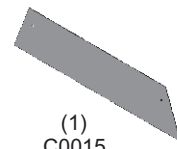
(1)
A0273
BOX HANDLE



(1)
A0452
TOP MAIN FRAME
ASSEMBLY



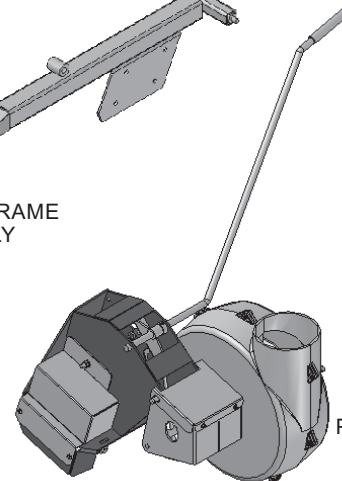
(1)
E6009
8" BLOWER
CONE



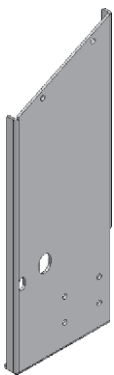
(1)
C0015
HEAT GUARD



(1)
B0153
PTO ARM BRACE



(1)
A0537
PTO ASSEMBLY



(1)
B0064 LEFT
LOWER MAIN FRAME LEG



(1)
B0149 RIGHT
LOWER MAIN FRAME LEG

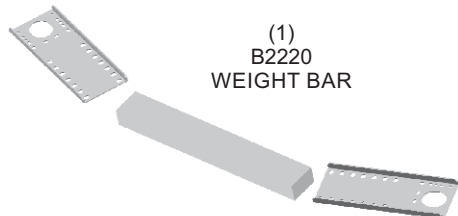
A0508-UNIVERSAL WEIGHT KIT

(2)
B0026
WEIGHT
BRACKETS



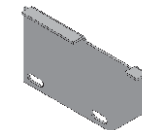
(1)
HB0183
HARDWARE
BAG

(1)
B2220
WEIGHT BAR

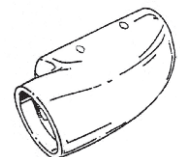


A0534-61" BOOT KIT

(1)
HB0194
HARDWARE BAG



(1)
B0088
BOOT PLATE



(1)
E1030
BOOT