

MODEL#: 39621225

MOWER NAME: GREAT DANE

MOWER MODEL: CHARIOT - KAWASAKI 23 & 25 HP

MOWER DECK SIZE: 61"

VAC NAME: 12 CUBIC FOOT BOX



NOTE: WILL ONLY FIT CHARIOT MOWER WITH A KAWASAKI ENGINE

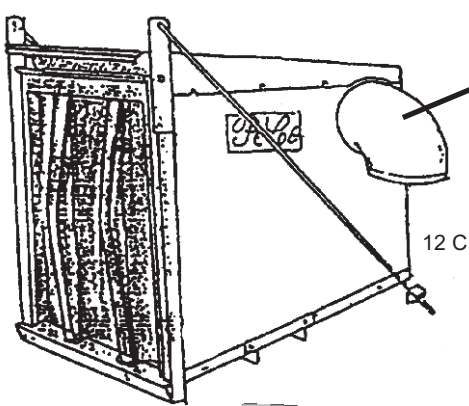


FOR YEAR: 2005 - 2003

REVISED: 04/26/06

WAS
396212-PTO-04(KA23&KA25)

A0521 12 PTO UNIT ASSEMBLY



(1)
V1054
6" PLASTIC
INLET

(1)
A0794
12 CU. FT. BOX
ASSY.



(1)
6" x 38"
UPPER
HOSE



(1)
8" x 38"
LOWER
HOSE



(2)
J0060
6" HOSE
CLAMPS



(2)
J0080
8" HOSE
CLAMPS

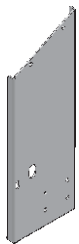


(1)
HB0195
HARDWARE
BAG



(1)
HB0196
ENGINE PULLEY
HARDWARE BAG

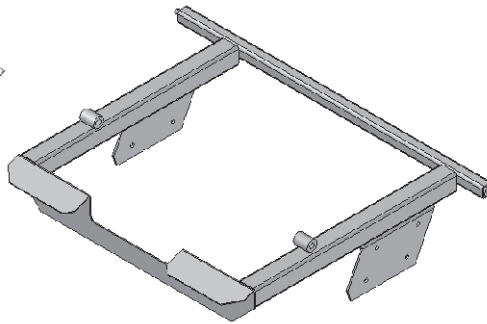
(1)
A0273
BOX HANDLE



(1)
B0064 LEFT
LOWER MAIN FRAME LEG



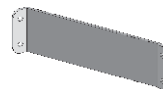
(1)
B0149 RIGHT
LOWER MAIN FRAME LEG



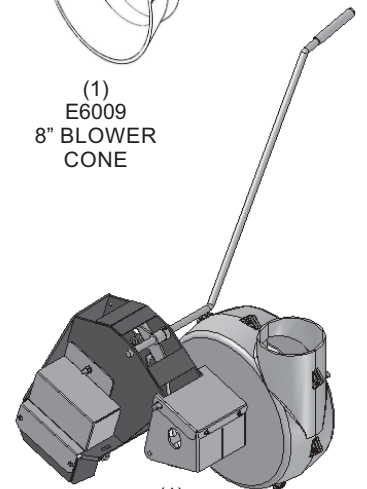
(1)
A0452
TOP MAIN FRAME
ASSEMBLY



(1)
E6009
8" BLOWER
CONE



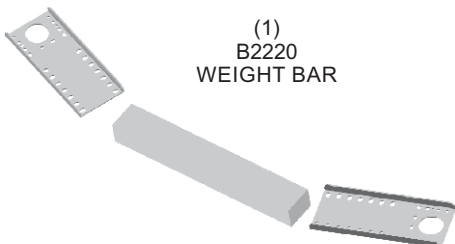
(1)
B0153
PTO ARM BRACE



(1)
A0537
PTO ASSEMBLY

A0508-UNIVERSAL WEIGHT KIT

(2)
B0026
WEIGHT
BRACKETS



(1)
B2220
WEIGHT BAR

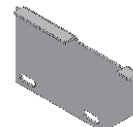


(1)
HB0183
HARDWARE
BAG

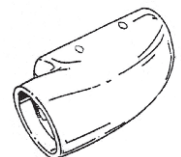
A0534-61" BOOT KIT



(1)
HB0194
HARDWARE BAG



(1)
B0088
BOOT PLATE



(1)
E1030
BOOT