

MODEL#: 43621201

MOWER NAME: TEXTRON BUNTON BZT-2000 SERIES

MOWER MODEL: SEE BACK OF PAGE

MOWER DECK SIZE: (48", 52", & 61" DECKS)

VAC NAME: 12 CUBIC FOOT BOX

ENG: 900 SER. BR (9.00 GROSS TORQUE / 205 cc)

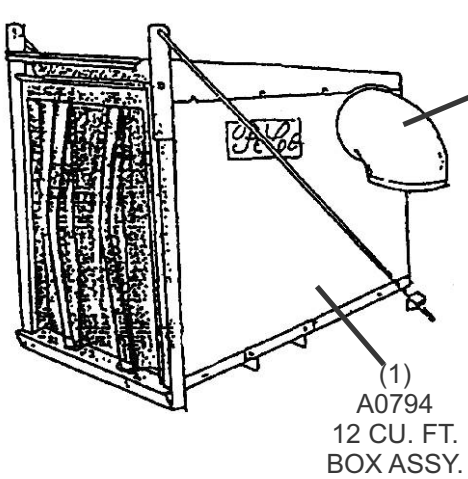
NOTE:



FOR YEAR: 2005 & BELOW

REVISED: 5/8/2012

WAS:
436212-BZT-03

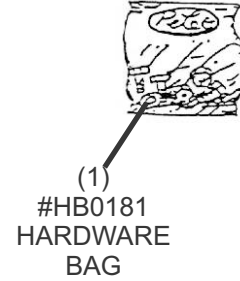


(1)
A0794
12 CU. FT.
BOX ASSY.

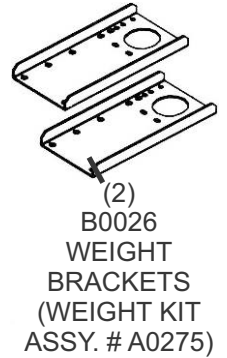
(1)
V1054
6" PLASTIC
INLET



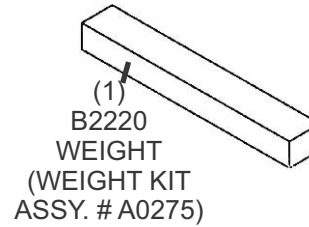
(1)
A0060
SHORT THROTTLE
KIT FOR 900 SERIES



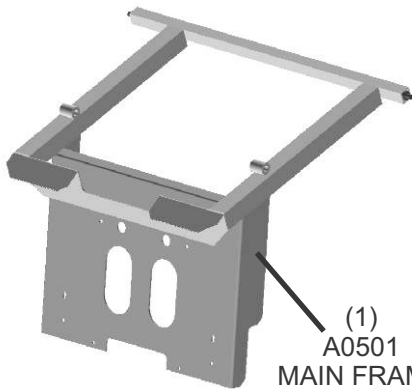
(1)
#HB0181
HARDWARE
BAG



(2)
B0026
WEIGHT
BRACKETS
(WEIGHT KIT
ASSY. # A0275)

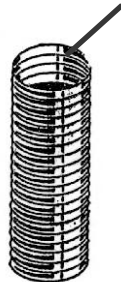


(1)
B2220
WEIGHT
(WEIGHT KIT
ASSY. # A0275)

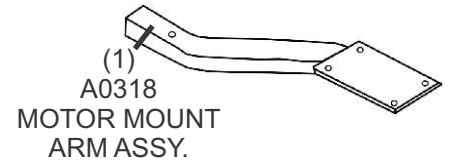
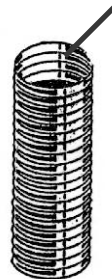


(1)
A0501
MAIN FRAME
ASSY.

(1)
6" x 32"
UPPER
HOSE

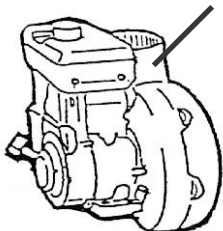


(1)
8" x 48"
LOWER
HOSE



(1)
A0318
MOTOR MOUNT
ARM ASSY.

(1)
ENGINE/
BLOWER/
BLADE ASSY.



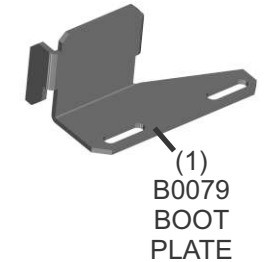
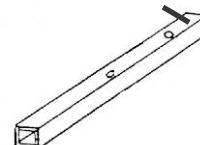
(1)
E6009
8" BLOWER
CONE



(2)
J6006
7" - 8"
HOSE CLAMPS

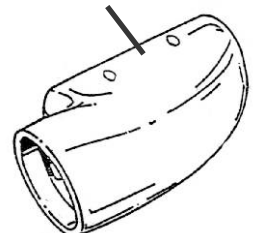


(1)
B1117
OUTER MOTOR
MOUNT TUBE



(1)
B0079
BOOT
PLATE

(1)
E1030
BOOT



2005-2004

BZT-2190
BZT-2230
BZT-2250
BZT-2260 EFI

2003

BZT-2190
BZT-2230
BZT-2250
BZT-2260 EFI

2002

BZT-2190
BZT-2230
BZT-2250
BZT-2260 EFI

2001

BZT-2190
BZT-2230
BZT-2250
BZT-2260 EFI

2000

BZT-2190
BZT-2230
BZT-2250
BZT-2260 EFI