

# MODEL#: 39621211

MOWER NAME: GREAT DANE CHARIOT JR.

MOWER MODEL: GDRZ48-19KAE

MOWER DECK SIZE: 48" DECK

VAC NAME: 12 CUBIC FOOT BOX

ENG: 900 SER. BR (9.00 GROSS TORQUE / 205 cc)

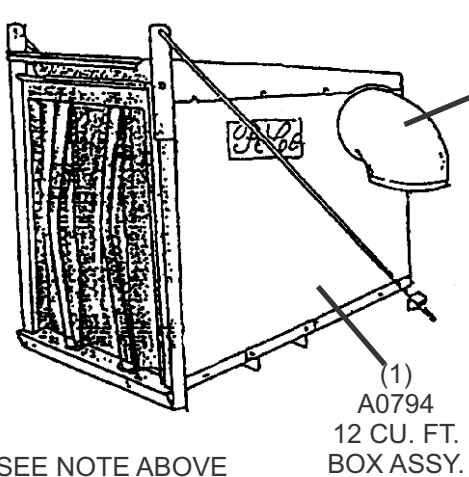
NOTE: USE A0972 MAIN FRAME ASSEMBLIES UNTIL STOCK IS DEPLETED



FOR YEAR: 2002 & BELOW

REVISED: 5/8/2012

WAS  
396212-JR-02



(1)  
V1054  
6" PLASTIC  
INLET

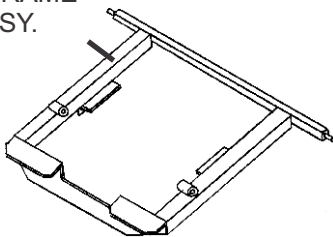
(1)  
B3727  
OUTER MOTOR  
MOUNT TUBE

(1)  
A0060  
SHORT THROTTLE KIT  
FOR (900 SERIES)

(1)  
#A08227  
HARDWARE  
BAG

SEE NOTE ABOVE  
BEFORE PACKING!

(1)  
A0413  
TOP FRAME  
ASSY.

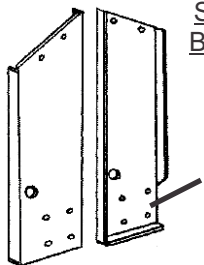


(1)  
6" x 26"  
UPPER  
HOSE

(1)  
7" x 32"  
LOWER  
HOSE

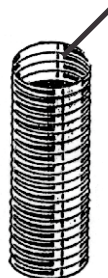
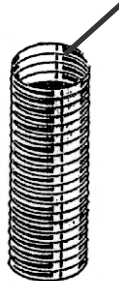
(1)  
A0971  
MOTOR MOUNT  
ARM ASSY.

(1)  
B3805  
BOOT PLATE



SEE NOTE ABOVE  
BEFORE PACKING!

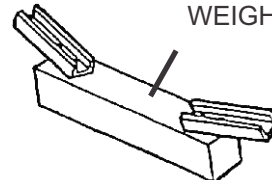
(2)  
B0064  
LEFT & RIGHT  
SIDE LEGS



(1)  
A0978  
WEIGHT ASSY.



(1)  
ENGINE/  
BLOWER/  
BLADE ASSY.



(2)  
J6006  
7" - 8"  
HOSE CLAMPS

(1)  
E1041  
BOOT

