

# MODEL#: 43621210

MOWER NAME: TEXTRON BUNTON BZT-2000 SERIES

MOWER MODEL: SEE BACK OF PAGE

MOWER DECK SIZE: (48", 52", & 61" DECKS)

VAC NAME: 12 CUBIC FOOT BOX



6.5HP BRIGGS AND STRATTON VANGUARD

**NOTE:**

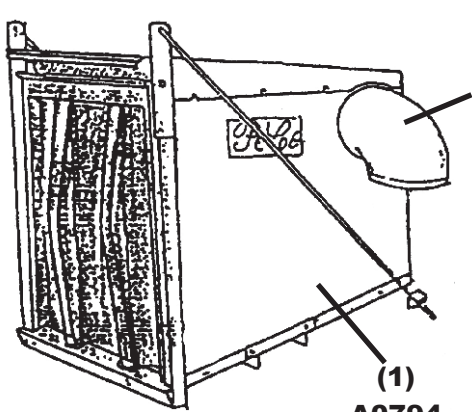


FOR YEAR: 2005 & BELOW

REVISED: 12/20/11

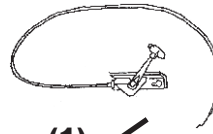
WAS:

436212-BZT-03



(1)  
A0794  
12 CU. FT.  
BOX ASSY.

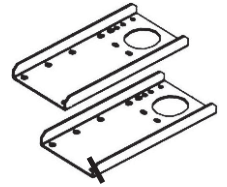
(1)  
V1054  
6"  
PLASTIC  
INLET



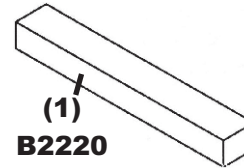
(1)  
A0060  
70" LONG  
THROTTLE KIT  
FOR (5.5 & 6.5HP)



(1)  
#HB0181  
HARDWARE  
BAG



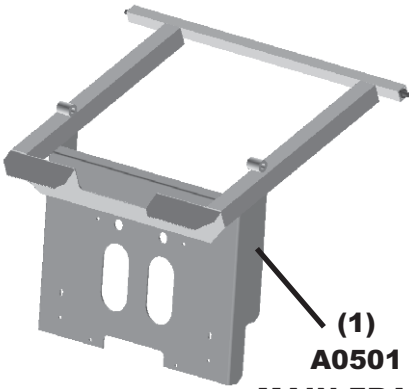
(2)  
B0026  
WEIGHT  
BRACKETS  
(WEIGHT KIT  
ASSY. # A0275)



(1)  
B2220  
WEIGHT  
(WEIGHT KIT  
ASSY. # A0275)



(1)  
B0079  
BOOT  
PLATE

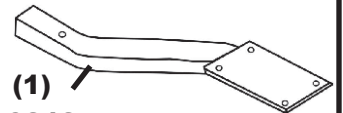


(1)  
A0501  
MAIN FRAME  
ASSY.

(1)  
6" x 32"  
UPPER  
HOSE

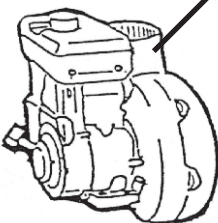


(1)  
8" x 48"  
LOWER  
HOSE



(1)  
A0318  
MOTOR  
MOUNT  
ARM ASSY.

(1)  
A639  
ENGINE/  
BLOWER/  
BLADE ASSY.



(1)  
E6009  
8" BLOWER  
CONE

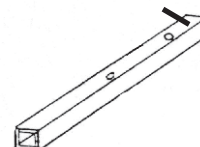


(2)  
J0060  
6" Hose  
Clamps

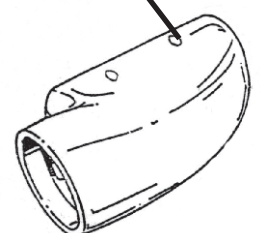


(2)  
J0080  
8" Hose  
Clamps

(1)  
B1117  
OUTER MOTOR  
MOUNT TUBE



(1)  
E1030  
BOOT



## 2005-2004

BZT-2190  
BZT-2230  
BZT-2250  
BZT-2260 EFI

## 2003

BZT-2190  
BZT-2230  
BZT-2250  
BZT-2260 EFI

## 2002

BZT-2190  
BZT-2230  
BZT-2250  
BZT-2260 EFI

## 2001

BZT-2190  
BZT-2230  
BZT-2250  
BZT-2260 EFI

## 2000

BZT-2190  
BZT-2230  
BZT-2250  
BZT-2260 EFI