

MODEL#: 33621207

MOWER NAME: LESCO Z2

MOWER MODEL: (ALL MODELS)

MOWER DECK SIZE: (N/A SEE NOTE BELOW)

VAC NAME: 12 CUBIC FOOT BOX



6.5 BRIGGS AND STRATTON VANGUARD

USE PECO LOGOS AND SERIAL PLATES

(OPTIONAL) ENGINE BUMPER GUARD

NOTE: AS OF 4-28-03 NO BOOT/BOOT PLATE AVAILABLE

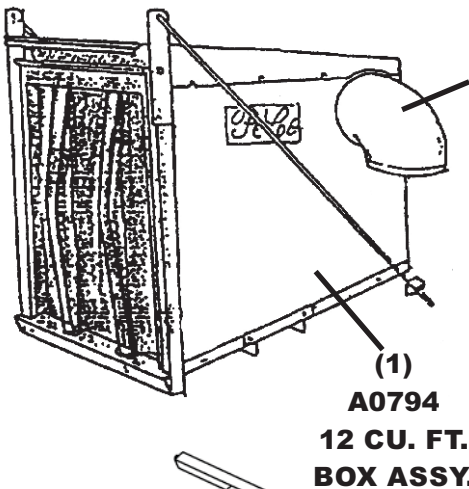
NOTE: NO WEIGHT ASSEMBLY REQUIRED SEND WEIGHT BRACKETS ONLY (06/27/00)



FOR YEAR: 2005 & BELOW

REVISED: 12/19/11

**WAS
336212-03**

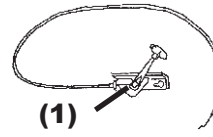


(1)
V1054
6"
PLASTIC
INLET

(1)
6" x 38"
UPPER
HOSE



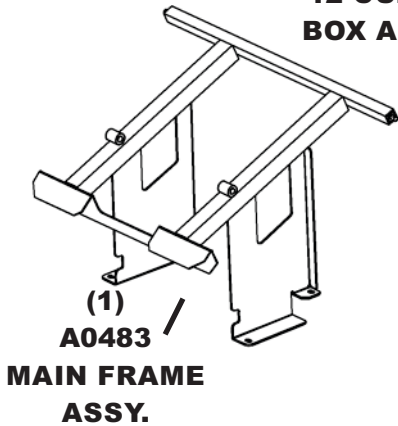
(1)
8" x 35"
LOWER
HOSE



(1)
A0060
70" THROTTLE
CABLE
KIT FOR (5.5 &
6.5HP)



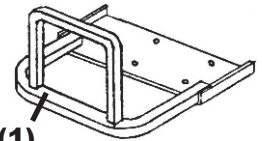
(1)
#HB0174
HARDWARE
BAG



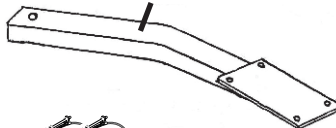
(2)
B3750
WEIGHT
BRACKETS



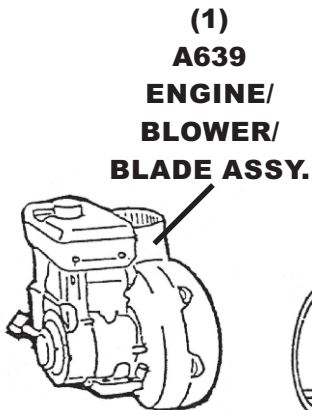
(1)
A0976
ENGINE MOUNT
ARM ASSY.



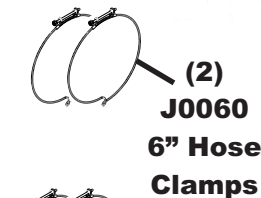
(1)
A0244
(OPTIONAL)
ENGINE GUARD
ASSY.



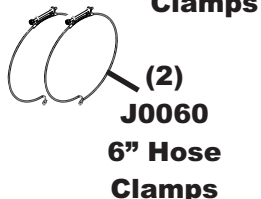
(1)
B1775
THROTTLE
PLATE



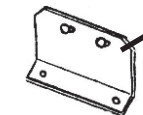
(1)
E6009
8" BLOWER
CONE



(2)
J0060
6" Hose
Clamps



(2)
J0060
6" Hose
Clamps



(1)
A0977
OUTER
ENGINE
MOUNT ASSY.

