

# MODEL#: 12621219

**MOWER NAME: GRAVELY PROMASTER**

**MOWER MODEL: PM 260Z & PM 270Z**

**MOWER DECK SIZE: (50" DECK)**

**VAC NAME: 12 CUBIC FOOT BOX**

**6.5HP BRIGGS AND STRATTON VANGUARD**

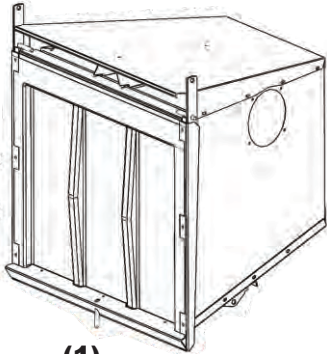
## NOTE:



**FOR YEAR: 2000-2001**

**REVISED: 12/19/11**

**WAS - 126212-PM260-01 & 126212-PM270-01**



(1)  
**A0794**  
**12 CU. FT.**  
**BOX ASSY.**



(1)  
**E8010**  
**HOSE**  
**RING**



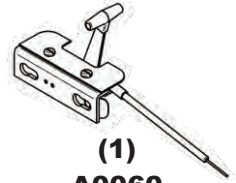
(1)  
**V1052**  
**INLET W/**  
**LOCKING PIN**



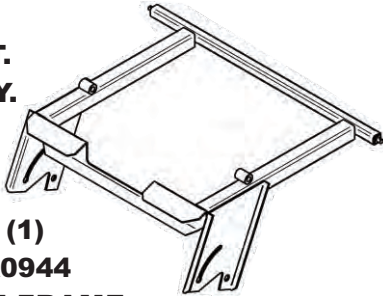
(1)  
**8" x 36"**  
**LOWER**  
**HOSE**



(1)  
**6" x 52"**  
**UPPER**  
**HOSE**



(1)  
**A0060**  
**70" LONG THROTTLE**  
**KIT FOR (5.5 & 6.5HP)**



(1)  
**A0944**  
**MAIN FRAME**  
**ASSY.**

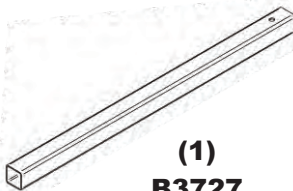
(2)  
**B2583**  
**MOUNTIN**  
**G**

(1)  
**A0231**  
**LEFT SIDE**  
**LEG ASSY.**

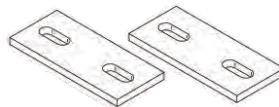
(1)  
**A0981**  
**RIGHT SIDE**  
**LEG ASSY.**



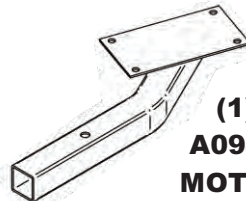
(1)  
**#HB0040**  
**HARDWAR**  
**E**



(1)  
**B3727**  
**OUTER MOTOR**  
**MOUNT TUBE**



(1)  
**B2539**  
**BOOT**  
**PLATE**

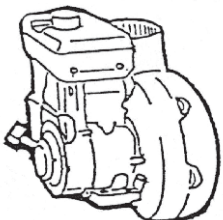


(1)  
**A0943**  
**MOTOR**  
**MOUNT**

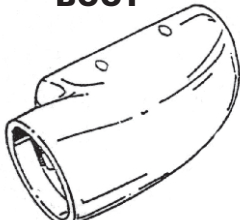


(1)  
**B2540**  
**BOOT**  
**ROD**

(1)  
**A639**  
**ENGINE/**  
**BLOWER/**  
**BLADE ASSY.**



(1)  
**E1033**  
**BOOT**



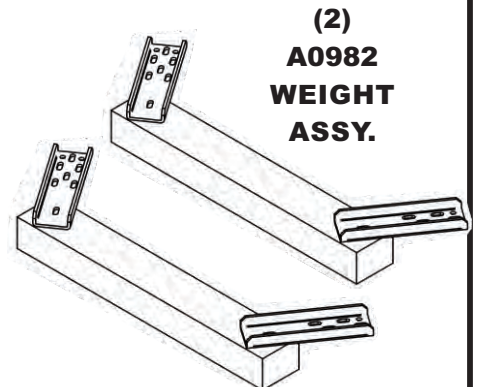
(1)  
**E6009**  
**8" BLOWER**  
**CONE**



(2)  
**J0060**  
**6" Hose**  
**Clamps**



(2)  
**J0080**  
**8" Hose**  
**Clamps**



(2)  
**A0982**  
**WEIGHT**  
**ASSY.**