

MODEL#: 49020903

MOWER NAME: COUNTRY CLIPPER

MOWER MODEL: WRANGLER

MOWER DECK SIZE: 42" THRU 52"

VAC NAME: 9 CUBIC FOOT PRO BAGGER

SHIVVERS PART#: 629FL-001A

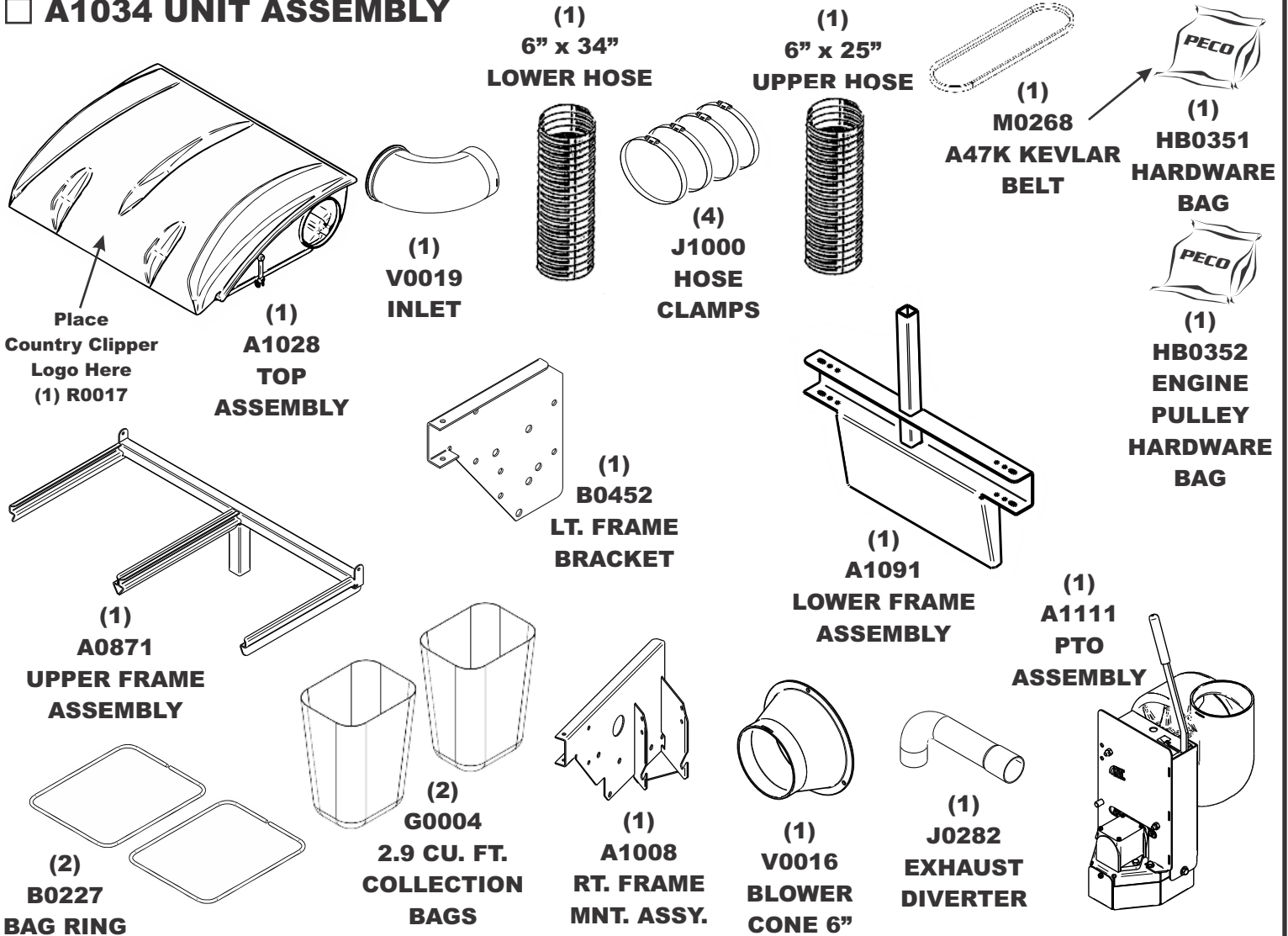
FITS MODEL SR125

A1034 UNIT ASSEMBLY

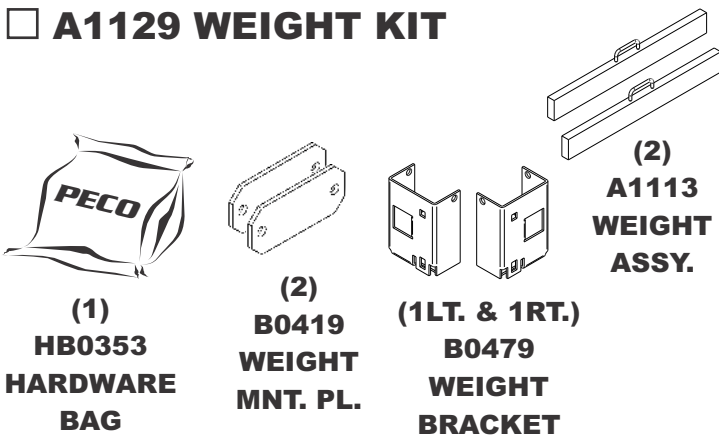
RESIDENTIAL BAGGING SYSTEM

FOR YEAR: 2011

REVISED: 3-02-2011



A1129 WEIGHT KIT



A1118 BOOT KIT

