

MODEL#: 49020902

MOWER NAME: COUNTRY CLIPPER

MOWER MODEL: JAZEE & JAZEE PRO

MOWER DECK SIZE: 42" THRU 52"

VAC NAME: 9 CUBIC FOOT PRO BAGGER

SHIVVERS PART#: 629FM-001A

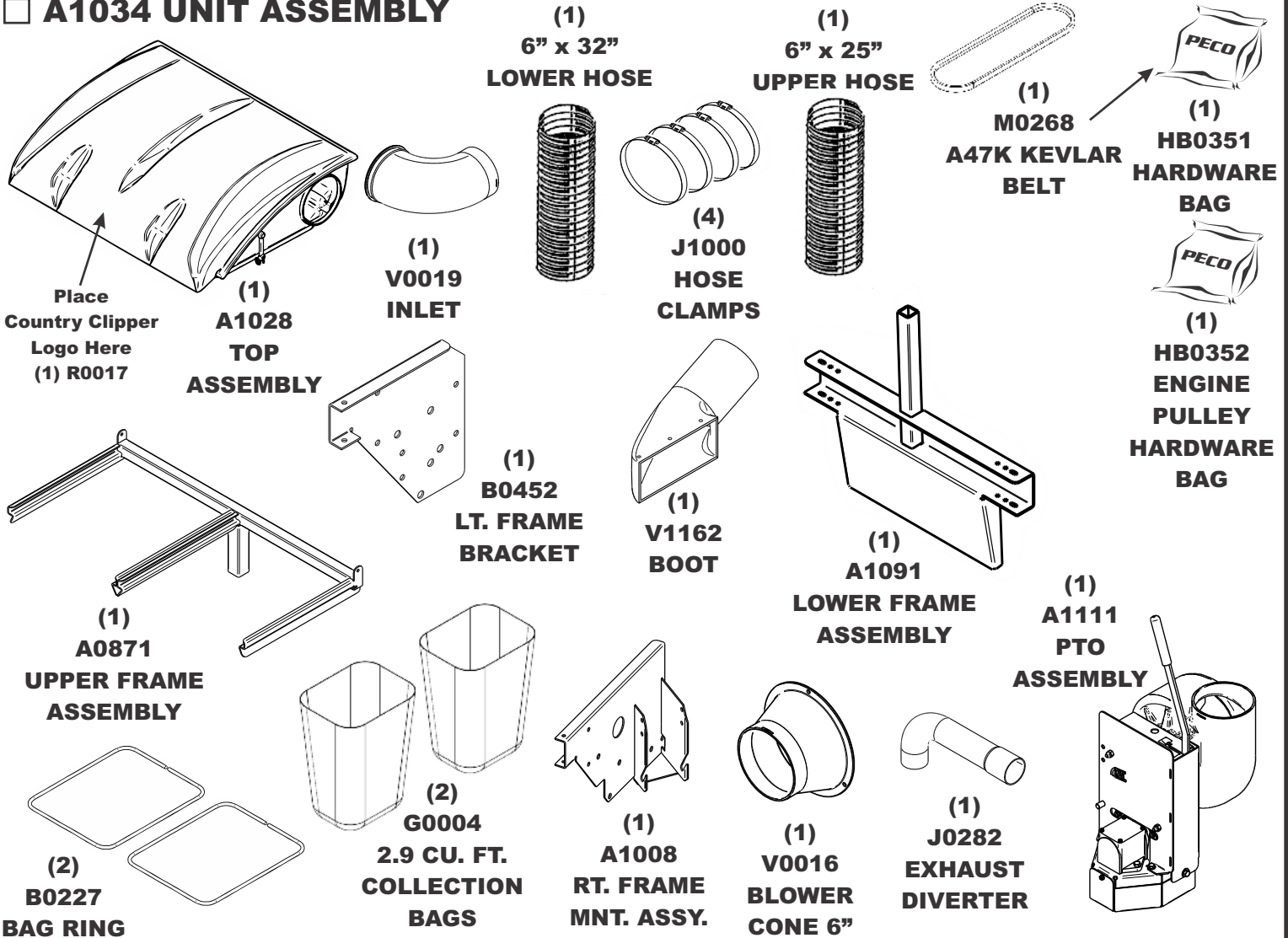
REQUIRES AUXILIARY BOOT ADAPTER KIT

RESIDENTIAL BAGGING SYSTEM

FOR YEAR: 2011 - BELOW

REVISED: 3-02-2011

A1034 UNIT ASSEMBLY



A1035 WEIGHT KIT

