

MODEL#: 47020902 (GC250)

MOWER NAME: BUSH HOG

MOWER MODEL: HS SERIES

MOWER DECK SIZE: 36" & 42" DECK

VAC NAME: 9 CUBIC FOOT PRO BAGGER

PTO DRIVEN

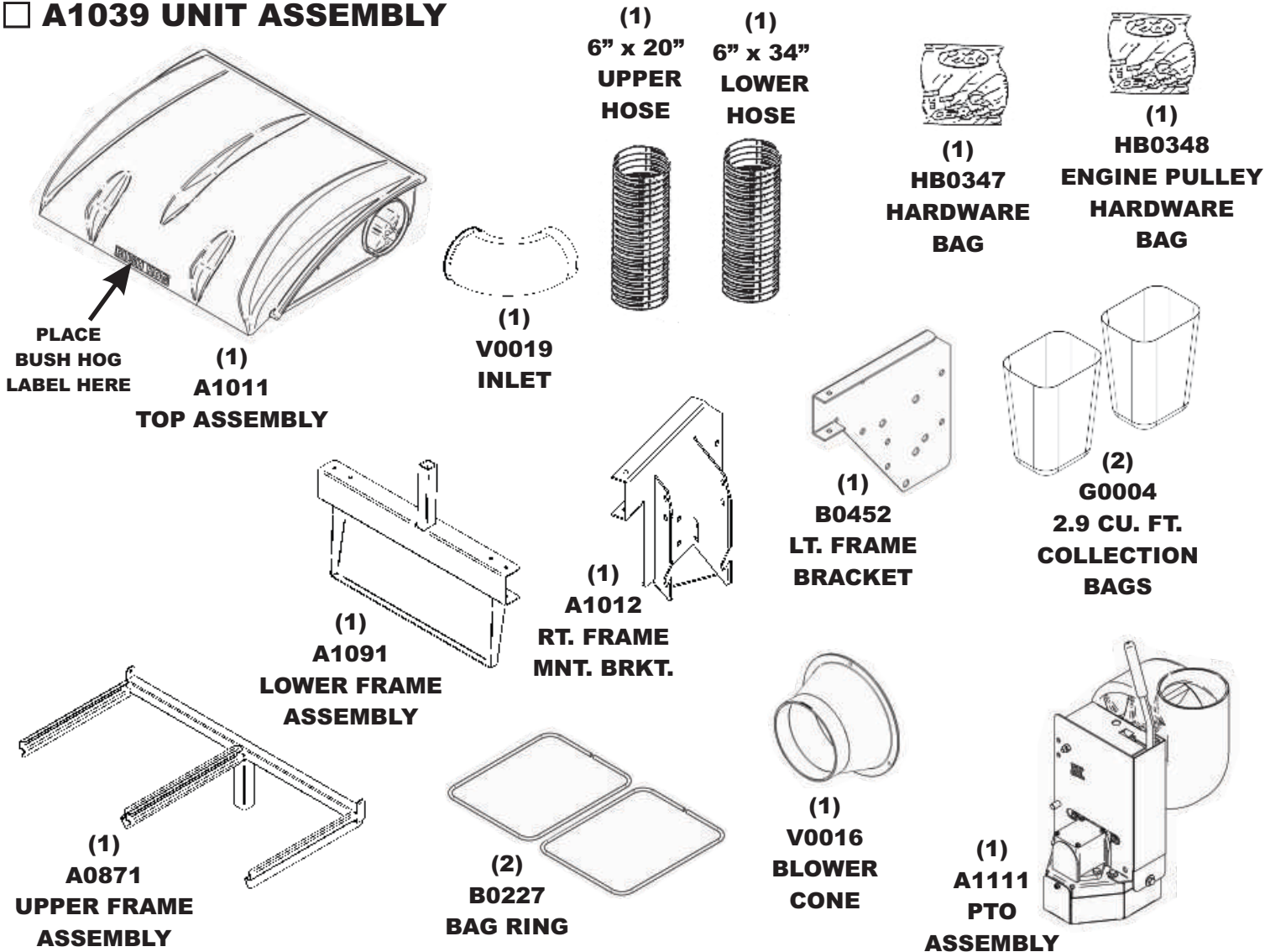


FOR YEAR: 2008

REVISED:

BILL OF MATERIALS: BOM0329

A1039 UNIT ASSEMBLY



A1032 BOOT AND WEIGHT KIT

