

# MODEL#: 37020902

MOWER NAME: SCAG

MOWER MODEL: FREEDOM Z

MOWER DECK SIZE: 52" DECK

VAC NAME: PRO 2 BAGGER

PTO DRIVEN

MANUAL #Q0412

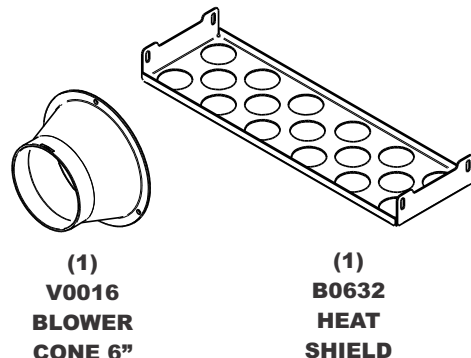
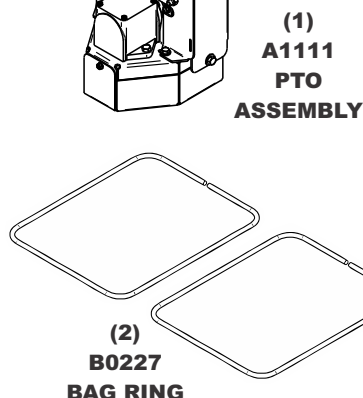
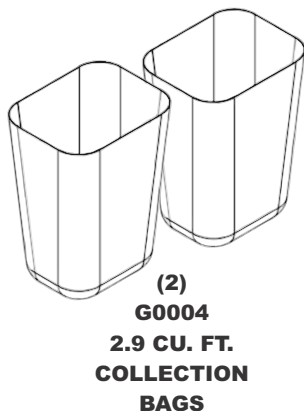
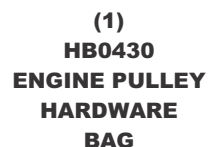
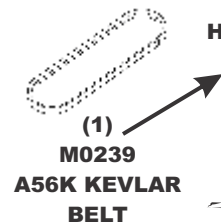
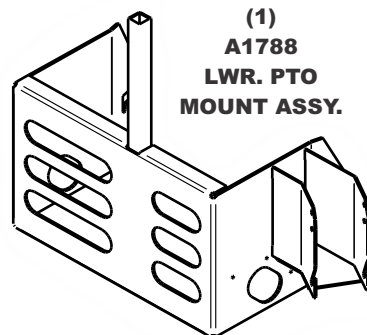
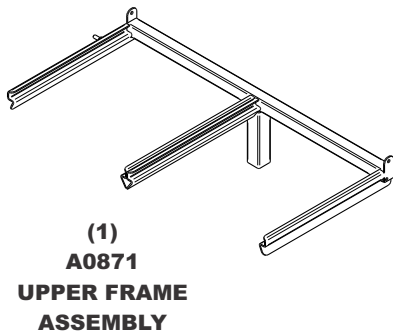
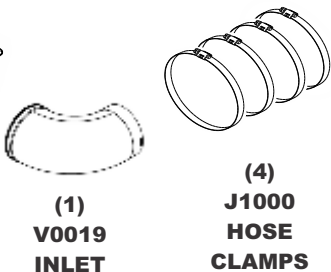
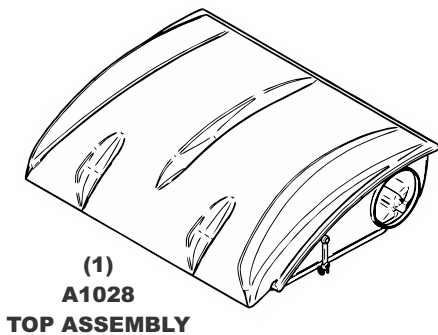
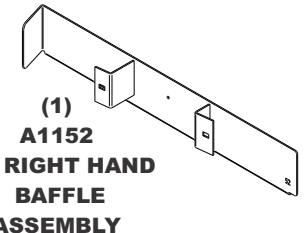
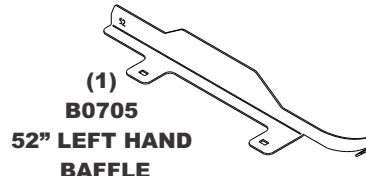
A1789 UNIT ASSEMBLY



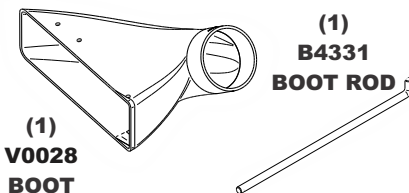
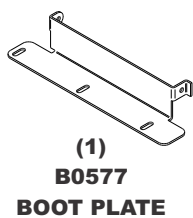
FOR YEAR: 2012-2010

Revision 1 4/4/2012

A1151 52" BAFFLE KIT



A1796 BOOT KIT



A1791 WEIGHT KIT

