



# PTO GRASS COLLECTION SYSTEM

DESIGNED TO FIT:

***SNAPPER* PRO™**

**S150XT**

2012-2013



**MODEL #: 05131501  
6.5HP BRIGGS & STRATTON  
VANGUARD**

**MODEL #: 05131502  
900 SERIES BRIGGS & STRATTON**

## **OPERATOR'S MANUAL**

**ASSEMBLY • OPERATION • MAINTENANCE**

**MANUAL PART#: G0462**

# PECO GRASS COLLECTION SYSTEM

## TABLE OF CONTENTS

SECTION	PAGE	SECTION	PAGE
Safety	2	2-15 Length Of Hose Adjustment	13
Safety Alert Symbols	3	2-16 Upper Hose Installation	13
Warranty	4	2-17 Lower Hose To Blower Cone Installation	13
I INTRODUCTION AND DESCRIPTION	5	2-18 Lower Hose To Boot Installation	13
1-1 Introduction	5	2-19 Impeller Blade Removal/Replacement	14
1-2 Description	5	2-20 Weight Kit Installation	15
II INSTALLATION FOR USE	5	2-21 Installation/Removal of Collection Bags	16
2-1 Preparation Of Mower	5	2-22 Throttle Cable Installation	17
2-2 Left & Right Frame Bracket Installation	6	Exploded Part Views and Assemblies	18-20
2-3 Rear Frame Bracket Installation	7	III OPERATING INSTRUCTIONS	21
2-4 Muffler Guard Bracket Installation	7	3-1 General Safety	21
2-5 Outer Engine Mount Tube	8	3-2 Operation & Tips On Mowing	21
2-6 Engine Mount Arm Installation	8	3-3 Disengagement Of The Blower	21
2-7 Engine/Blower/Blade Assembly Installation	9	3-4 Unloading The Collection System	21
2-8 Lower Mount Tube & Upper Frame Assembly Installation	10	IV MAINTENANCE	21
2-9 Top Assembly to Upper Frame Assembly Installation	11	4-1 Maintenance Checklist	21-22
2-10 Hinge Kit Installation	11	V PARTS AND SERVICE	22
2-11 Inlet Installation	11	5-1 Parts And Service Information	22
2-12 Exhaust Diverter Installation	11	Safety Decals	23
2-13 Blower Cone Installation	12	Torque Specifications	24
2-14 Boot to Mower Deck Installation	12		

## Safety

1. Read the operator's manual carefully and familiarize yourself with the proper use of your attachment. Do not allow anyone who is not acquainted with the Safety Instructions to use your attachment.
2. Know the controls and how to stop quickly. **READ THE OPERATOR'S MANUAL!**
3. Do not allow children to operate the vehicle. Do not allow adults to operate it without proper instruction.
4. Be especially watchful of children and pets darting into the area while operating.
5. Keep your eyes and mind on your unit while mowing or operating your attachment. Don't let others distract you.
6. Do not attempt to operate your unit or mower when not in the driver's seat.
7. Always stop unit when emptying the container.
8. Stop unit, shut off deck attachment, set parking brake, shut off mower engine and remove spark plug wire before removing clogs, removing or replacing hose, boot, blower cone, or performing any maintenance.
9. Mow across the face of slopes (not steeper than 10 degrees); never up and down the face of the slope.
10. It is recommended that the container be kept only half full when negotiating any slopes. Start mowing on slopes when the container is empty.
11. Inspect your lawn and remove any foreign objects before mowing. Never deliberately run the mower across any foreign object.
12. Wear ear protection if the noise level is offensive.
13. Wear eye protection to prevent debris from damaging your eyes.

# SAFETY

**WARNING!** **NEVER** operate the mower unless the discharge guard and either the deflector assembly or the vacuum collector adapter are fastened securely in place.

**WARNING!** Do not work around the mower deck boot or the blower area until you are certain that the mower blades and the blower impeller have stopped rotating.

**WARNING!** To avoid serious injury, perform maintenance on the vacuum collector; **ONLY AFTER STOPPING THE MOWER'S ENGINE AND WAITING FOR ALL MOVING PARTS TO COME TO A COMPLETE STOP.** Set the parking brake. Always remove the ignition key before beginning maintenance.

**WARNING!** For your own personal safety, **ALWAYS** mow **ACROSS** the face of slopes and **NEVER UP and DOWN** the face. **NEVER** attempt to mow excessively steep slopes, and use caution when turning on any slope.

## Safety Alert Symbol



This Safety Alert Symbol means: **“ATTENTION! BECOME ALERT! YOUR SAFETY IS INVOLVED!”**

This symbol is used to call attention to safety precautions that should be followed by the operator to avoid accidents. When you see this symbol, carefully read the message that follows and heed its advice. Failure to comply with safety precautions could result in death or serious bodily injury.

## Safety Signs

The signal words **DANGER**, **WARNING**, and **CAUTION** are used on the equipment safety signs. These words are intended to alert the viewer to the existence and the degree of hazard seriousness.



White letters on **RED**

This signal word indicates a potentially hazardous situation which, if not avoided, will result in death or serious injury.



Black letters on **ORANGE**

This signal word indicates a potentially hazardous situation which, if not avoided, could result in death or serious injury.

It may also be used to alert against unsafe practices.



Black letters on **YELLOW**

This signal word indicates a potentially hazardous situation exist which, if not avoided, will result in minor or moderate injury.

It may also be used to alert against unsafe practices.

# PECO LIMITED WARRANTY FOR NEW PRODUCTS

## A. WHAT IS UNDER WARRANTY?

PECO extends the following warranties to the original purchaser of each new PECO consumer product subject to the following limitations.

**1. PRODUCT WARRANTY:** Any part of any consumer product, which is defective in material or workmanship as delivered to the purchaser will be repaired or replaced, as PECO elects, without charge for parts or labor, if the defect appears within 12 months from the date of delivery of the product to the original purchaser.

**ALL DEFECTIVE PARTS MUST BE RETURNED TO PECO FOR INSPECTION TO DETERMINE VALIDITY OF WARRANTY CLAIMS.** Freight and mailing will be borne by the customer.

**2. PARTS REPLACED DURING WARRANTY:** Any new PECO part which is furnished in performance of this warranty and is defective in material or workmanship as delivered to the purchaser will be repaired or replaced, as PECO elects, without charge if the defect appears within 90 days from the date of installation of such part or before the expiration of the original warranty period, whichever is later.

## B. SECURING WARRANTY ADJUSTMENTS.

Call PECO for Return Authorization. Damaged or broken parts other than engines or batteries, must be returned to New PECO, Inc. 100 Airport Road, Arden, NC 28704 before any warranty adjustment can be authorized. At the time of requesting warranty adjustment, the purchaser must present evidence of the date of delivery of the product. The purchaser shall pay any charge for the product to and from Arden, NC.

## C. ITEMS NOT COVERED BY PECO WARRANTY.

Engines and batteries attached to PECO products are covered under a separate warranty by the respective manufacturer.

## D. UNAPPROVED ALTERATION OR MODIFICATION.

All obligations of New PECO, Inc. under this warranty shall be terminated if products are altered or modified in ways not approved by New PECO, Inc.

## E. ACCIDENTS AND NORMAL MAINTENANCE.

The warranty covers only defective material and workmanship. It does not cover depreciation or damage caused by normal wear, accident, improper use or abuse of products. The cost of normal maintenance and normal replacement of service items such as belts, cutting blades, hoses, etc., which are not defective shall be paid for by the purchaser.

## F. NO REPRESENTATIONS ADDITIONAL WARRANTIES, DISCLAIMER.

Neither New PECO, Inc. nor any company affiliated with it makes any warranties, representations or promises as to the quality of performance of its products other than those set forth herein. Except as described above, New PECO, Inc. makes no other warranties **AND SPECIFICALLY DISCLAIMS ANY AND ALL IMPLIED WARRANTIES OF FITNESS AND MERCHANTABILITY.**

## G. ANY MACHINE USED FOR RENTAL PURPOSES ARE GUARANTEED FOR 45 DAYS FROM DATE OF ORIGINAL SALE ONLY.

## H. REMEDIED EXCLUSIVE.

The only remedies the purchaser has in connection with the breach or performance of any warranty on New PECO, Inc. consumer products are set forth above. In no event will PECO be liable for special incidental or consequential damages.

## 1. NO SERVICE CENTER WARRANTY.

The selling Service Center makes no warranty on his own on any item warranted by New PECO, Inc. unless he delivers to purchaser a separate written warranty certificate specifically warranting the item. The dealer has no authority to make any representation or promise on behalf of PECO or to modify the terms of this warranty in any way.

# Section I

## Introduction and Description

### 1-1 Introduction

We are pleased to have you as a PECO customer. Your collection system has been designed to give you a low maintenance, simple, and effective way to collect the grass clippings from your mower. This manual is provided to give you the necessary instructions to properly mount and operate the collection system on your mower. Please read this manual thoroughly. Understand what each control is for and how to use it. Observe all safety decal precautions on the machine and noted throughout the manual.

**NOTE:** all references made to right, left, front, rear, top or bottom are as viewed from the normal operator's position on the mower.

### 1-2 Description

The grass collection system is designed for turf maintenance where there is a need to collect the grass clippings as the mower cuts the turf. It is also used for picking up leaves and in pre-season and post-season clean-up. The blower, mounted on the right side of the unit, is powered by Briggs & Stratton 900 Series or 6.5HP Vanguard. The blower draws grass clippings from the discharge area of the cutter deck back to the (3) - 4.0 cubic foot collection bags P#(G0003) at the rear portion of the mower frame. Once the bags are full with clippings, they can be released to make for easy dumping.

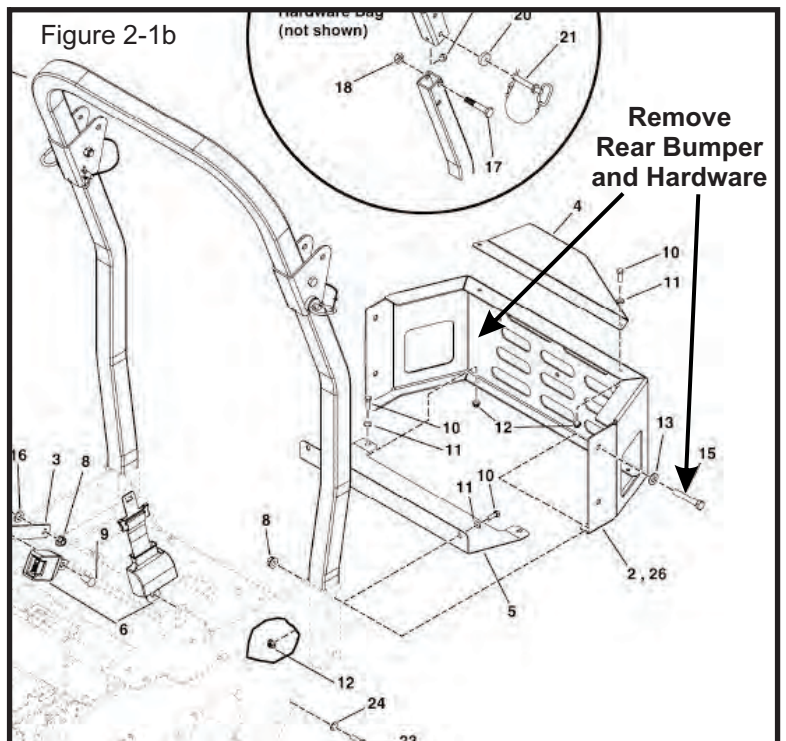
## Section II

### Preparation of Mower

### 2-1 Preparation of Mower

Remove the rear bumper and hardware from the mower frame. Refer to Figure 2-1b and page 6 of your Snapper Pro parts manual.

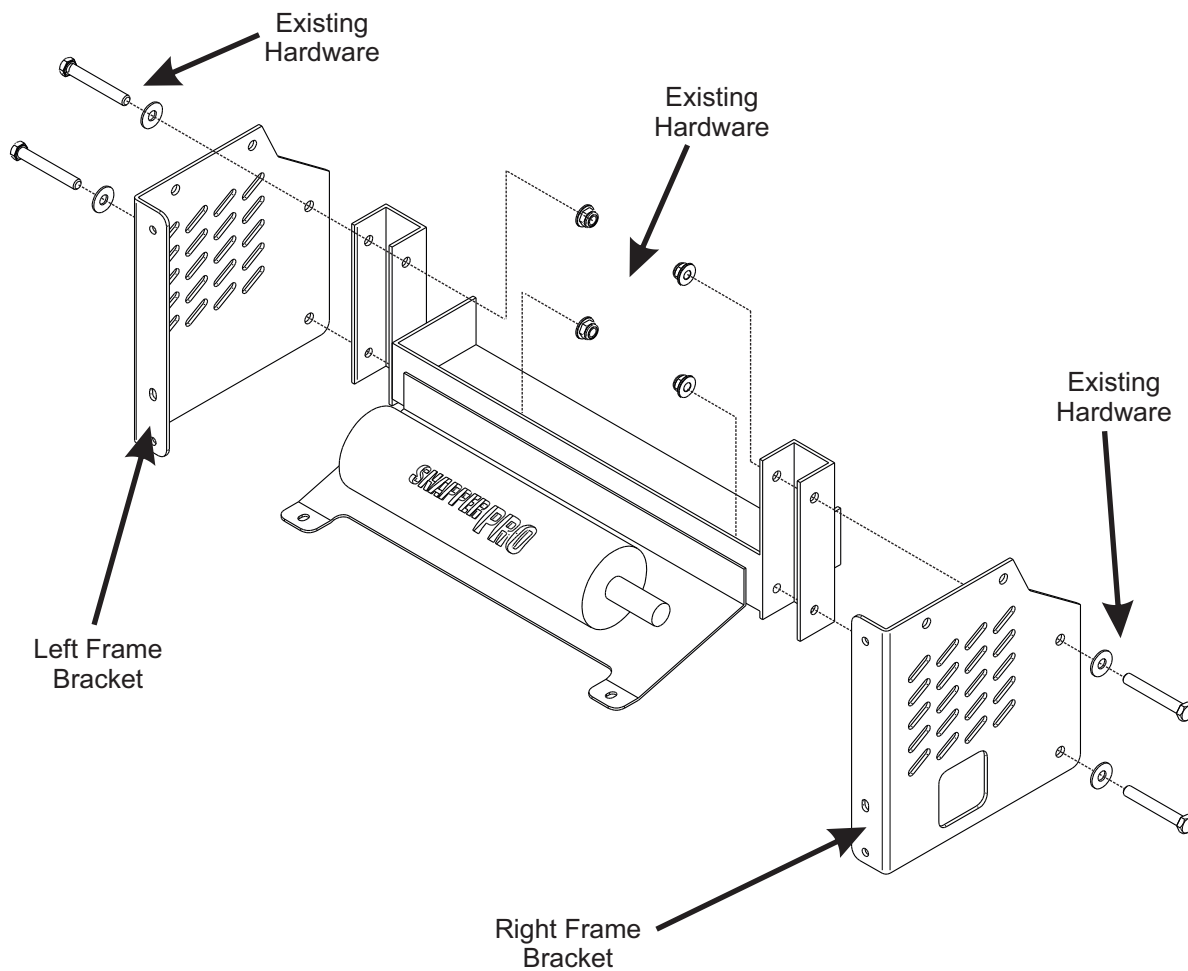
Page 6 Snapper Pro  
Parts Manual



## 2-2 Left and Right Frame Bracket Installation

Secure the left frame bracket P#(B0801) and right frame bracket P#(B0802) to the rear frame of the mower where the rear bumper was removed. Use the existing hardware from the rear bumper as shown in Figure 2-2.

Figure 2-2



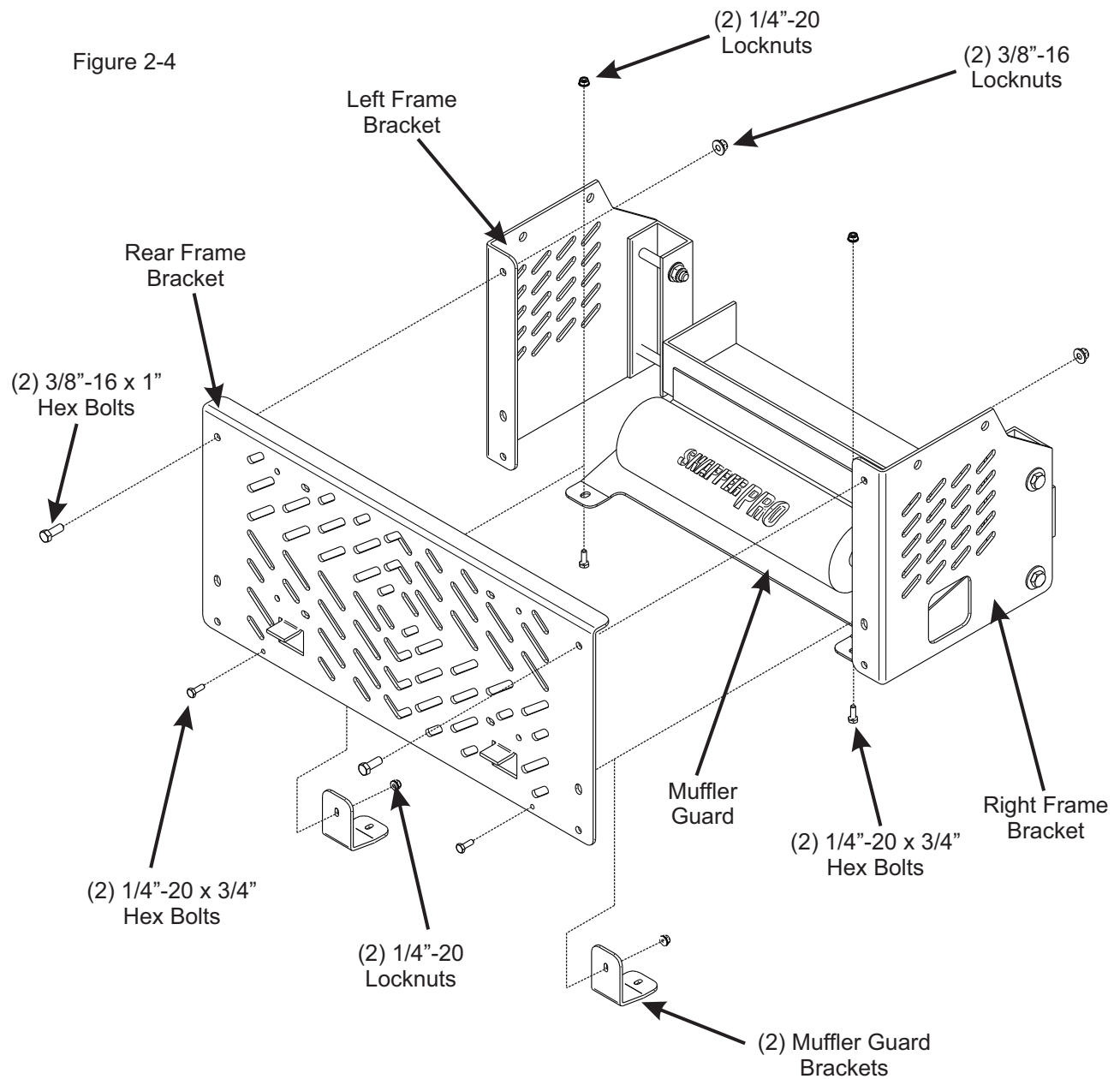
## 2-3 Rear Frame Bracket Installation

Attach the rear frame bracket P#(B0803) to the left and right frame bracket using (2) 3/8"-16 x 1" HHCS P#(K1191) and (2) 3/8"-16 nylon flange locknuts P#(K2038). Refer to Figure 2-4.

## 2-4 Muffler Guard Bracket Installation

Attach (2) muffler guard brackets P#(B0806) to the rear frame bracket using (1) 1/4"-20 x 3/4" HHCS P#(K1222) and (1) 1/4"-20 nylon flange locknut P#(K2014) PER BRACKET. Leave the hardware finger tight.

Secure both muffler guard brackets to the existing muffler guard, using (1) 1/4"-20 x 3/4" HHCS P#(K1222) and (1) 1/4"-20 nylon flange locknut P#(K2014) PER BRACKET. Tighten all hardware at this time. Refer to Figure 2-4.

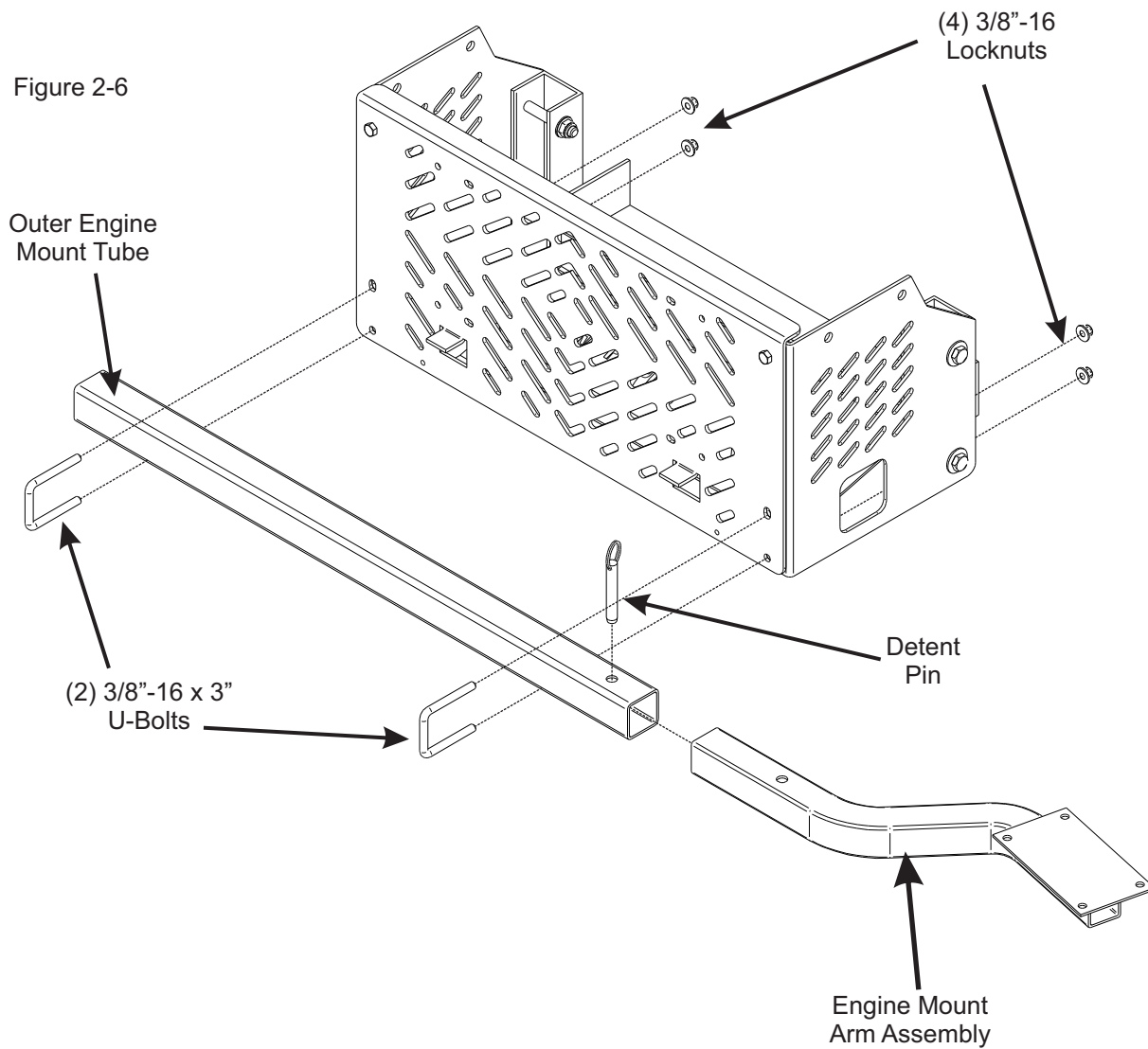


## 2-5 Outer Engine Mount Tube Installation

Secure the outer engine mount tube P#(B3727) to the rear frame bracket using (2) 3/8"-16 x 3" u-bolts P#(K1432) and (4) 3/8"-16 nylon flange locknuts P#(K2038). **Note:** Leave the hardware finger tight until the engine blower blade assembly has been installed. Refer to Figure 2-6.

## 2-6 Engine Mount Arm Assembly Installation

Insert the engine mount arm assembly P#(A0274) into the outer engine mount tube and secure with (1) detent pin P#(J0248). Refer to Figure 2-6.





## 2-7 Engine/Blower/Blade Assembly Installation

Place the engine/blower/blade assembly on top of the engine mount arm assembly as shown in Figure 2-7a. Secure the assembly using (4) 5/16"-18 x 1-1/2" HHCS P#(K1157) and (4) 5/16"-18 nylon flange lock nuts P#(K2516) as shown in Figure 2-7b. Adjust the position of the outer engine mount tube so that the blower housing has at least 1" of clearance from the rear tire. Tighten the u-bolts on the outer engine mount tube at this time.

Figure 2-7a

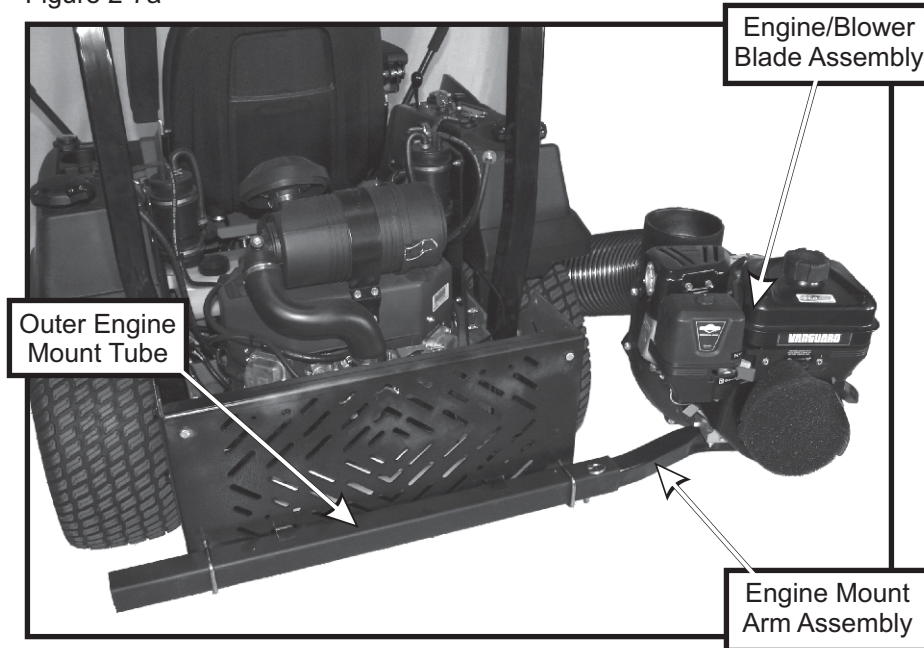
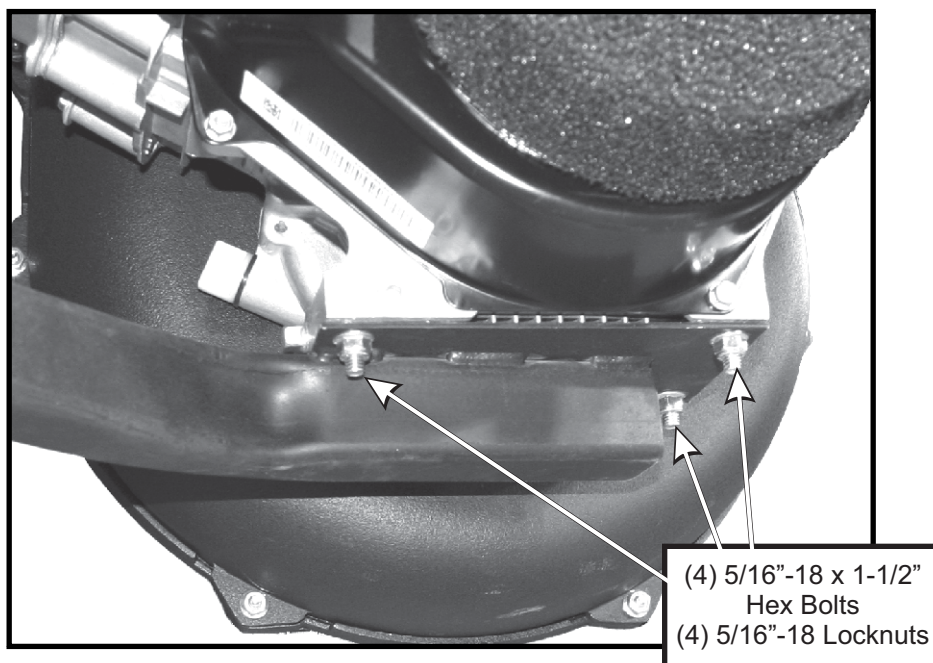


Figure 2-7b



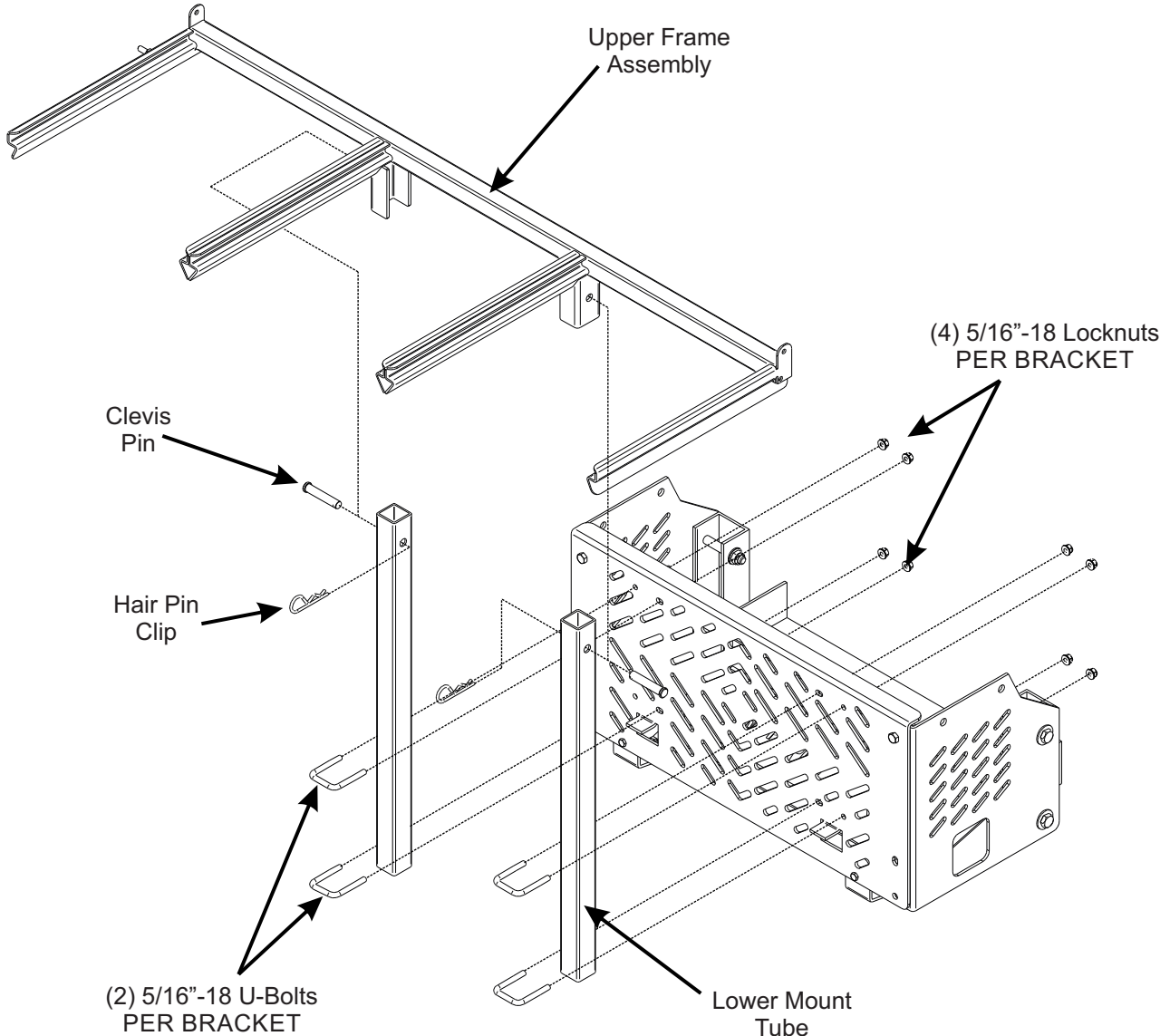
## 2-8 Lower Mount Tube and Upper Frame Assembly Installation

Position the (2) lower mount tubes P#(B0752) on top of the tabs located on the rear frame bracket. Secure each lower mount tube to the rear frame bracket using (2) 5/16"-18 u-bolts P#(K1098) and (4) 5/16"-18 nylon flange locknuts P#(K2516). Refer to Figure 2-8.

NOTE: Orient the lower mount tubes so that the top assembly mounting holes are aligned with each other, and perpendicular to the rear frame bracket.

Position the upper frame assembly P#(A1058) above the lower mount tubes as shown in Figure 2-8. Insert the upper frame assembly onto the lower mount tubes and secure using (2) 1/2" x2-1/2" clevis pins P#(K0133) and (2) hair pin clips P#(K0088).

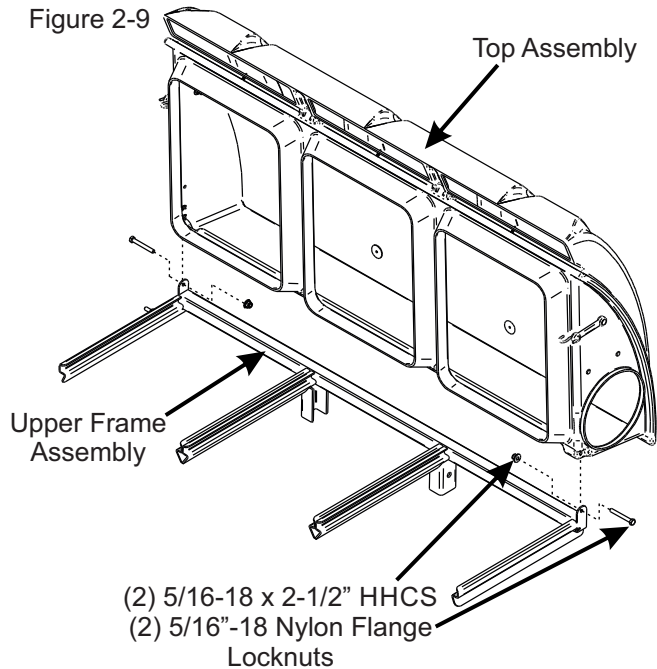
Figure 2-8



## 2-9 Top Assembly To Upper Frame

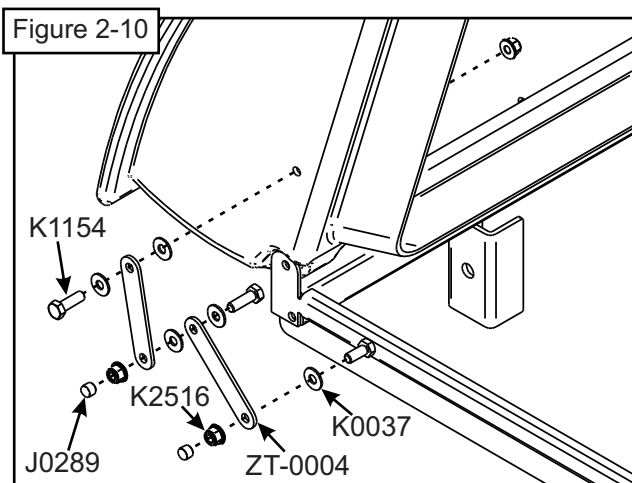
### Assembly Installation

Position the top assembly P#(A1158) above the upper frame assembly as shown in Figure 2-9. Fasten the top assembly to the upper frame assembly using (2) 5/16"-18 x 2-1/2" HHCS P#(K0125) and (2) 5/16"-18 nylon flange locknuts P#(K2516). Leave the locknuts slightly loose, to allow the top assembly to open and close easily. Refer to Figure 2-9 for hardware location.



## 2-10 Hinge Kit Assembly Installation

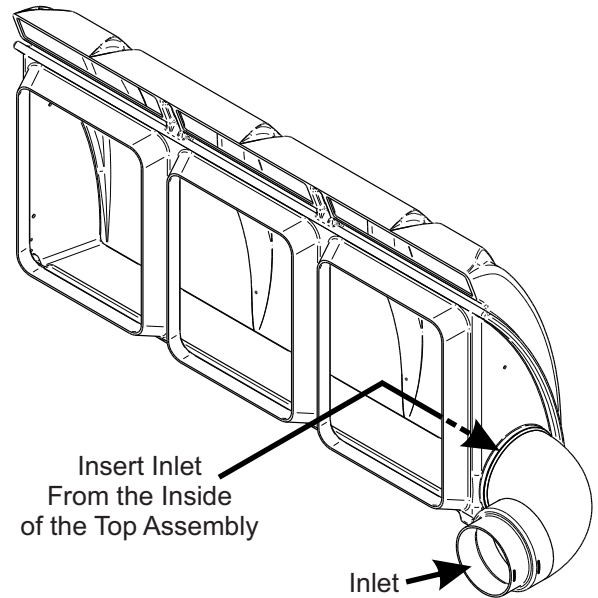
Assemble the hinge kit as shown in Figure 2-10, using (2) 5/16"-18 x 1" HHCS P#(K1154), (3) 5/16"-18 nylon flange locknuts P#(K2516), (5) 1/4" flat washers P#(K0037) and (2) swing arm brackets P#(ZT-0004). Place (1) vinyl cap P#(J0289) on the end of the hex bolts as shown in Figure 2-10. Leave the nuts loose enough to allow fluid movement of the top when opening and closing. When opened, the top should rest on the middle joint of the hinge allowing it to remain up.



## 2-11 Inlet Installation

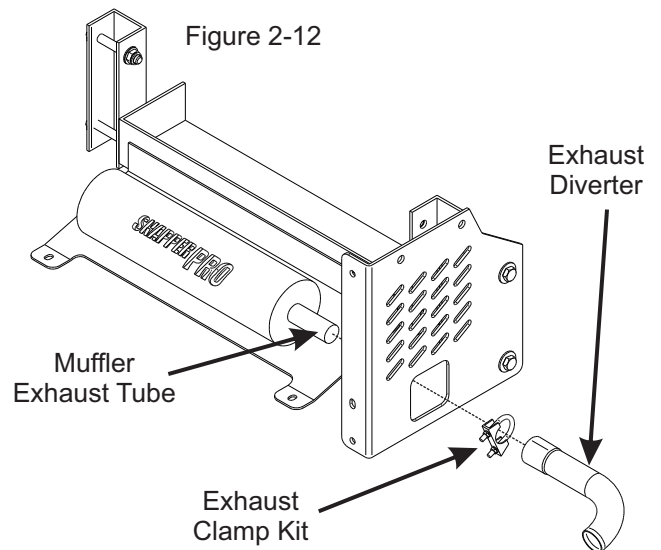
Slide the inlet P#(V0025) into the hole on the bagger top until the inlet locks into place. The inlet should pivot 360 degrees about the hole in the bagger top. Refer to Figure 2-11.

Figure 2-11



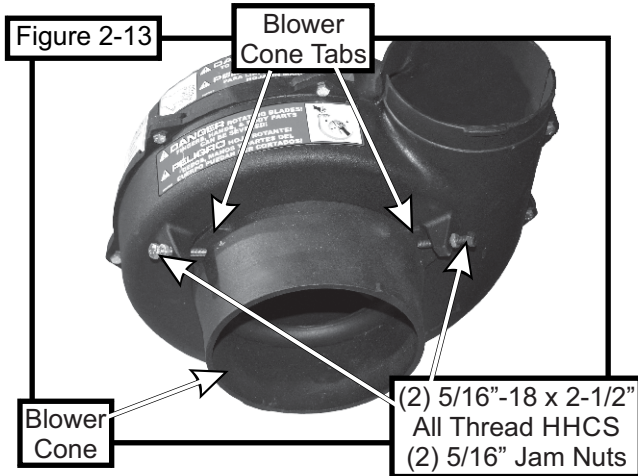
## 2-12 Exhaust Diverter Installation

To prevent the engine exhaust from damaging the engine/blower/blade assembly, insert (1) exhaust diverter P#(J0282) onto the end of the muffler exhaust tube. Position the diverter so that the collection bags are not in the path of the exhaust. Secure the exhaust diverter with (1) exhaust clamp kit P#(X1064). Refer to Figure 2-12.



## 2-13 Blower Cone Installation

Thread (1) 5/16"-18 jam nut P#(K0120) onto each end of (2) 5/16"-18 x 2-1/2" HHCS P#(K0125). Now partially thread the bolts into each of the two tabs located on the blower housing. Place blower cone so the two tabs line up with the bolts then tighten completely (Figure 2-13).



## 2-14 Boot To Mower Deck Installation

Lift the grass deflector on the discharge chute. Insert (1) boot rod P#(B0348) through the outside set of mounting holes on the deflector bracket, as shown in Figure 2-14a. Secure the boot rod with (1) hair pin clip P#(K0099).

Install the aluminum boot P#(E1902) with the top inside surface of the boot flush to the top surface of the mower deck. Secure the aluminum boot to the boot plate using (2) 3/8"-16 x 1" carriage bolts P#(K1182) and (2) 3/8"-16 nylon flange lock nuts P#(K2038). Insert the bolts from the inside of the boot so that the threads are on the outside of the boot. This will prevent any grass clippings from collecting on the threads. Refer to Figure 2-14b.

Figure 2-14a

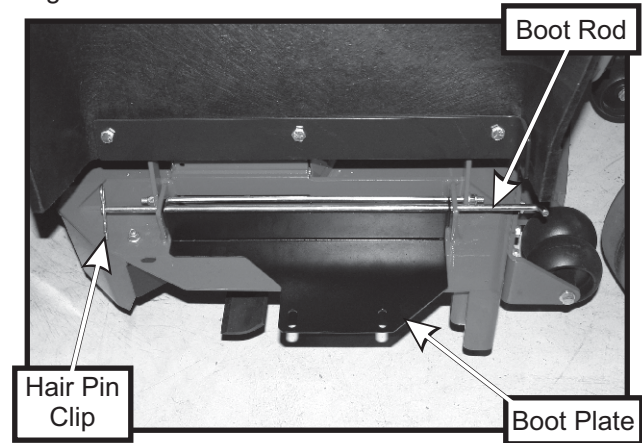
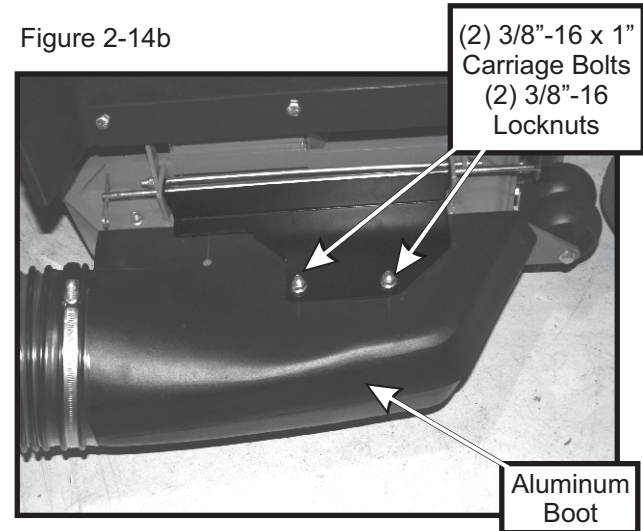


Figure 2-14b



## 2-15 Length Of Hose Adjustment

The hoses in steps 2-16 and 2-17 must be cut to fit your machine. Follow steps 2-16 and 2-17. Do not cut the hoses until you have tried to fit them on your machine. Remember that the hoses have to be long enough to adjust for the blower assembly's movement as well as allow for enough clamping surface between the inlet, blower assembly, and the deck boot.

## 2-16 Upper Hose Installation

Slide a 6" hose clamp P#(J0060) onto both ends of the 6" upper hose (Figure 2-19). Then slide one end of the 6" hose onto the inlet. Make sure there is about a two-inch overlap between the hose end and the container inlet. Proceed to slide the opposite end of the 6" hose onto the outlet of the blower assembly. See (Figure 2-18) for details. Make sure both ends of the hose are clearly attached to the inlet and the blower assembly inlet. Tighten the hose clamps.

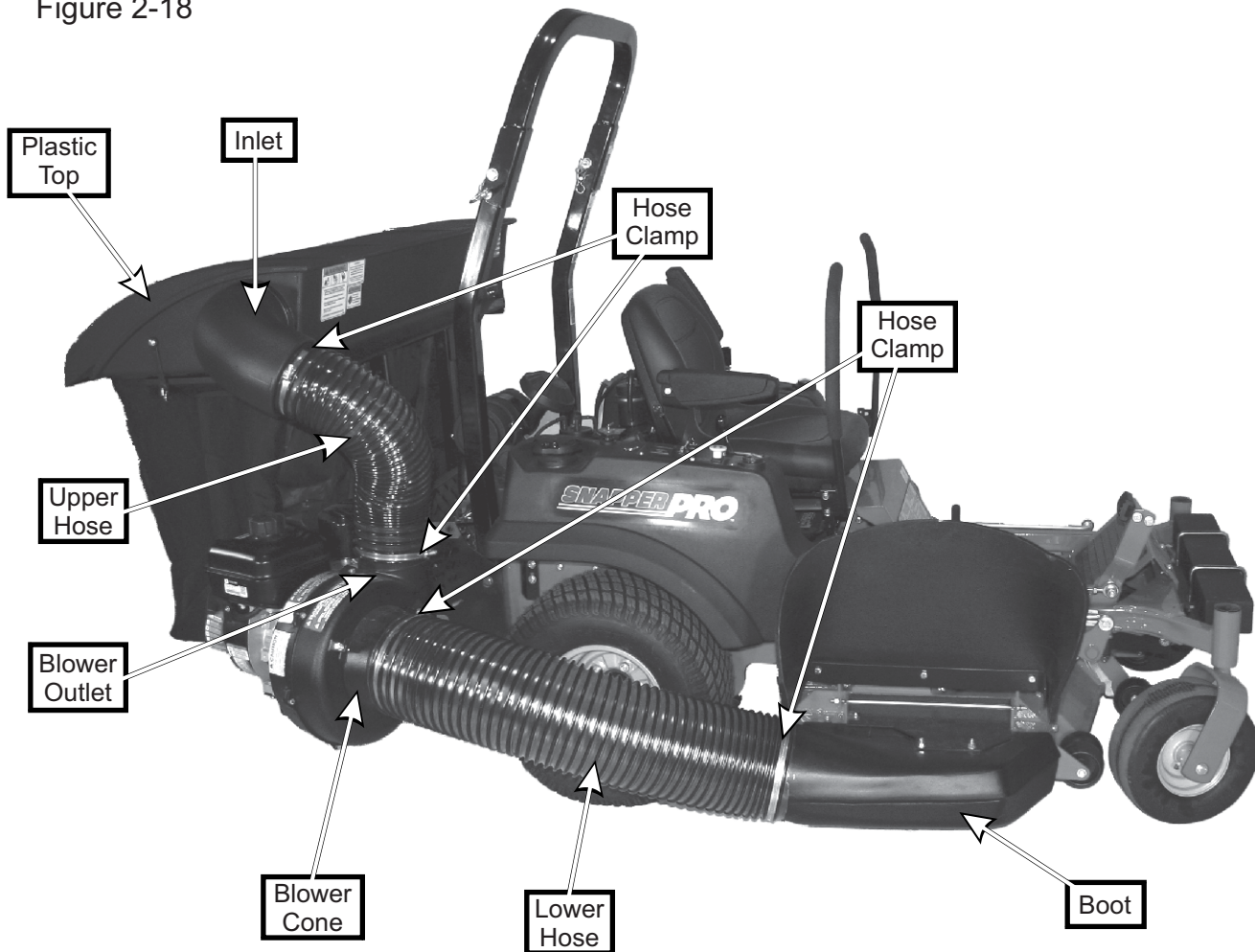
## 2-17 Lower Hose To Blower Cone Installation

Slide a 8" hose clamp P#(J0080) over both ends of the lower hose. Then proceed to slide the lower hose onto the blower cone. Tighten the hose clamp. The assembly should look like Figure 2-18.

## 2-18 Lower Hose To Boot Installation

Take the unattached end of the boot and slide it over the circular end of the boot. Use the lower hose clamp to secure the hose to the boot (Figure 2-18). Tip: Before securing clamp rotate hose counter-clockwise (away from yourself) approximately 1" to aid in retaining boot to mower deck.

Figure 2-18



## 2-19 Impeller Blade Removal/Replacement

To gain impeller blade (#1) access, first remove the blower cone (#2) from the blower housing, located on the PTO assembly P#(A1821), by removing two blower cone bolts and nuts (#3). Next, remove the blower housing front (#4) by removing seven bolts and nuts (#5) around the outer housing edge. Refer to Figure 2-19.

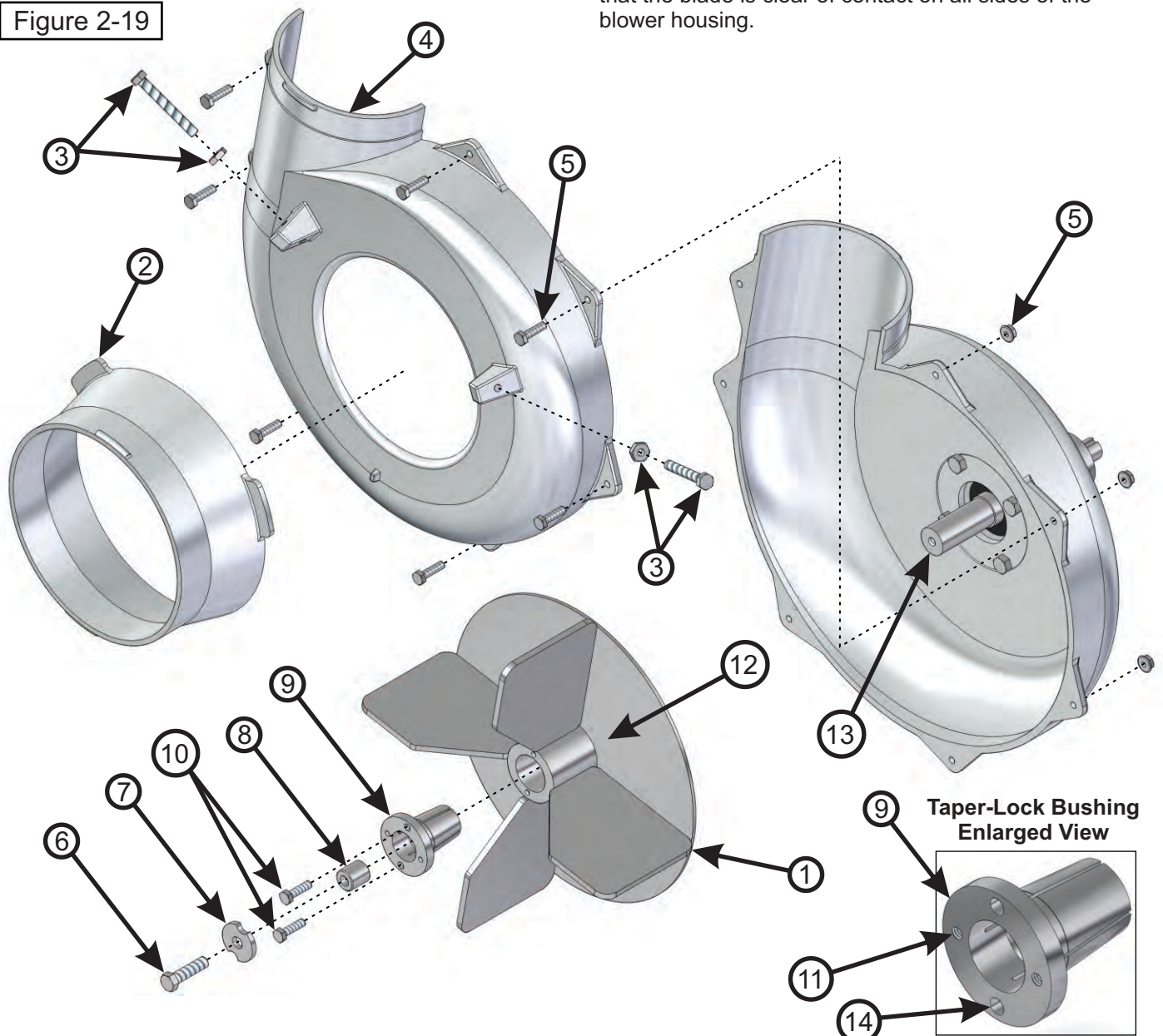
**To Remove:** First, remove one 3/8"-16 x 1-1/2" HHCS P#(K1211) (#6), one taper-lock bushing washer P#(K0278) (#7) and one spacer bushing P#(S3242) (#8) from the taper-lock bushing (#9). See Figure 2-19. Next, remove two 1/4"-20 x 1" HHCS (#10) and place them into the threaded holes (#11) of the taper-lock bushing P#(S4302). Last, gradually thread each bolt evenly into the taper-lock bushing, forcing the blade to break-away from the taper-lock bushing.

### Tips on removing impeller blade;

- 1 - Try carefully hitting the base of the impeller blade (#1), between each vein (#12), with a rubber mallet to loosen the taper-lock bushing hold.
- 2 - Spray break-free lubricant into the surrounding areas of the taper-lock bushing (#9) and repeat Tip 1.

**To Replace:** First, place the impeller blade (#1) over the drive shaft (#13). Next, slide the taper-lock bushing (#9) on to the drive shaft and into the impeller blade, aligning the **non-threaded** holes (#14) of the taper-lock bushing to the threaded holes of the impeller blade. Then, fasten by using two 1/4"-20 x 1" HHCS (#10), one spacer bushing (#8) one taper lock bushing washer (#7), and one 3/8"-16 x 1-1/2" HHCS (#6). Torque all bolts to the specifications located in the chart towards the back of this manual. Last, rotate the impeller blade to ensure that the blade is clear of contact on all sides of the blower housing.

Figure 2-19



## 2-20 Weight Kit Installation

The collection system requires that a weight kit is installed to the front of the mower to counter-balance the weight of the collection system, when filled with debris.

**NOTE:** The weight bracket is secured to the caster mower frame, then the weight is added to the weight brackets. It is recommended that two people perform this procedure. If another person is not available, use a rolling hydraulic floor jack to keep the weight into position while you secure the weight to the weight bracket.

Attach the weight bracket P#(B0523) to the front frame of the mower using the existing holes. Secure the weight bracket using (2) 1/2"-13 x 1" HHCS P#(K1231) and (2) 1/2"-13 nylon flange locknuts P#(K2012). Refer to Figure 2-20a.

Position (1) weight bar P#(B2220) on top of the weight bracket as shown in Figure 2-20b. Center the weight bar on the weight bracket and secure using (2) 1/2"-13 x 4-1/4" u-bolts P#(K0331) and (4) 1/2"-13 nylon flange locknuts P#(K2012).

Figure 2-20a

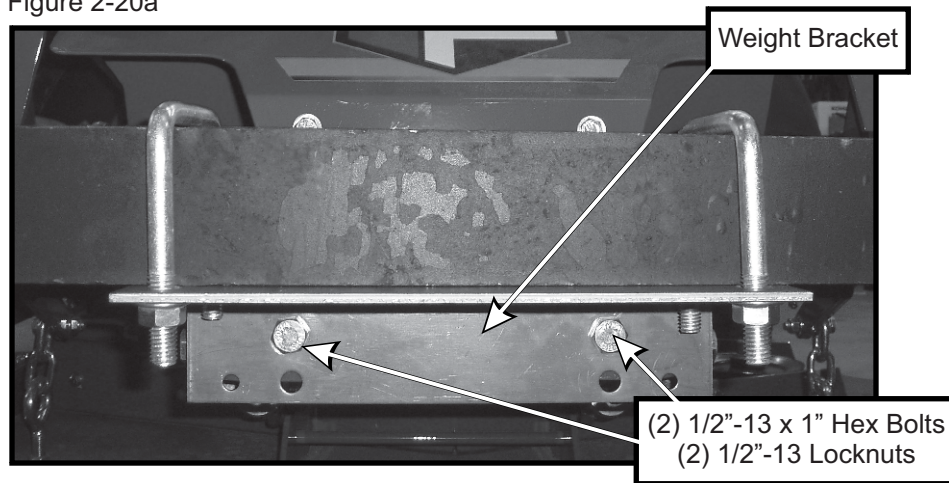
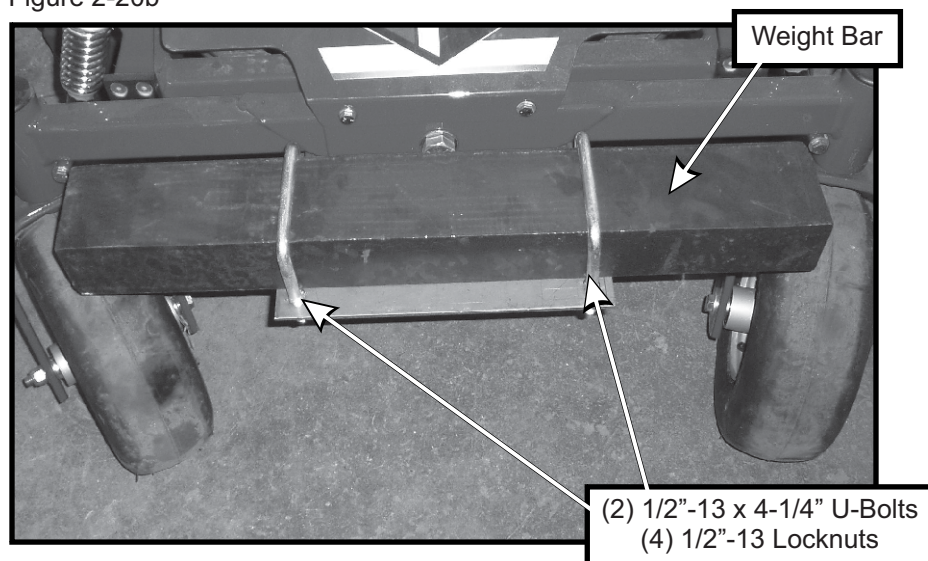


Figure 2-20b

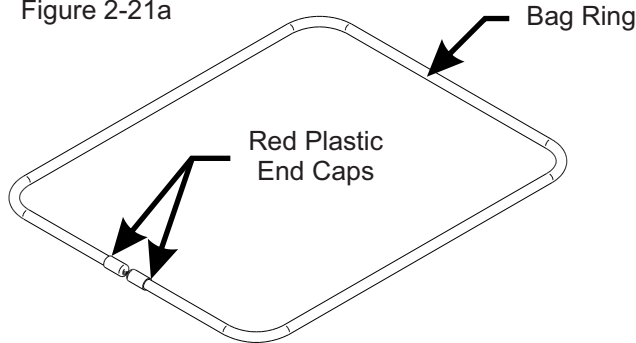


## 2-21 Installation/Removal Of Collection Bags

### IMPORTANT!

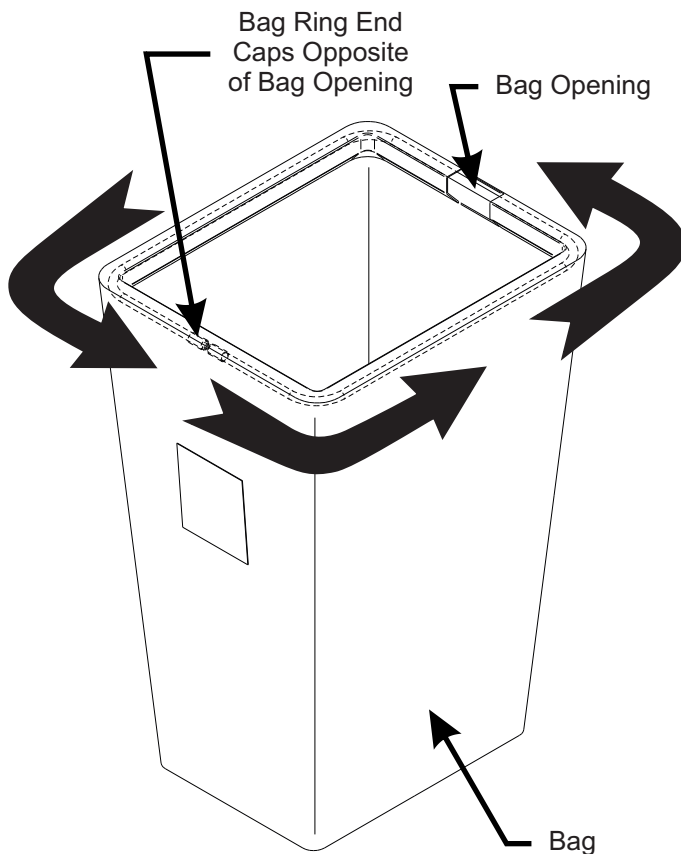
To prevent bag wear, install (2) red plastic end caps P#(J0274), as shown in Figure 2-21a, on each bag ring before installing bags.

Figure 2-21a



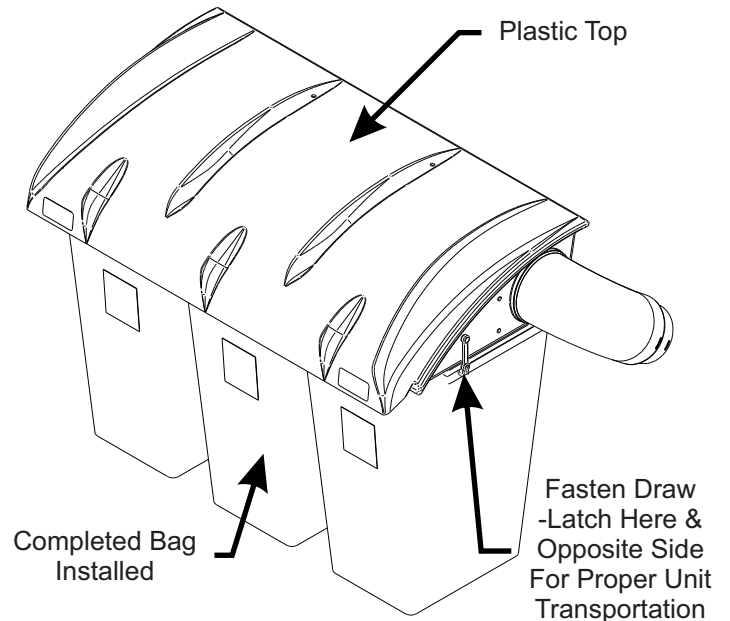
To install the bag onto the bag ring, place the seam openings of the bag onto the bag ring openings and turn the bag one full turn (360°) so the plastic end caps are located opposite to the opening in the bag (Figure 2-21b). Do this for each of three bags.

Figure 2-21b



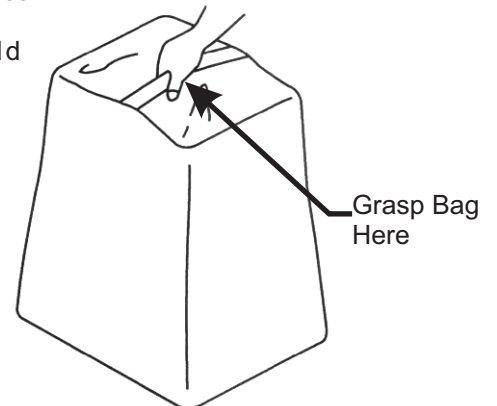
Install the completed assemblies onto the support frame and close the plastic top. Fasten both draw-latches to hold the plastic top closed (Figure 2-21c).

Figure 2-21c



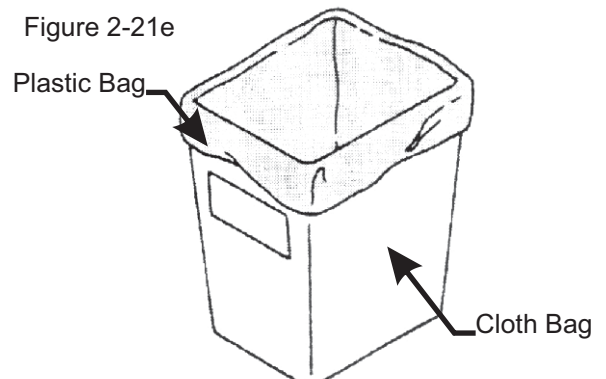
To empty the bag, first unlatch and lift top, next remove the bag and bag ring by sliding rearward, then grasp the loop on the bottom of the bag, and last turn it upside down to empty the collected debris (Figure 2-21d). Repeat for the other bags. Reinstall all bags, line with plastic bags if desired, close the plastic top and reattach the draw latches.

Figure 2-21d



Plastic lawn and leaf bags, 33 gallon size, may be used inside the cloth bags. Be sure to leave enough plastic bag hanging over the frame so the plastic bags can be twist tied before emptying (Figure 2-21e).

Figure 2-21e



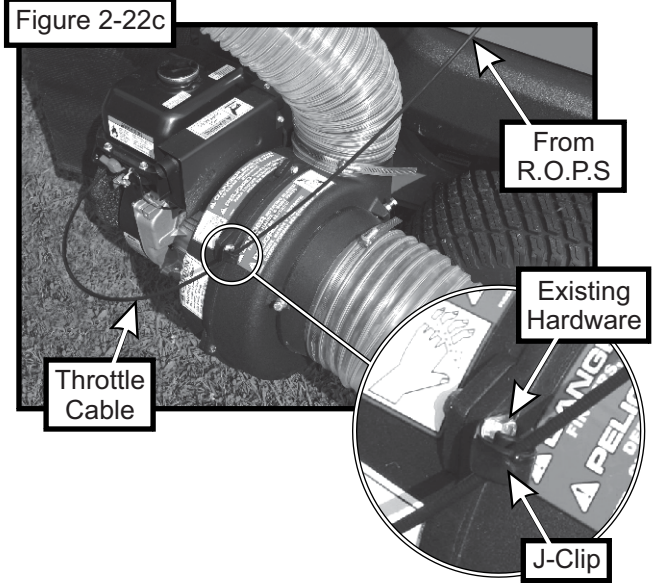
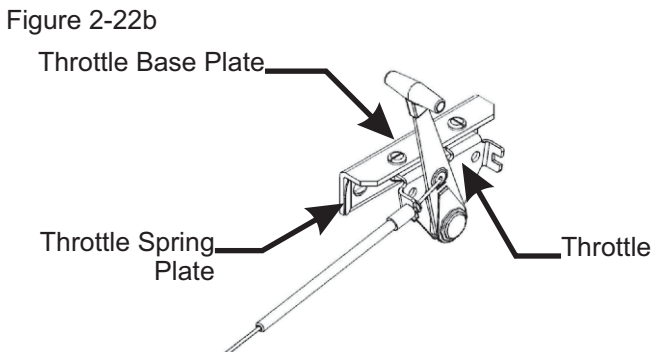
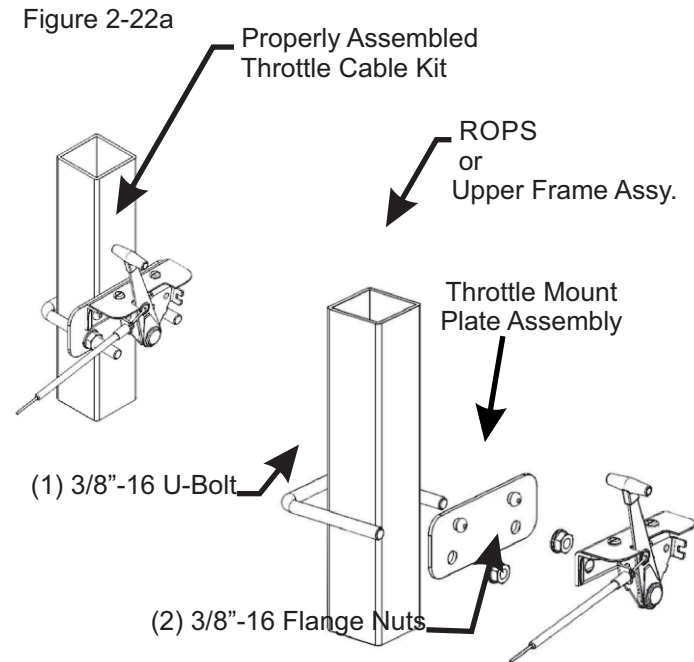


## 2-22 Throttle Cable Installation

To install the throttle cable kit to the ROPS (roll over protection system), place the 3/8" U-Bolt P#(K0136) onto the ROPS with the threads facing the front of the mower. Next slide on the throttle mount plate assembly P#(A0666) with the rivets also facing toward the front of the mower. Tighten the throttle mount plate assembly securely to the ROPS using (2) 3/8"16 nylon flange lock nuts P#(K2038) (Figure 2-22a). With the throttle cable facing toward the engine/blower/blade assembly, place the throttle base plate over the rivets. Slide the throttle cable kit to the right, moving the smaller end of the slot over the rivets. When positioned correctly, the throttle spring plate will snap into place (Figure 2-22b).

To remove the throttle cable kit, lift the throttle spring plate and slide the throttle kit to the left.

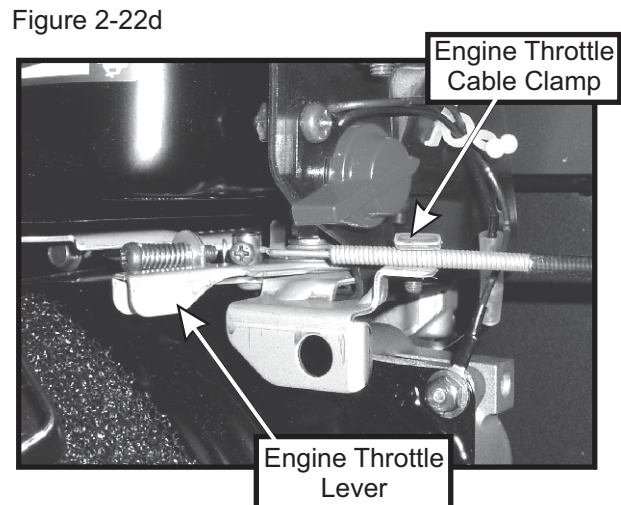
Route cable over the upper hose as shown in Figure 2-22c.



Secure the throttle cable to the blower housing assembly using (1) J-Clip P#(K1455). Use the existing hardware from the blower housing to secure the J-Clip, as shown in Figure 2-22c.

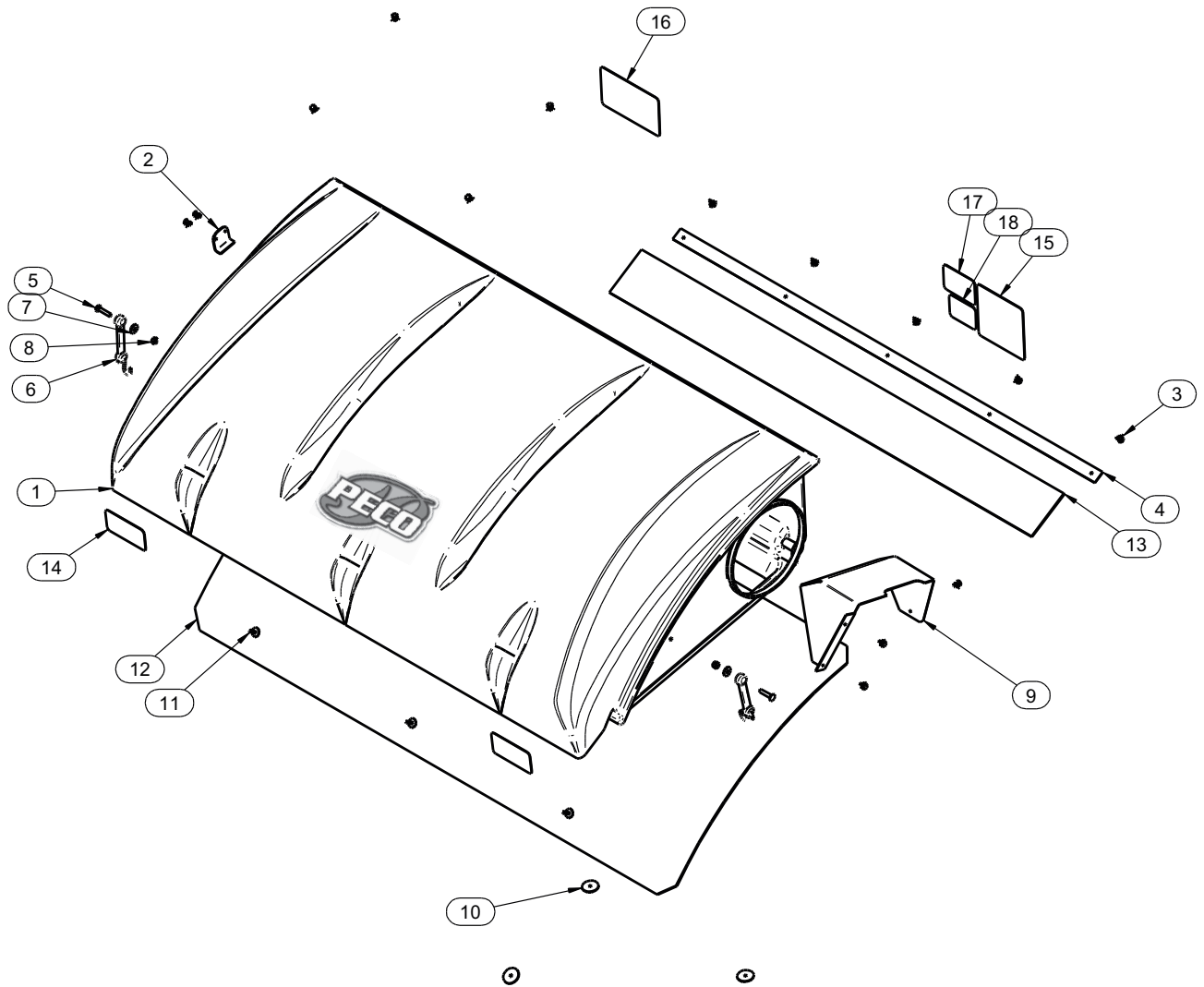
To fasten the throttle cable end to the engine, place the throttle control lever into the "stop" position. Rotate the engine throttle lever to the "stop" position. Thread the wire end of the throttle cable into the engine throttle lever eyelet and tighten the screw. Fasten the throttle cable sleeve to the clamp on the engine throttle (Figure 2-22d). Rotate the throttle control lever into the "fast" position to check for proper installation.

**NOTE:** Cable sleeve may need to be cut, depending on the engine type. Once throttle cable is attached, lift the plastic top assembly and make sure that the throttle cable does not interfere with the movement of the plastic top.



# Exploded Parts View

## A1158 Top Assembly



Item #	Doc #	Title	Qty
1	V0022	PRO 3 BAGGER TOP	1
2	B0676	Hinge Stop Pl.	1
3	K0114	BLACK PLASTIC RIVET	14
4	C0069	DUST GUARD BRACE	1
5	K1030	1/4"-20 x 1-1/4" CARRIAGE BOLT	2
6	J4009	SHORT RUBBER STRAP W/ S HOOK	2
7	K0037	1/4" FLAT WASHER .75 OD x .314 ID x .060 T	2
8	K1128	1/4"-20 NYLOC NUT	2
9	C0026	GRASS DEFLECTOR	1
10	K0062	3/16" x 1-1/2" FENDER WASHER, Z	4
11	K1265	BLACK PANEL RETAINER	3
12	V1120	Black Plastic Screen	1
13	V1118	DUST GUARD	1
14	R1057	2" x 4" Red Reflector Label	2
15	R1069	Warning - Turn Off Blower Label	1
16	R1065	Made In USA Label	1
17	R1054	Important Check Hoses	1
18	R1051	Warning - Use Hearing Protection	1

# Unit Model #: 05131501

Mower: Snapper Pro

Owner's Manual: Q0462

Mower Type: S150XT

Deck Size: 52" & 61"

Vac Type: 15 Cu. Ft. Pro 3 Bagger

Deck Type: iCD Cutting System

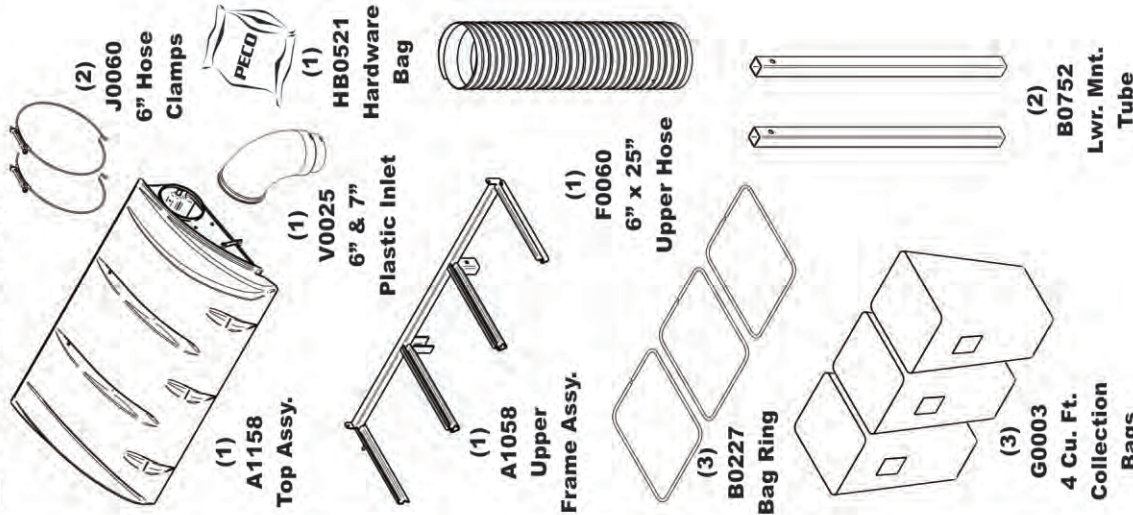
Drive Type: 6.5HP B&S Vanguard Engine

Revision #:

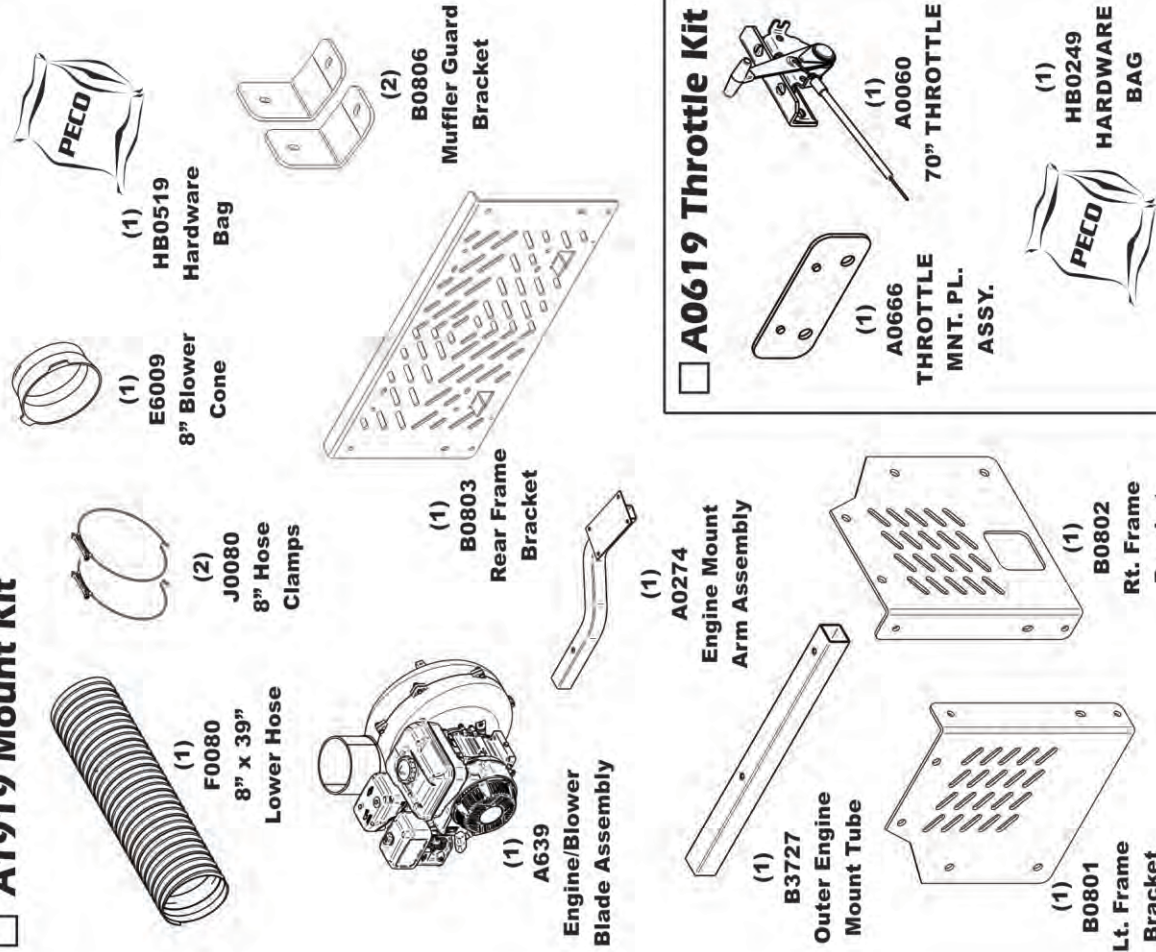
Fits Year(s): 2012-2013



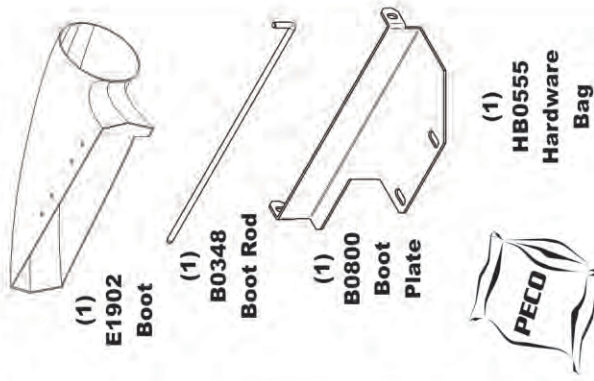
## A1918 Vac Kit



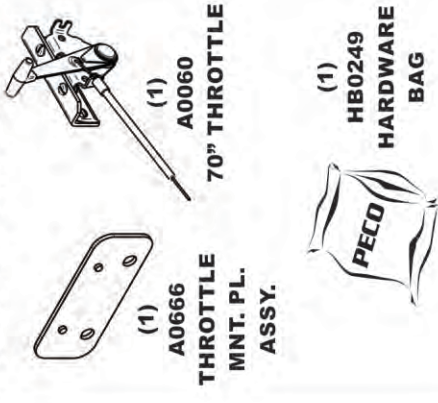
## A1919 Mount Kit



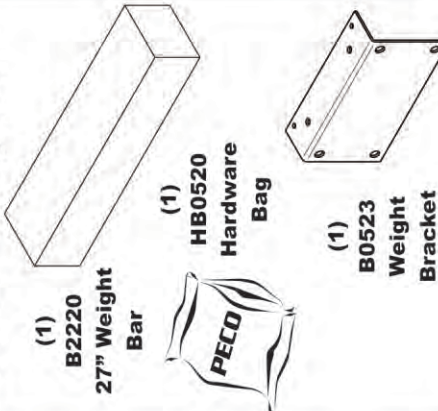
## A1914 Boot Kit



## A0619 Throttle Kit



## A1915 Weight Kit



# Unit Model #: 05131502

Mower: Snapper Pro

Owner's Manual: Q0462

Mower Type: S150XT

Deck Size: 52" & 61"

Deck Type: iCD Cutting System

Revision #: Final Release 5/08/13

Vac Type: 15 Cu. Ft. Pro 3 Bagger

Drive Type: 5.5HP B&S 900 Series Engine

Fits Year(s): 2012-2013



<p><input type="checkbox"/> <b>A1918 Vac Kit</b></p> <p>(1) A1158 Top Assy.          (1) V0025 Plastic Inlet          (1) A1058 Upper Frame Assy.          (1) F0060 6" x 25" Upper Hose          (2) B0752 Lwr. Mnt. Tube          (2) J0060 6" Hose Clamps          (1) HB0521 Hardware Bag</p>	<p><input type="checkbox"/> <b>A1920 Mount Kit</b></p> <p>(1) F0080 8" x 39" Lower Hose          (2) J0080 8" Hose Clamps          (1) A602 Engine/Blower Blade Assembly          (1) B0803 Rear Frame Bracket          (1) A0274 Engine Mount Arm Assembly          (1) B0801 Lt. Frame Bracket          (1) B0802 Rt. Frame Bracket</p>	<p><input type="checkbox"/> <b>A1914 Boot Kit</b></p> <p>(1) E1902 Boot          (1) B0348 Boot Rod          (1) B0800 Boot Plate          (1) HB0555 Hardware Bag</p>	<p><input type="checkbox"/> <b>A1915 Weight Kit</b></p> <p>(1) B2220 27" Weight Bar          (1) HB0520 Hardware Bag          (1) B0523 Weight Bracket</p>
<p><input type="checkbox"/> <b>A0619 Throttle Kit</b></p> <p>(1) A0666 THROTTLE MNT. PL. ASSY.          (1) A0060 70" THROTTLE          (1) HB0249 HARDWARE BAG</p>			

## SECTION III

### OPERATING INSTRUCTIONS

#### 3-1 General Safety

Only qualified people familiar with this operator's manual and the mower's operator's manual should operate this machine.

#### 3-2 Operation And Tips On Mowing

- A. Perform BEFORE EACH USE maintenance list in paragraph 4-1.
- B. Start the engine/blower/blade assembly.
- B. Start mower.
- C. With the mower at high idle speed, engage the mower deck.
- D. Proceed to operate the control levers of the mower.

**NOTE:** If the collection system does not appear to be collecting the grass clippings; disengage the deck, and blower, engage the parking brake and turn the mower off. Check the upper hose, lower hose, top screen and boot for clogs.

To obtain the maximum effectiveness from your collection system the tips listed below should be followed:

- \* Watch your speed- Normal conditions will allow a speed of up to approximately 5 mph, but thick, heavy damp conditions will require reduced ground speed.
- \* Mow with sharp blades- A sharp blade cuts cleaner.
- \* Wet grass and leaves will decrease effectiveness and will increase horsepower requirements.
- \* Mow at higher cutting heights- Remove and mulch no more than 2" of grass length with each mowing. (Experts recommend not cutting off more than 1/3 of the grass blade length at any given time.)
- \* Mow twice, at different height settings, (high, then low), if grass is extra tall.
- \* Remember that horsepower requirements will vary with the mowing conditions such as type and height of turf grass, moisture content, amount of leaves, whether the terrain is flat or hilly, etc.

#### 3-3 Disengagement Of The Blower

**Briggs & Stratton 900 Series** - To stop the engine, throttle the engine to the stop position.

**6.5HP Briggs & Stratton Vanguard** - To stop the engine, move the fuel lever to the OFF position.

#### 3-4 Unloading The Collection System

**NOTE:** To determine when the collection bags are full, follow the following steps:

- A. Stop the forward movement of the mower.
- B. Disengage the mower deck.
- C. Disengage the blower, or stop the blower engine.
- D. Engage the parking brake.
- E. Once the parking brake has been engaged, then and only then, walk behind the mower and check the collection bags by lifting the plastic hood. Load in bags should not exceed the height of the installed bag.
- F. To release bags from frame, open the plastic top and slide bags out, then turn bags over to deposit clippings.
- G. Follow steps on page 17 to re-attach bags back to the bagger.

**NOTE:** Do not allow collection bags to become over-filled as potential damage may occur to your equipment. Also, be sure to clean the hood screen as needed.

## SECTION IV MAINTENANCE

#### 4-1 Maintenance Checklist

Before each use:

1. Check blades and spindles to be sure that no foreign objects, such as wire or steel strapping bands, are wrapped around them.
2. Inspect blades for wear. Replace if necessary. If it is necessary to sharpen the blades, remove the blades from the spindles before sharpening. DO NOT sharpen blades while still attached to the mower.

## SECTION V PARTS AND SERVICE

3. Make sure all shields are in place and in good condition. Repair or replace any missing or damaged shields.
4. Listen for abnormal sounds, which might indicate loose parts, damaged bearings, or other damage. Correct any deficiency before continuing operation.

After Each Use:

1. Clean all debris from machine especially from the container, underneath the belt shields, and safety decals. Replace any missing or illegible decals.
2. Inspect the unit for worn or damaged components. Repair or replace before the next use. Any replacement component installed during repair shall include the component's current safety decal specified by the manufacturers to be affixed to the component.

### 5-1 Parts And Service Information

PECO collection system owners should record the name and telephone number of their Service Center. Your Service Center will be happy to supply replacement parts, accessories, and do any service or repairs to your collection system. If for any reason your Service Center is unable to service your collection system or supply replacement parts, contact PECO and include the following information on the chart below.

THE SERIAL NUMBER PLATE  
IS LOCATED ON THE TOP  
ASSEMBLY P#(A1158)

<b>PECO</b>	
<b>OUTDOOR POWER EQUIPMENT</b>	
<b>Model Number</b>	<input type="text"/>
<b>Serial Number</b>	<input type="text"/>
<b>Arden, North Carolina 28704</b>	

WRITE THE MODEL AND  
SERIAL NUMBER IN THE  
BOX ABOVE FOR FUTURE  
REFERENCE.

**Unit Model Number:** \_\_\_\_\_  
**Unit Engine Size:** \_\_\_\_\_  
**Unit Serial Number:** \_\_\_\_\_  
**Date of purchase:** \_\_\_\_/\_\_\_\_/\_\_\_\_  
**Dealer/Distributor Name:** \_\_\_\_\_  
**Address:** \_\_\_\_\_ **State:** \_\_\_\_\_ **Zip:** \_\_\_\_\_  
**Phone Number:** \_\_\_\_\_

# SAFETY DECALS

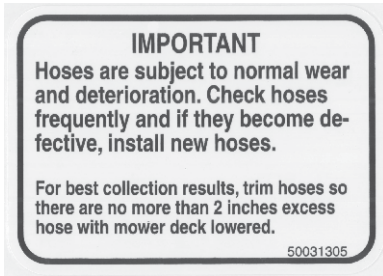
To promote safe operation, PECO supplies safety decals on all products manufactured. Damage can occur to safety decals either through shipment, use or reconditioning. Contact your local Service Center for replacement decals.



Part #: R1090  
Peco Pro Bagger Label



Part #: R1051  
Warning: Hearing Protection Label



Part #: R1054  
Important: Check Hoses Label



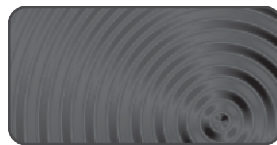
Part #: R4015  
Danger: Rotating Blades Label



Part #: R1069  
Warning: Turn Off Blower Label



Part #: R4008  
Caution: Rotating Blades Label



Part #: R1057  
Red Reflector Label



Part #: R1065  
Made In America Label



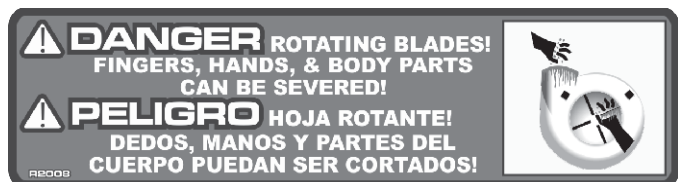
Part #: R1052  
Small Warning: Turn Off Blower Label



Part #: R4037  
Warning: Hot Surface Label



Part #: R2007  
Danger: Never Use Hands Label

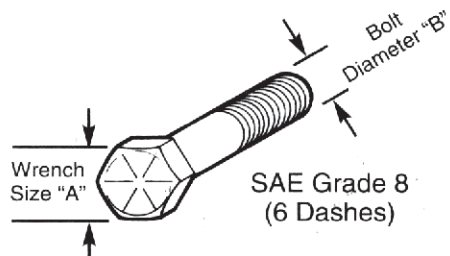


Part #: R2008  
Danger: Rotating Blades Label

# TORQUE SPECIFICATIONS

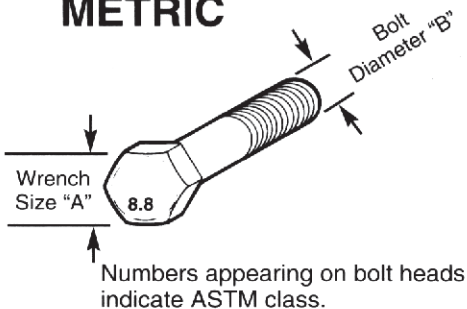
Proper torque for American fasteners used on Peco equipment.  
Recommended Torque in Foot Pounds (Newton Meters).\*

## AMERICAN Bolt Head Markings



WRENCH SIZE (IN.) "A"	BOLT DIAMETER (IN.) "B" AND THREAD SIZE	SAE GRADE 2	SAE GRADE 5	SAE GRADE 8
7/16	1/4 - 20 UNC	6 (7)	8 (11)	12 (16)
7/16	1/4 - 28 UNF	6 (8)	10 (13)	14 (18)
1/2	5/16 - 18 UNC	11 (15)	17 (23)	25 (33)
1/2	5/16 - 24 UNF	13 (17)	19 (26)	27 (37)
9/16	3/8 - 16 UNC	20 (27)	31 (42)	44 (60)
9/16	3/8 - 24 UNF	23 (31)	35 (47)	49 (66)
5/8	7/16 - 14 UNC	32 (43)	49 (66)	70 (95)
5/8	7/16 - 20 UNF	36 (49)	55 (75)	78 (106)
3/4	1/2 - 13 UNC	49 (66)	76 (103)	106 (144)
3/4	1/2 - 20 UNF	55 (75)	85 (115)	120 (163)
7/8	9/16 - 12 UNC	70 (95)	109 (148)	153 (207)
7/8	9/16 - 18 UNF	79 (107)	122 (165)	172 (233)
15/16	5/8 - 11 UNC	97 (131)	150 (203)	212 (287)
15/16	5/8 - 18 UNF	110 (149)	170 (230)	240 (325)
1-1/8	3/4 - 10 UNC	144 (195)	266 (360)	376 (509)
1-1/8	3/4 - 16 UNF	192 (260)	297 (402)	420 (569)
1-5/16	7/8 - 9 UNC	166 (225)	430 (583)	606 (821)
1-5/16	7/8 - 14 UNF	184 (249)	474 (642)	668 (905)
1-1/2	1 - 8 UNC	250 (339)	644 (873)	909 (1232)
1-1/2	1 - 12 UNF	274 (371)	705 (955)	995 (1348)
1-1/2	1 - 14 UNF	280 (379)	721 (977)	1019 (1381)
1-11/16	1-1/8 - 7 UNC	354 (480)	795 (1077)	1288(1745)
1-11/16	1-1/8 - 12 UNF	397 (538)	890 (1206)	1444 (1957)
1-7/8	1-1/4 - 7 UNC	500 (678)	1120 (1518)	1817 (2462)
1-7/8	1-1/4 - 12 UNF	553 (749)	1241 (1682)	2013 (2728)
2-1/16	1-3/8 - 6 UNC	655 (887)	1470 (1992)	2382 (3228)
2-1/16	1-3/8 - 12 UNF	746 (1011)	1672 (2266)	2712 (3675)
2-1/4	1-1/2 - 6 UNC	870 (1179)	1950 (2642)	3161 (4283)
2-1/4	1-1/2 - 12 UNF	979 (1327)	2194 (2973)	3557 (4820)

## METRIC



Proper torque for metric fasteners used on Peco equipment.  
Recommended torque in foot pounds (newton Meters).\*

WRENCH SIZE (mm) "A"	BOLT DIA. (mm) "B"	ASTM 4.6	ASTM 8.8	ASTM 9.8	ASTM 10.9
8	5	1.8 (2.4)		5.1 (6.9)	6.5 (8.8)
10	6	3 (4)		8.7 (12)	11.1 (15)
13	8	7.3 (10)		21.1 (29)	27 (37)
16	10	14.5 (20)		42 (57)	53 (72)
18	12	25 (34)	74 (100)	73 (99)	93 (126)
21	14	40 (54)	118 (160)	116 (157)	148 (201)
24	16	62 (84)	167 (226)	181 (245)	230 (312)
30	20	122 (165)	325 (440)		449 (608)
33	22		443 (600)		611 (828)
36	24	211 (286)	563 (763)		778 (1054)
41	27		821 (1112)		1138 (1542)
46	30	418 (566)	1119 (1516)		1547 (2096)

\*Use 75% of the specified torque value for plated fasteners. Use 85% of the specified torque values for lubricated fasteners.





**10 WALDEN DRIVE  
ARDEN, NORTH CAROLINA 28704  
(800) 438-5823 OR (828) 684-1234 FAX: (828) 684-0858  
EMAIL: [peco@lawnvac.com](mailto:peco@lawnvac.com)  
WEBSITE: [www.lawnvac.com](http://www.lawnvac.com)**