



**PTO
GRASS COLLECTION SYSTEM**

**PRO 3 BAGGER
NEW HOLLAND G5030
54" and 60" DECKS 2009**

**MODEL #18031301- 54"
MODEL #18031302- 60"**



OPERATOR'S MANUAL

ASSEMBLY ● OPERATION ● MAINTENANCE

RESIDENTIAL BAGGING SYSTEM

TABLE OF CONTENTS

SECTION	PAGE	SECTION	PAGE
Safety	2	2-13 Inlet Installation-	10
Safety Alert Symbols-	3	2-14 Boot To Mower deck Installation	11
Warranty	4	2-15 Front Weight Assembly Installation	11-12
I INTRODUCTION AND DESCRIPTION	5	2-16 Length Of Hose Adjustment	13
1-1 Introduction	5	2-17 Upper Hose Installation	13
1-2 Description	5	2-18 Lower Hose To Blower Cone Installation-	13
II INSTALLATION FOR USE	5	2-19 Lower Hose To Boot Installation	13
2-1 Preparation Of Mower	5-6	2-20 Installation/Removal Of Collection Bags	14
2-2 Lower Mount Tube Installation	6	III OPERATING INSTRUCTIONS	15
2-3 Lower Mount Clamp Bracket Installation	6	3-1 General Safety	15
2-4 PTO Mount Plate Assembly Installation	6-7	3-2 Operation & Tips On Mowing	15
2-5 Universal PTO Installation	7	3-3 Disengagement Of The PTO Assembly	15
2-6 PTO Handle Installation	7	3-4 Unloading The Collection System	15
2-7 Belt Installation/Removal And Adjustment-	8	IV MAINTENANCE-	15
2-8 Cam Assembly Adjustment	8	4-1 Maintenance Checklist	15-16
2-9 Blower Cone Installation	8	4-2 Lubrication-	16
2-10 Impeller Blade Removal/Replacement	9	V PARTS AND SERVICE	16
2-11 Upper Frame Assembly Installation	10	5-1 Parts And Service Information	16
2-12 Top Assembly To Upper Frame Assembly	10	Exploded Views/Parts List And Pack Drawing	17-21
Installation	10	Safety Decals	22
		Torque Specifications	23

SAFETY

1. Read the operator's manual carefully and familiarize yourself with the proper use of your attachment. Do not allow anyone who is not acquainted with the Safety Instructions to use your attachment.
2. Know the controls and how to stop quickly. **READ THE OPERATOR'S MANUAL!**
3. Do not allow children to operate the mower. Do not allow adults to operate the mower or grass collection system without proper instruction.
4. Be especially watchful of children and pets darting into the area while operating.
5. Keep your eyes and mind on your unit while mowing or operating your attachment. Don't let others distract you.
6. Do not attempt to operate your unit or mower when not in the driver's seat.
7. Always stop unit when emptying the container.
8. Stop unit, shut off deck attachment, set parking brake, shut off mower engine and remove spark plug wire before removing clogs, removing or replacing hose, boot, blower cone, or performing any maintenance.
9. If a slope must be ascended, back up the slope; drive forward when descending.
10. It is recommended that the container be kept only half full when negotiating any slopes. Start mowing on slopes when the container is empty and never mow slopes greater than 15 degrees.
11. Inspect your lawn and remove any foreign objects before mowing. Never deliberately run the mower across any foreign object.
12. Wear ear protection if the noise level is offensive.
13. Wear eye protection to prevent debris from damaging your eyes.

SAFETY

WARNING! **NEVER** operate the mower unless the discharge guard and either the deflector assembly or the vacuum collector adapter are fastened securely in place.

WARNING! Do not work around the mower deck boot or the blower area until you are certain that the mower blades and the blower impeller have stopped rotating.

WARNING! To avoid serious injury, perform maintenance on the vacuum collector; **ONLY AFTER STOPPING THE MOWER'S ENGINE AND WAITING FOR ALL MOVING PARTS TO COME TO A COMPLETE STOP.** Set the parking brake. Always remove the ignition key before beginning maintenance.

WARNING! For your own personal safety, **ALWAYS** back up the face of slopes. **NEVER** attempt to mow excessively steep slopes, and use caution when turning on any slope.

Safety Alert Symbol



This Safety Alert Symbol means: **“ATTENTION! BECOME ALERT! YOUR SAFETY IS INVOLVED!”**

This symbol is used to call attention to safety precautions that should be followed by the operator to avoid accidents. When you see this symbol, carefully read the message that follows and heed its advice. Failure to comply with safety precautions could result in death or serious bodily injury.

Safety Signs

The signal words **DANGER**, **WARNING**, and **CAUTION** are used on the equipment safety signs. These words are intended to alert the viewer to the existence and the degree of hazard seriousness.



White letters on **RED**

This signal word indicates a potentially hazardous situation which, if not avoided, will result in death or serious injury.



Black letters on **ORANGE**

This signal word indicates a potentially hazardous situation which, if not avoided, could result in death or serious injury.

It may also be used to alert against unsafe practices.



Black letters on **YELLOW**

This signal word indicates a potentially hazardous situation exist which, if not avoided, will result in minor or moderate injury.

It may also be used to alert against unsafe practices.

PECO LIMITED WARRANTY FOR NEW PRODUCTS

A. WHAT IS WARRANTED?

PECO extends the following warranties to the original purchaser of each new PECO consumer product subject to the following limitations:

- 1. PRODUCT WARRANTY:** Any part of any consumer product, which is defective in material or workmanship as delivered to the purchaser will be repaired or replaced, as PECO elects, without charge for parts or labor, if the defect appears within 12 months (90 days for commercial use) from the date of delivery of the product to the original purchaser. **ALL DEFECTIVE PARTS MUST BE RETURNED TO PECO FOR INSPECTION TO DETERMINE VALIDITY OF WARRANTY CLAIMS.** Freight and mailing will be borne by the customer.
- 2. PARTS REPLACED DURING WARRANTY:** Any new PECO part which is furnished in performance of this warranty and is defective in material or workmanship as delivered to the purchaser will be repaired or replaced, as PECO elects, without charge if the defect appears within 90 days from the date of installation of such part or before the expiration of the original warranty period, whichever is later.

B. SECURING WARRANTY ADJUSTMENTS.

Call PECO for Return Authorization. Damaged or broken parts, other than engines, batteries, and gearboxes must be returned to PECO Inc., 100 Airport Road, Arden, NC 28704 before any warranty adjustment can be authorized. At the time of requesting warranty adjustment, the purchaser must present evidence for date of delivery of the product. The purchaser shall pay any charge for the product to and from Arden, NC.

C. ITEMS NOT COVERED BY PECO WARRANTY.

Engines, batteries and, gearboxes attached to PECO products are covered under a separate warranty by the respective manufacturer.

D. UNAPPROVED ALTERATION OR MODIFICATION.

All obligations of PECO Inc., under this warranty, shall be terminated if products are altered or modified in ways not approved by PECO Inc..

E. ACCIDENTS AND NORMAL MAINTENANCE.

The warranty covers only defective material and workmanship. It does not cover depreciation or damage caused by normal wear, accident, improper use or abuse of products. The cost of normal maintenance and normal replacement of service items such as belts, cutting blades, hoses, etc., which are not defective shall be paid for by the purchaser.

F. NO REPRESENTATIONS ADDITIONAL WARRANTIES, DISCLAIMER.

Neither PECO Inc. nor any company affiliated with it makes any warranties, representations or promises as to the quality of performance of its products other than those set forth herein. Except as described above, PECO Inc. makes no other warranties **AND SPECIFICALLY DISCLAIMS ANY AND ALL IMPLIED WARRANTIES OF FITNESS AND MERCHANTABILITY.**

G. ANY MACHINE USED FOR RENTAL PURPOSES ARE GUARANTEED FOR 45 DAYS FROM DATE OF ORIGINAL SALE ONLY.

H. REMEDIED EXCLUSIVE.

The only remedies the purchaser has in connection with the breach or performance of any warranty on PECO Inc. consumer products are set forth above. In no event will PECO be liable for special incidental or consequential damages.

1. NO SERVICE CENTER WARRANTY.

The selling Service Center makes no warranty on his own on any item warranted by PECO Inc. unless he delivers to purchaser a separate written warranty certificate specifically warranting the item. The dealer has no authority to make any representation or promise on behalf of PECO or to modify the terms of this warranty in any way.

Section I

INTRODUCTION & DESCRIPTION

1-1 Introduction

Your grass collection system has been designed to give you a low maintenance, simple, and effective way to collect the grass clippings from your mower. This manual is provided to give you the necessary instructions to properly mount and operate the collection system on your mower. Please read this manual thoroughly. Understand what each control is for and how to use it. Observe all safety decal precautions on the machine and noted throughout the manual.

NOTE: all references made to right, left, front, rear, top or bottom are as viewed from the normal operator's position on the mower.

1-2 Description

The grass collection system is designed for turf maintenance where there is a need to collect the grass clippings as the mower cuts the turf. It is also used for picking up leaves in pre-season and post-season clean-up.

The blower, mounted on the right side of the unit, uses a belt and gearbox system from the engine PTO shaft. Drive train protection comes through belt slippage. The blower draws grass clippings from the discharge area of the cutting deck back to the (3) - 3.3 cubic foot collection bags P#(G0002) at the rear portion of the mower frame. The operator can engage the blower with a spring-lock engagement handle on the right side of the unit. Once the bags are full with clippings, they can be released to make for easy dumping.

Section II

INSTALLATION FOR USE

2-1 Preparation Of Mower

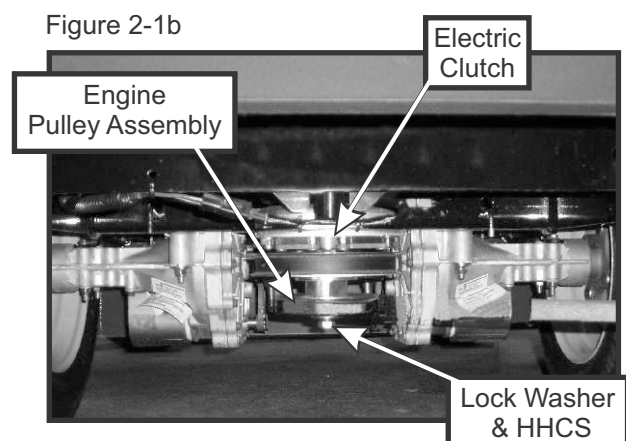
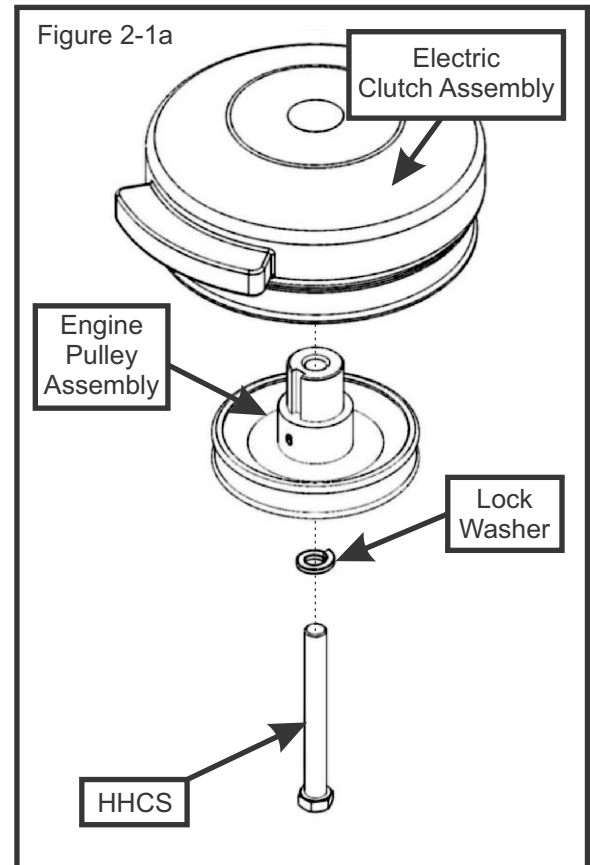
Carefully open the shipping box. The grass collection system will have various parts located inside. Remove and sort all parts for easy identification. Verify all parts against the list on page 5. If parts are missing, please contact PECO Inc. at (800) 438-5823.

NOTE: Study all drawings and exploded views before starting assembly.

From the underside of the engine, remove the bolt and bushing from the electric clutch assembly. Use a bungee cord or similar device to hold the clutch in place while the hardware is removed.

Place the engine pulley assembly P#(A0699) under the existing clutch assembly and fasten the engine pulley to the electric clutch using (1) 7/16" hi-collar helical spring lock washer P#(K0140) and (1) 7/16"-20 x 2-3/4" HHCS P#(K0397). See Figure 2-1a and 2-1b for details.

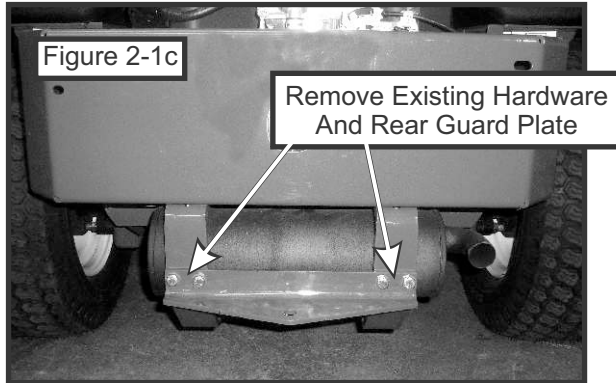
The added pulley will power the collection system. Torque the bolt to 55 ft./lbs.



2-1 Continued...

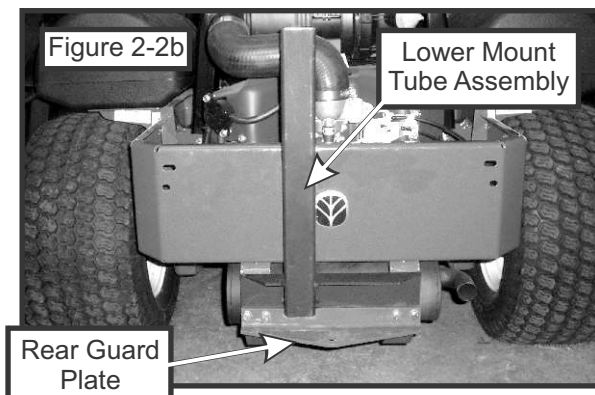
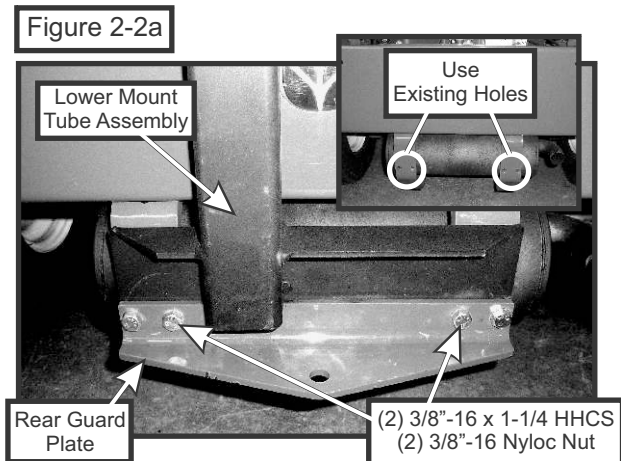
Removing The Rear Bumper Guard

Remove the four existing nuts and hex bolts that fasten the rear guard plate to the rear frame of the mower. The guard plate will be used in the next step. See Figure 2-1c.



2-2 Lower Mount Tube Installation

Align the holes in the lower mount tube assembly P# (A1720) with the holes on rear frame. Replace rear guard plate on top of lower mount tube assembly and fasten with (2) 3/8"-16 x 1-1/4" HHCS P#(K1192) and (2) 3/8"-16 nyloc nuts P#(K1216) on each side. Tighten hardware. See Figure 2-2a and 2-2b.



2-3 Lower Mount Clamp Bracket Installation

Mount the lower mount clamp bracket P#(B0302) to the lower mount tube assembly P#(A1720) and the tractor rear guard. The bracket's bend should be placed to the inside of the rear frame edge. Place (1) 3/8"-16 x 2-1/4" x 2-5/8" U-bolt P#(K1119) from the tube side. Secure with (2) 3/8"-16 nyloc nuts P#(K1216). Refer to Figure 2-3a and 2-3b.

Figure 2-3a

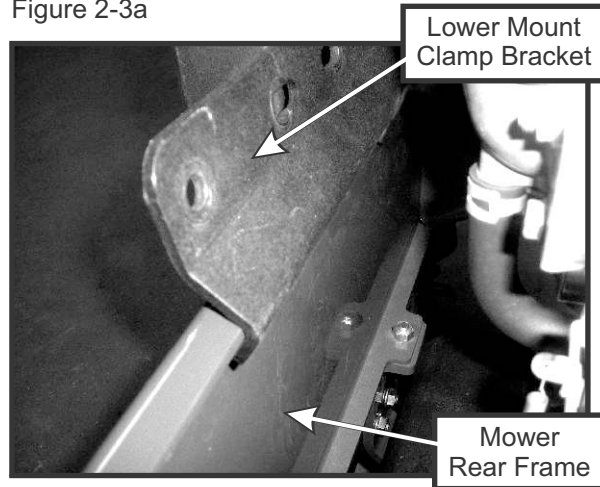
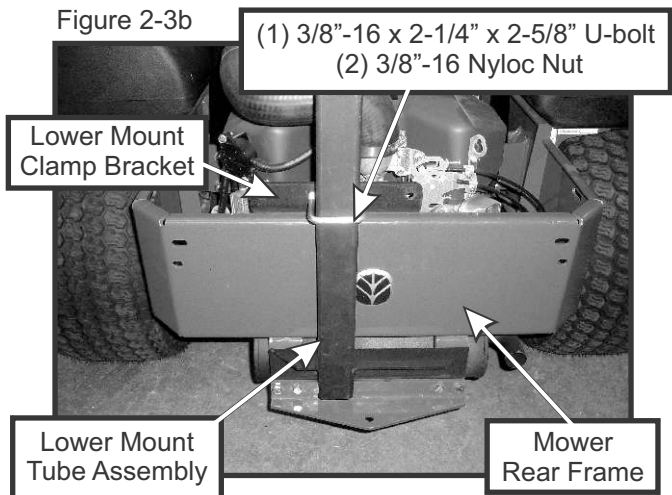


Figure 2-3b



2-4 PTO Mount Plate Assembly Installation

Locate the existing holes in the right side of the mower rear frame. Mount the PTO Mount Plate Assembly P#(A0670) using (4) 3/8"-16 x 1-1/4" HHCS P#(K1192) and (4) 3/8"-16 nyloc nuts P#(K1216) with (4) 3/8" flat washers P#(K0047). See Figure 2-4a thru 2-4c.

NOTE: Use the lower set of mounting holes on the PTO mount plate assembly to ensure that there is enough clearance for the belt used in the next step.

Figure 2-4a

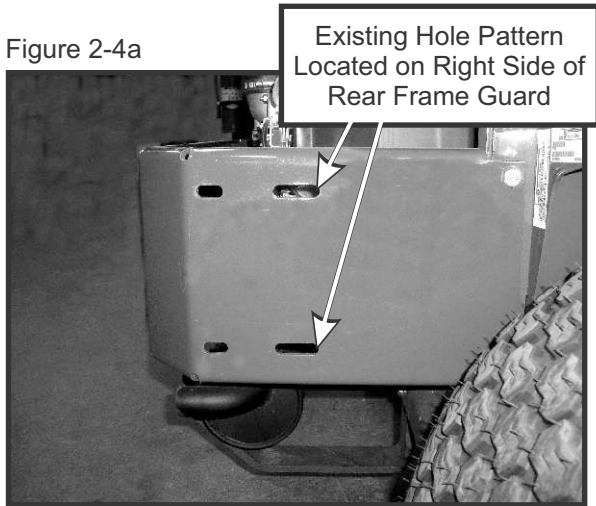


Figure 2-4b

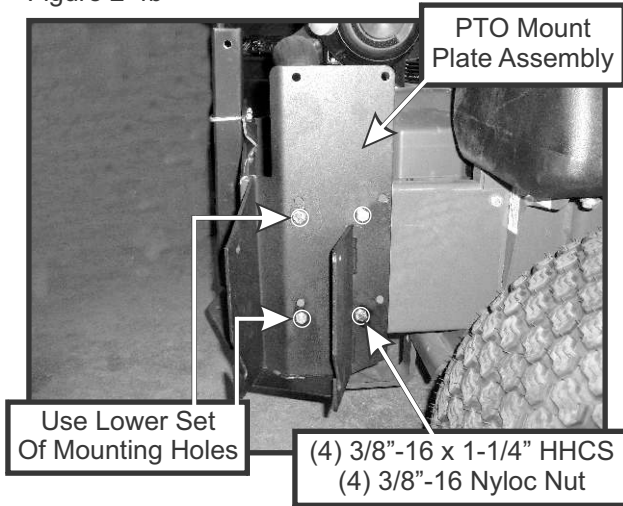
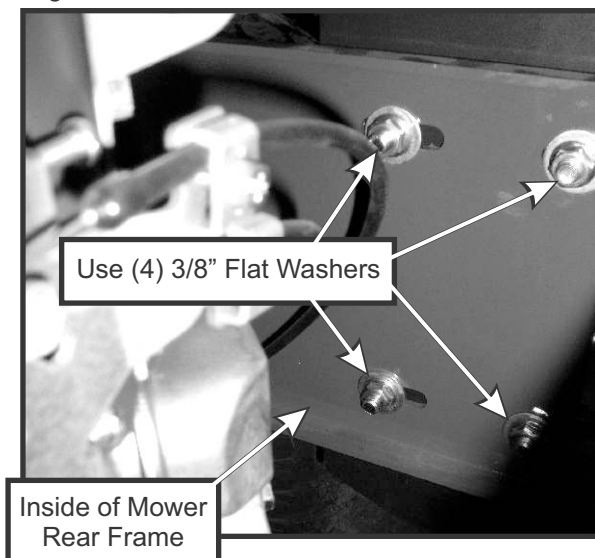
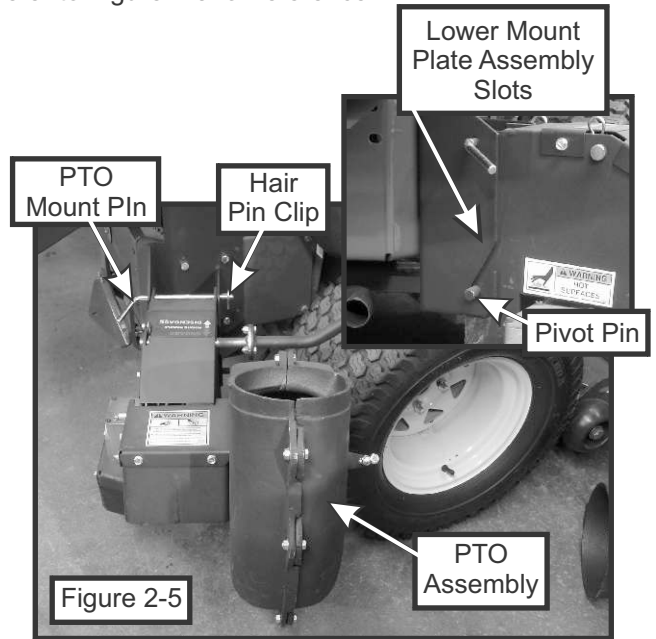


Figure 2-4c



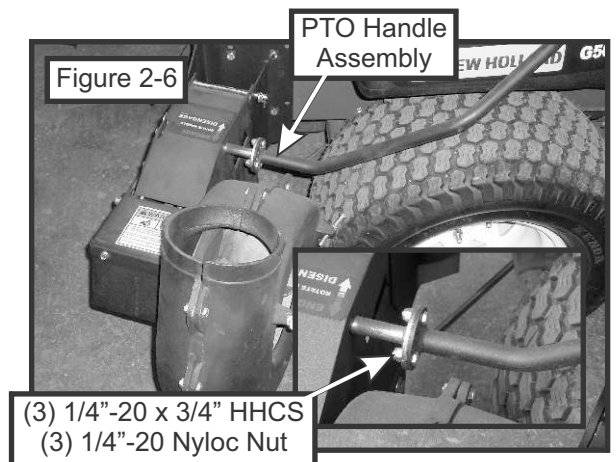
2-5 Universal PTO Installation

To mount the PTO assembly P#(A0623) to the PTO mount plate assembly. Insert the pivot pins on the PTO assembly into the slots on the PTO mount plate assembly. Rotate the PTO assembly up, until the PTO mount pin holes are aligned on both of the assemblies. Secure the PTO assembly with (1) PTO mount pin P#(B0274), and (1) hair pin clip P#(K0086). Refer to Figure 2-5 for reference.



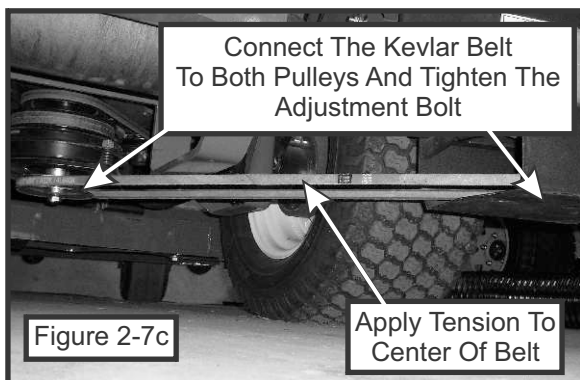
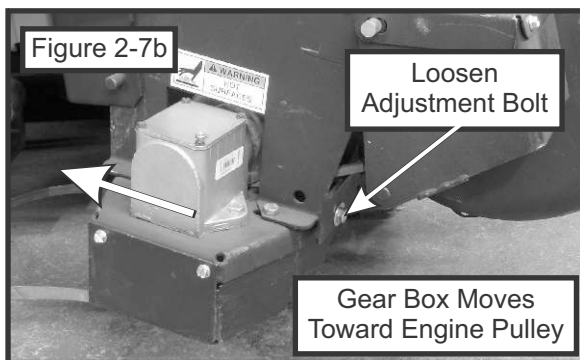
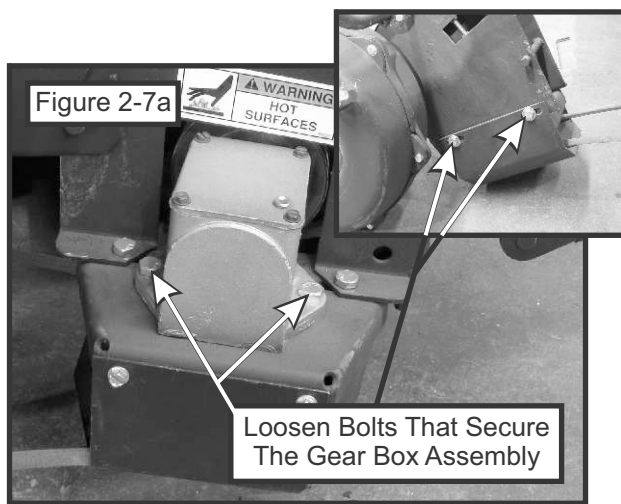
2-6 PTO Handle Assembly Installation

Mount the PTO handle assembly P#(A0626) to the PTO assembly P#(A0623) using (3) 1/4\"-20 x 3/4\" HHCS P#(K1222) and (3) 1/4\"-20 nyloc nut P#(K1128). Before fastening, make sure there is room for the handle to engage and disengage without hitting the fuel tank. After mounting the PTO handle assembly, insert the yellow handle grip P#(J0522) onto the end of the PTO handle.



2-7 Belt Installation/Removal and Adjustment

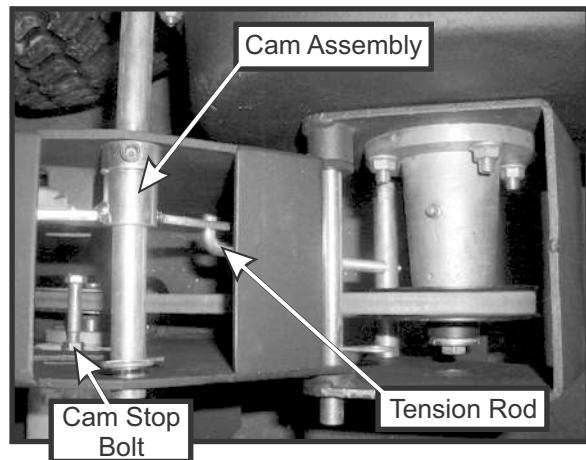
Loosen the (4) bolts P#(K1191), (2) on each side, that secure the gear box assembly to the PTO assembly P#(A0623) (Figure 2-7a). Loosen the adjustment bolt P#(K0348) until the gear box assembly is at its far left adjustment (the gear box is moved toward the mower's engine pulley)(Figure 2-7b). Connect the kevlar cord belt A64K P#(M0306) from the engine pulley to the lower gear box pulley (Figure 2-7c). To tension the drive belt, turn the adjustment bolt clockwise until there is 1" of deflection, with 10-11 lbs. of pressure, at the center of the belt between the engine pulley and the gear box pulley. Once the correct tension of the belt is achieved, tighten the (4) bolts that secure the gear box assembly.



2-8 Cam Assembly Adjustment

The cam assembly P#(A0422), which controls the blower belt tension, comes pre-adjusted from the factory. If the belt is too tight or becomes too loose, remove the hair pin clip P#(K0099) from the belt tension rod P#(K0326) and pull the "L" end of the rod out of its hole in the cam assembly. The tension rod may then be screwed out to tighten the belt or screwed in to loosen the belt. Replace the "L" end into the top hole in the cam and replace the hair pin clip. Adjust the cam stop bolt P#(K1159) to allow the cam to rotate slightly over center when the blower is disengaged (Figure 2-8).

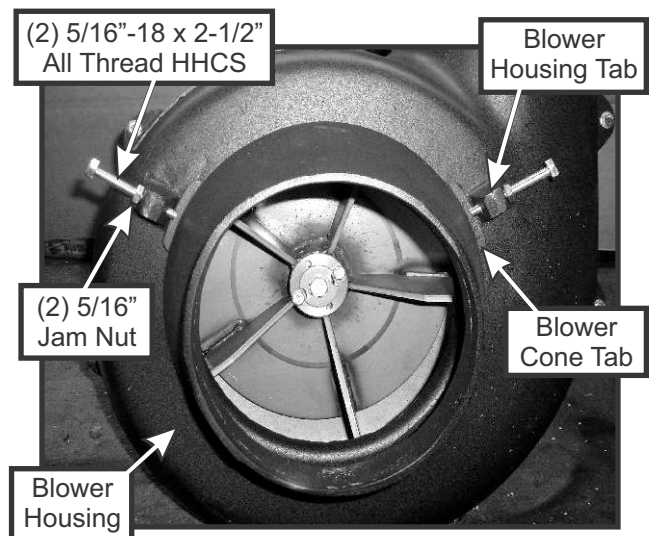
Figure 2-8



2-9 Blower Cone Installation

Thread a 5/16"-18 jam nut P#(K0120) onto the end of a (1) 5/16"-18 x 2-1/2" HHCS P#(K0125). Now partially thread the bolts into each of the two tabs located on the blower housing. Place blower cone so the two tabs line up with the bolts then tighten completely. See Figure 2-9.

Figure 2-9



2-10 Impeller Blade Removal/Replacement

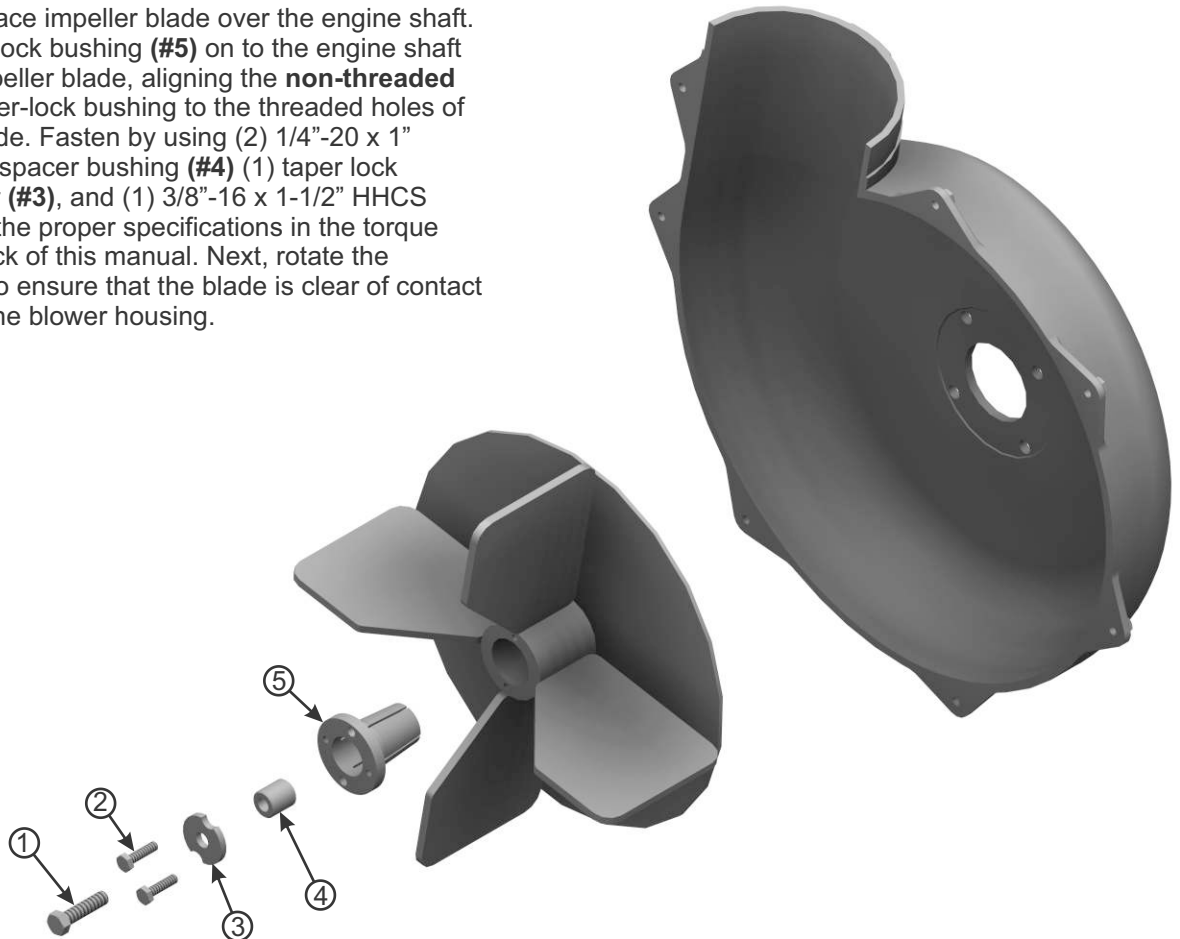


BEFORE REMOVING/REPLACING THE IMPELLER BLADES, BE SURE THE MOWER IS TURNED OFF, THE PTO ASSEMBLY IS DISENGAGED AND THE NEGATIVE CABLE IS REMOVED FROM THE BATTERY. FAILURE TO DO SO MAY RESULT IN SEVERE INJURY OR DEATH.

Remove the blower cone from the blower housing located on the PTO assembly P#(A0623). With the blower cone removed, you will have access to the impeller blade P#(A0645). Refer to Figure 2-10.

To Remove: First remove the 3/8"-16 x 1-1/2" HHCS P#(K1211) (#1), taper lock bushing washer P#(K0278) (#3) and spacer bushing P#(S3242) (#4) from the taper-lock bushing (#5). See Figure 2-9. Next remove the (2) 1/4"-20 x 1" HHCS (#2) and place them into the threaded holes of the taper-lock bushing P#(S4302) (#5). Gradually thread each bolt evenly into the taper-lock bushing, forcing the blade to break-away from the taper-lock bushing. If the impeller will not move, carefully hit the base of the impeller, between each vein, with a hammer, then try again.

To Replace: Place impeller blade over the engine shaft. Slide the taper-lock bushing (#5) on to the engine shaft and into the impeller blade, aligning the **non-threaded** holes of the taper-lock bushing to the threaded holes of the impeller blade. Fasten by using (2) 1/4"-20 x 1" HHCS (#2), (1) spacer bushing (#4) (1) taper lock bushing washer (#3), and (1) 3/8"-16 x 1-1/2" HHCS (#1). Torque to the proper specifications in the torque chart on the back of this manual. Next, rotate the impeller blade to ensure that the blade is clear of contact on all sides of the blower housing.



2-11 Upper Frame Assembly Installation

NOTE: During this step, it is suggested that two people install the upper frame to the lower mount tube.

Using (2) people to lift the upper frame P#(A0585), lift the upper frame above the alower mount assembly P#(A1720) making sure the frame is pointing away from the mower. See Figure 2-11a. Slide the upper frame tube into the lower mount assembly and align holes. Secure with (1) clevis pin P#(K0133) and (1) hair pin clip P#(K0088). see Figure 2-11b

Figure 2-11a

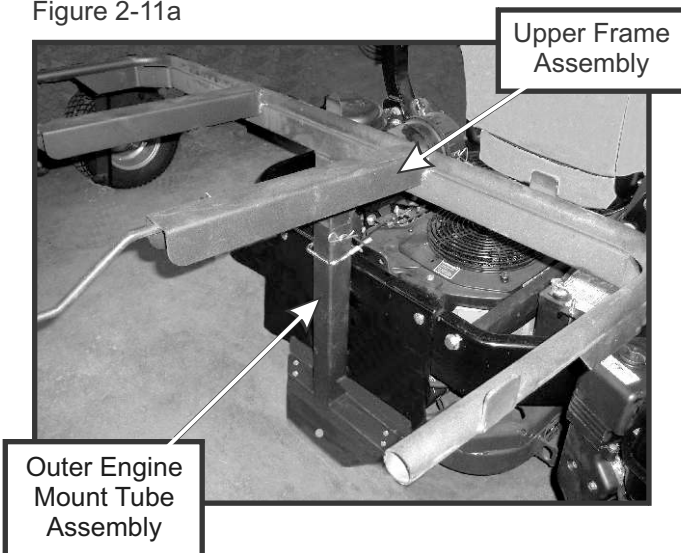
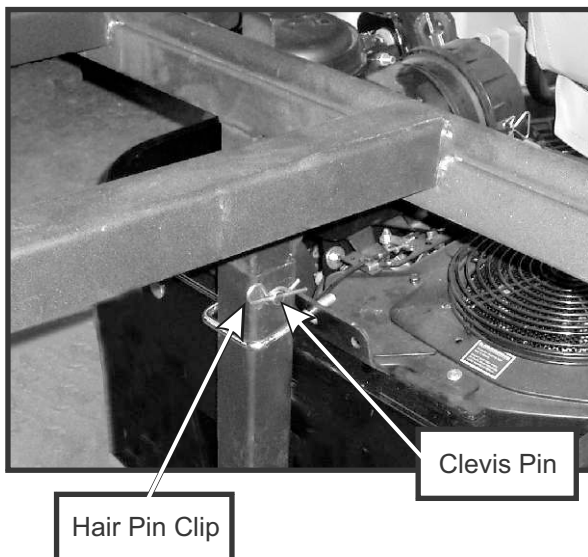


Figure 2-11b



2-12 Top Assembly To Upper Frame Assembly Installation

Align the pivot brackets of the top assembly P#(A0551) to the pivot point on either side of the upper frame assembly. Place (1) P#(K0041) fender washer between each pivot point (Figure 2-12a) and fasten each side by using (1) P#(K1153) 5/16"-18 x 3/4" HHCS and (1) P#(K1180) 5/16"-18 nyloc nut. When fastening leave nut slightly loose so that the top can pivot freely. See Figure 2-12b.

Figure 2-12a

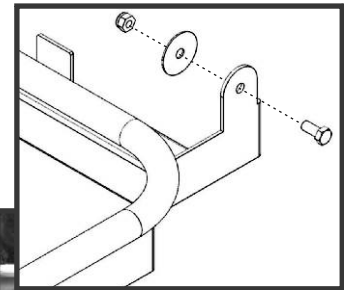
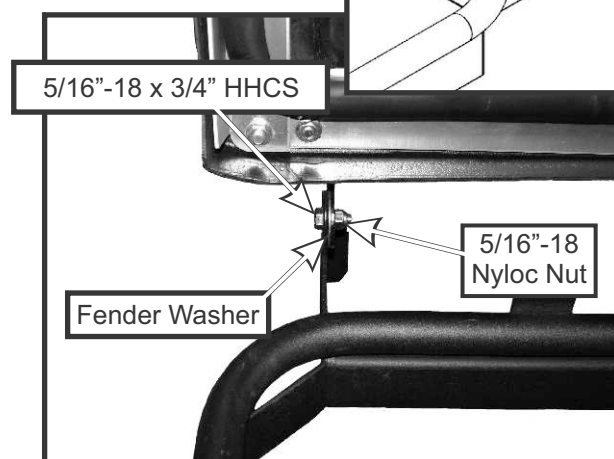


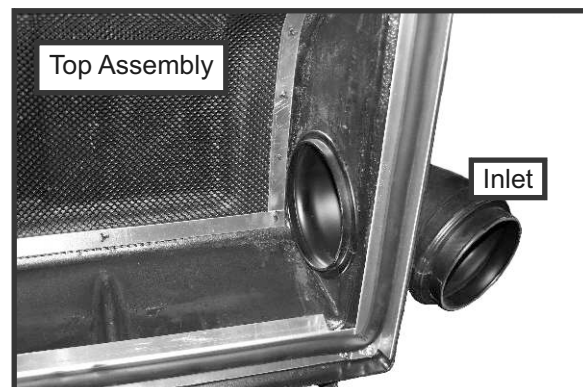
Figure 2-12b



2-13 Inlet Installation

With the top assembly P#(A0551) in the upright position, insert the inlet P#(V1054) into the right hand hole in the top assembly as shown in Figure 2-13. Continue to insert the inlet until it snap locks into place. The inlet should now pivot freely about the hole.

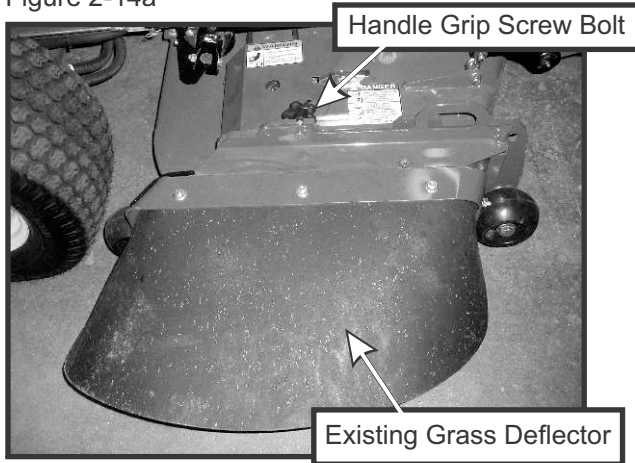
Figure 2-13



2-14 Boot To Mower Deck Installation

Remove the handle grip screw bolt from the grass deflector and set aside. The handle grip will be used to mount the boot plate in the next step. Remove the existing grass deflector from the mower deck. See Figure 2-13a.

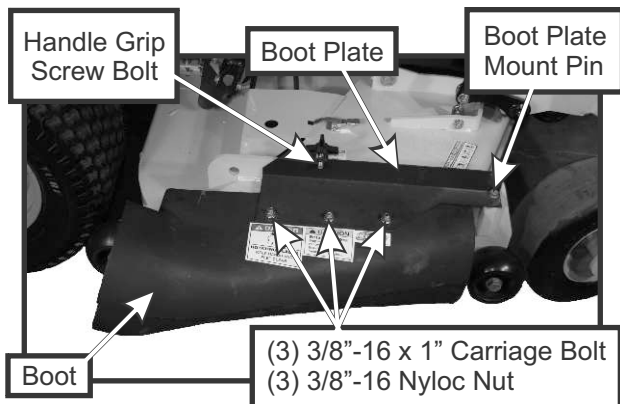
Figure 2-14a



60" Deck Instructions:

To mount the boot plate P#(A1718) to the boot P#(E0016) use (3) 3/8"-16 x 1" carriage bolts P#(K1182) and (3) 3/8"-16 nyloc nuts P#(K1216). Make certain that when bolting the boot and boot plate together, that the head of the bolt is placed from the inside of the boot. This will prevent grass from collecting on bolts. Attach the (1) boot plate mount pin P#(B0284) with (1) 3/8"-16 x 3/4" HHCS bolt and (1) 3/8"-16 lock washer P#(K0048). Insert the boot plate mount pin into the existing hole on the mower deck and fasten the boot plate to the mower deck using the handle grip screw bolt as shown in Figure 2-14b.

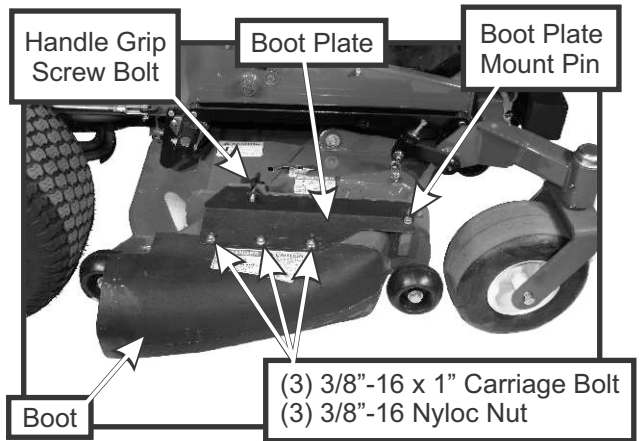
Figure 2-14b



54" Deck Instructions"

To mount the boot plate P#(A1718) to the boot P#(E2415) use (3) 3/8"-16 x 1" carriage bolts P#(K1182) and (3) 3/8"-16 nyloc nuts P#(K1216). Make certain that when bolting the boot and boot plate together, that the head of the bolt is placed from the inside of the boot. This will prevent grass from collecting on bolts. Attach the (1) boot plate mount pin P#(B0284) with (1) 3/8"-16 x 3/4" HHCS bolt and (1) 3/8"-16 lock washer P#(K0048). Insert the boot plate mount pin into the existing hole on the mower deck and fasten the boot plate to the mower deck using the handle grip screw bolt as shown in Figure 2-14c.

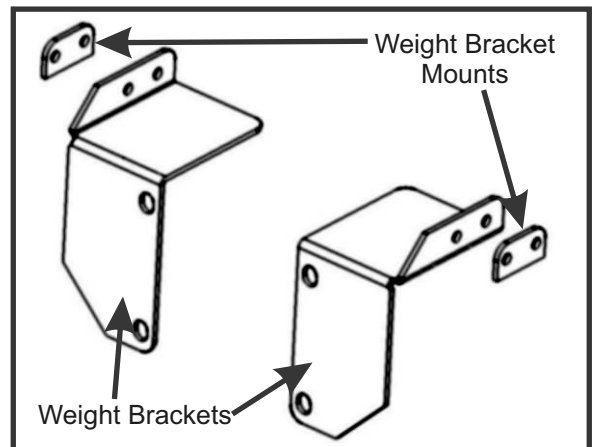
Figure 2-14c



2-15 Front Weight Assembly

When installing the weight you should have another person help position the weight or use a jack to hold the weight in place until fastened. The weight will be attached using weight brackets (2) P#(B0317) and (2) weight bracket mounts P#(B0318) on the left and right side of the front frame bar on mower. See Figure 2-15a for part identification.

Figure 2-15a

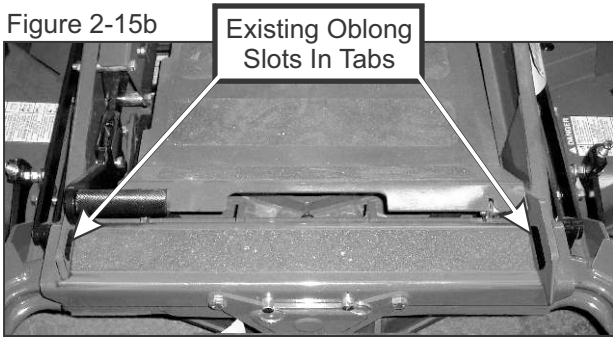


2-15 Front Weight Assembly

Continued...

Locate the front frame bar of mower. On each side of the front frame there is a tab on each side with an existing oblong slot. The left and right brackets (2) P#(B0317) are to be mounted to the inside of tab and the (2) bracket mounts are to be mounted on the outside of tab. See Figure 2-15b and 2-15c.

Figure 2-15b



Mount the brackets to each side using (2) 3/8"-16 x 1-1/4" HHCS bolts P#(K1192) and (2) 3/8"-16 nyloc nuts P#(K1216) per side. The bolt should enter from the outside of tab. See Figure 2-15c thru 2-15e.

Figure 2-15c

Left Side

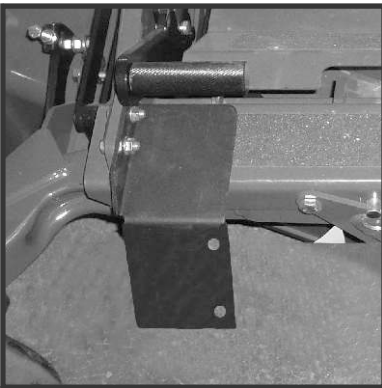


Figure 2-15d

Right Side

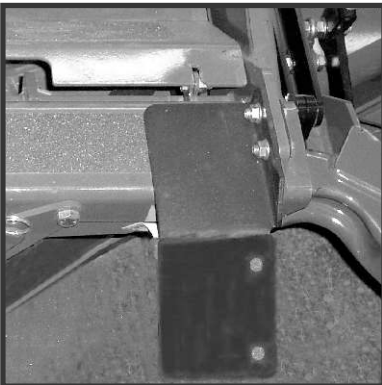
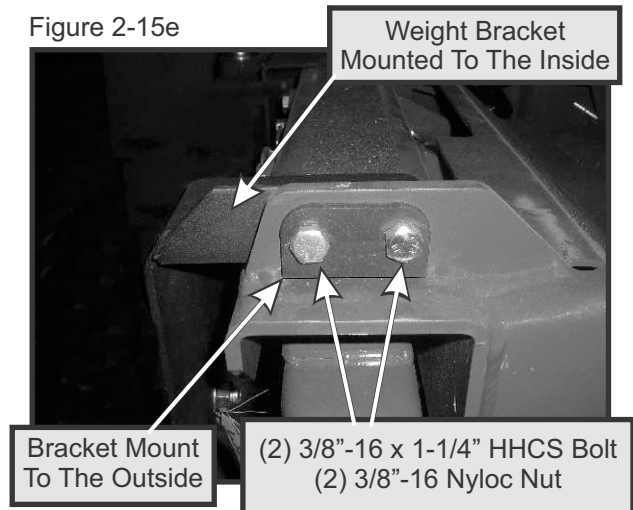
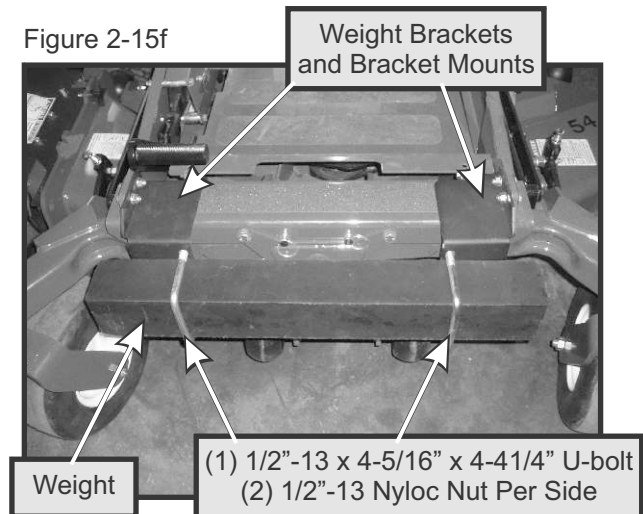


Figure 2-15e



Once the brackets are mounted and hardware tightened, mount the weight to the front of the brackets using (1) 1/2"-13 x 4-5/16 x 4-1/4" U-bolts P#(K0331) and (2) 1/2"-13 nyloc nuts P#(K1247) per side. The bolt should enter from the outside of weight. Another person should help with the weight or use a jack to hold weight in place until secure. See Figure 2-15f.

Figure 2-15f



2-16 Length Of Hose Adjustment

The hoses in steps 2-17 and 2-19 must be cut to fit your machine. Do not cut the hoses until you have tried to fit them on your machine. Remember that the hoses have to be long enough to adjust for the blower assembly's movement as well as allow for enough clamping surface between the inlet, blower assembly and the deck boot.

2-17 Upper Hose Installation

Slide a hose clamp P#(J1000) over both ends of the upper hose. Then slide one end of the upper hose onto the inlet. Make sure there is about a two-inch overlap between the hose end and the container inlet. Proceed to slide the opposite end of the upper hose onto the outlet of the blower assembly. See Figure 2-17 for details. Tighten the hose clamps.

2-18 Lower Hose To Blower Cone Installation

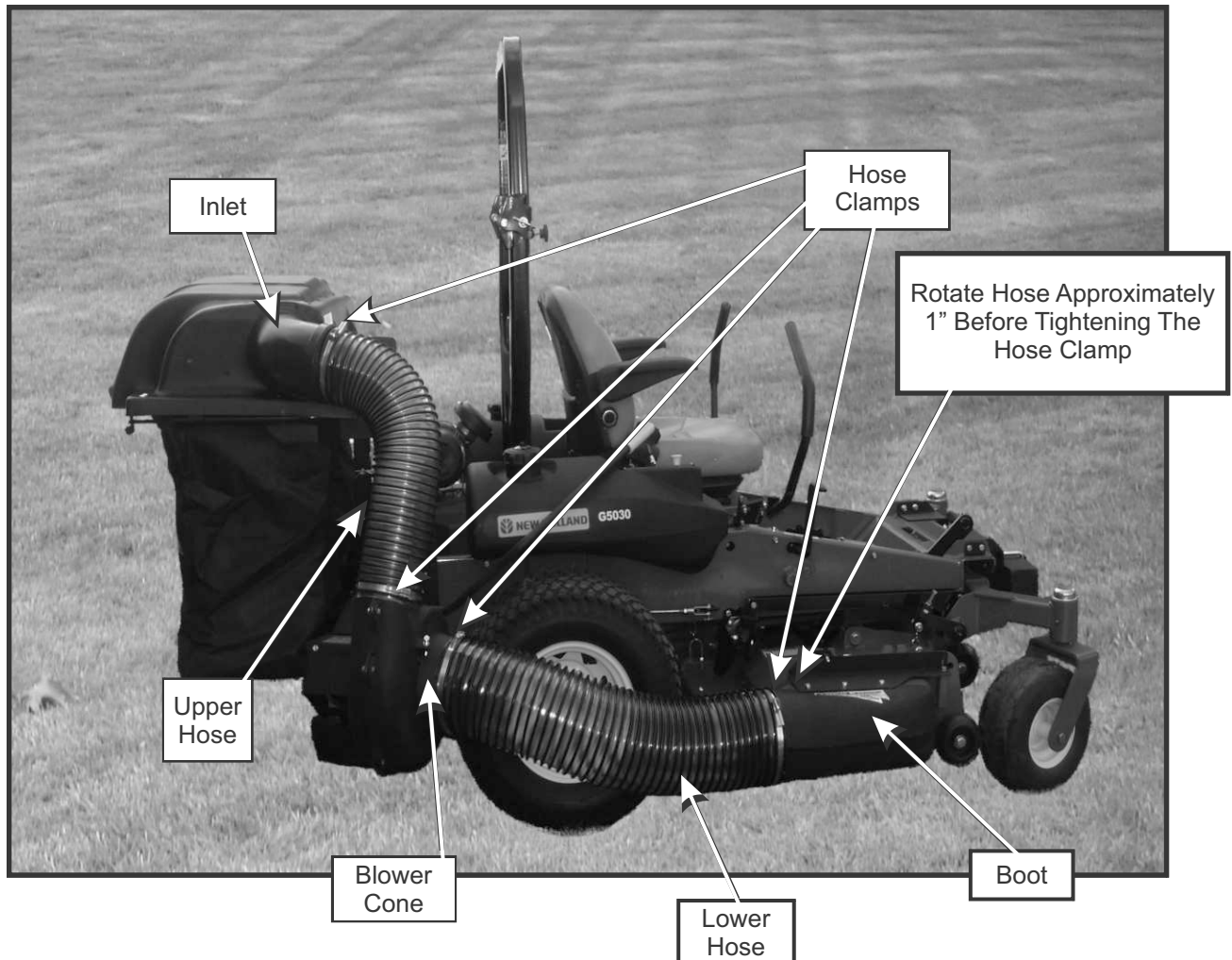
Slide a upper hose clamp P#(J1000) over both ends of the 8" lower hose. Then proceed to slide the lower hose onto the blower cone. Tighten the hose clamp. See Figure 2-17 for details.

2-19 Lower Hose To Boot Installation

Take the unattached end of the lower hose and slide it over the circular end of the boot. Use the hose clamp P#(J1000) to secure the hose to the boot.

NOTE: Before tightening the hose clamp, rotate the lower hose counter clockwise (see Figure 2-17) approximately 1" and then tighten the clamp. This will hold the bottom edge of the boot tight to the mower deck.

Figure 2-17



2-20 Installation/Removal Of Collection Bags

To install the bag onto the bag ring, first make sure the bag ring end caps are fastened to the bag ring. Place the seam openings of the bag onto the bag ring openings and turn the bag until the slot bracket in the bag ring is protruding from the opening in the bag (Figure 2-20a). Do this for each of three bags.

Install the completed assemblies onto the support frame and close the plastic top. Fasten both draw latches to hold the plastic top closed (Figure 2-20b).

To empty the bag, remove the bag and bag ring by lifting and sliding rearward. Grasp the loop on the bottom of the bag, turn it upside down and empty the collected debris (Figure 2-20c). Repeat for the other bags. Reinstall all bags, line with plastic bags if desired, close the plastic top and reattach the draw latches.

Plastic lawn and leaf bags, 33 gallon size, may be used inside the cloth bags. Be sure to leave enough plastic bag hanging over the frame so the plastic bags can be twist tied before emptying (Figure 2-20d).

Figure 2-20b

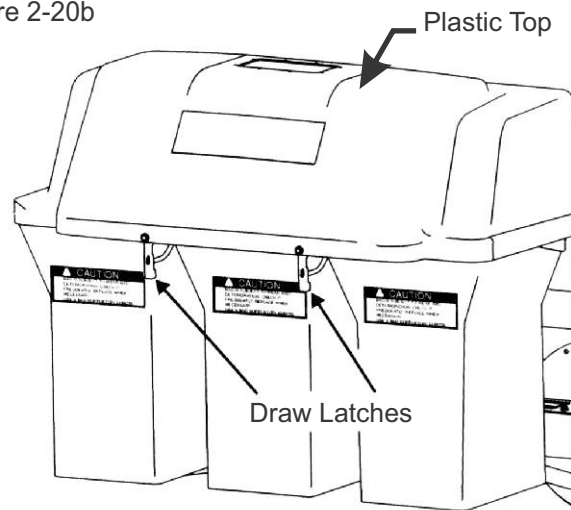


Figure 2-20c

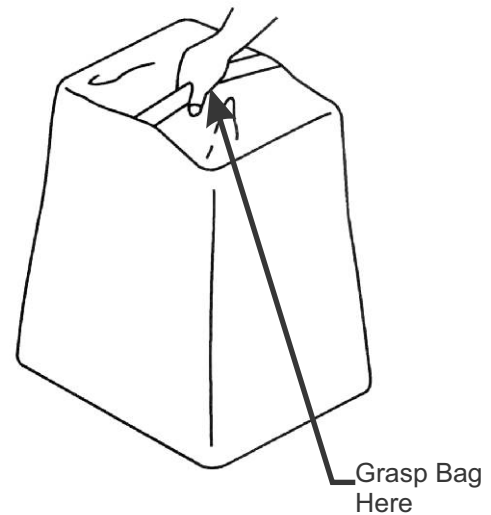


Figure 2-20d

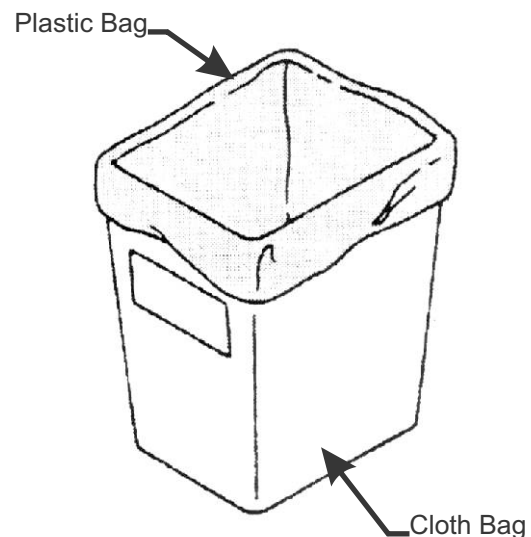
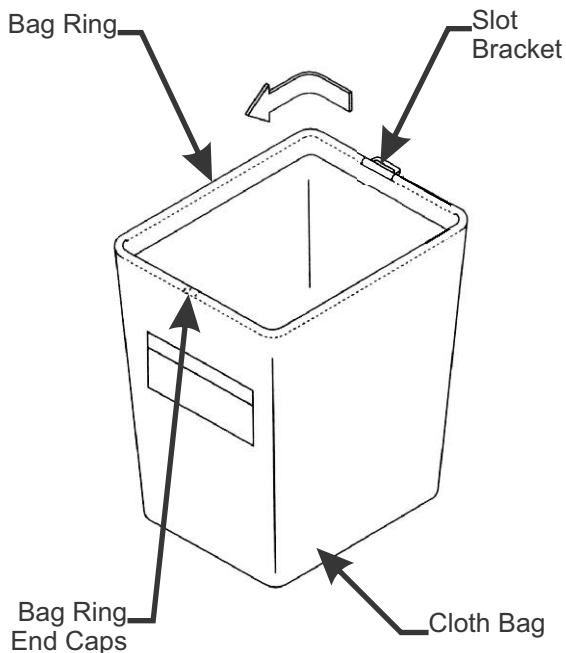


Figure 2-20a



SECTION III OPERATING INSTRUCTIONS

3-1 General Safety

Only qualified people familiar with this operator's manual and the mower's operator's manual should operate this machine.

3-2 Operation And Tips On Mowing

- A. Perform BEFORE EACH USE the maintenance list in paragraph 4-1.
- B. Start mower.
- C. With the mower at high idle speed, engage the mower deck.
- D. While seated in the operator's seat, pull the engagement handle of the PTO assembly towards the operator's seat until the handle slides into position in the retaining slot. With the PTO assembly engaged, you can proceed to operate the control levers of the mower.

NOTE: If the collection system does not appear to be collecting the grass clippings, disengage the deck and PTO assembly (Section 3-3), then, engage the parking brake and turn the mower off. Check upper and lower hoses for any clogs.

To obtain the maximum effectiveness from your collection system, the tips listed below should be followed:

- * Watch your speed- Normal conditions will allow a speed of up to approximately 4 mph, but thick, heavy damp conditions will require reduced ground speed.
- * Mow with sharp blades- A sharp blade cuts cleaner.
- * Wet grass and leaves will decrease effectiveness and will increase horsepower requirements.
- * Mow at higher cutting heights- Remove and mulch no more than 2" of grass length with each mowing. (Experts recommend not cutting off more than 1/3 of the grass blade length at any given time.)
- * Mow twice, at different height settings, (high, then low), if grass is extra tall.
- * Remember that horsepower requirements will vary with the mowing conditions such as type and height of turf grass, moisture content, amount of leaves, whether the terrain is flat or hilly, etc.

3-3 Disengagement Of The PTO Assembly

A. To disengage the PTO assembly, slide the engagement handle out of the retaining slot and push the engagement handle away from the operator's seat.

WARNING: The PTO assembly blades will continue to spin. DO NOT TOUCH the PTO assembly, pulleys, or the belt until the tractor is turned off. DO NOT adjust the belt tension until the mower is turned off. Refer to section 2-4 of the manual.

3-4 Unloading The Collection System

NOTE: To determine when the collection bags are full, follow the following steps:

- A. Stop the forward movement of the mower.
- B. Disengage the mower deck.
- C. Disengage the PTO assembly.
- D. Engage the parking brake.
- E. Once the parking brake has been engaged, then and only then, walk behind the mower and check the collection bags by first unhooking the rubber strap with S hook that secures the plastic top, then lift the plastic hood. Load in bags should not exceed the height of the installed bag.
- F. To remove the bags from the frame slide bags out and turn bags over to deposit clippings.
- G. Slide empty bags back onto the frame and secure plastic top with the rubber strap with 'S' hook.

NOTE: Do not allow collection bags to become over-filled as potential damage may occur to your equipment. Also, be sure to clean the hood screen as needed.

SECTION IV MAINTENANCE

4-1 Maintenance Checklist

Before each use:

1. Check blades and spindles to be sure that no foreign objects, such as wire or steel strapping bands, are wrapped around them.
2. Inspect blades for wear. Replace if necessary. If it is necessary to sharpen the blades, remove the blades from the spindles before sharpening. DO NOT sharpen blades while still attached to the mower.

3. Make sure all shields are in place and in good condition. Repair or replace any missing or damaged shields.
4. Perform lubrication per paragraph 4-2.
5. Listen for abnormal sounds, which might indicate loose parts, damaged bearings, or other damage. Correct any deficiency before continuing operation.
6. With the engine off, engage the blower assembly. Check the belt tension and inspect the pulley belt for cracks or tears.
7. Check for wear or deterioration of the upper or lower hoses. If there are any portions of the hose that have been torn or worn through, replace immediately.

After Each Use:

1. Clean all debris from machine especially from the container, underneath the belt shields, and safety decals. Replace any missing or illegible decals.
2. Inspect the unit for worn or damaged components. Repair or replace before the next use. Any replacement component installed during repair shall include the component's current safety decal specified by the manufacturers to be affixed to the component.
3. Check belt for proper tension.

4-2 Lubrication

NOTE: Use only white lithium based grease for lubrication of the shaft on the blower assembly.

1. On initial use: Grease the fitting on the blower shaft.
2. Every 25 hours of use: Re-grease the grease fitting.
3. Every 200 hours of use: Check oil levels in gear box. Oil in gear box should cover the gears. If not, fill using an EP90 weight oil. 6oz. will fill the gear box from empty.

SECTION V PARTS AND SERVICE

5-1 Parts And Service Information

Collection system owners should record the name and telephone number of their Service Center. Your Service Center will be happy to supply replacement parts, accessories, and do any service or repairs to your collection system. If for any reason your Service Center is unable to service your collection system or supply replacement parts, contact PECO Inc. and include the following information on the chart below.

THE SERIAL NUMBER PLATE
IS LOCATED ON THE TOP
ASSEMBLY P#(A1046)

WRITE THE MODEL AND
SERIAL NUMBER IN THE
BOX TO THE LEFT
FOR FUTURE REFERENCE.

Unit Model Number: _____
Unit Engine Size: _____
Unit Serial Number: _____
Date of purchase: ____/____/____
Dealer/Distributor Name: _____
Address: _____ **State:** _____ **Zip:** _____
Phone Number: _____

PECO Inc.
100 Airport Road | Arden, NC | 28704
Phone: 1-800-438-5823
Fax: (828)684-0858
E-Mail: peco@lawnvac.com

MODEL#: 18031301

MOWER NAME: NEW HOLLAND

MOWER MODEL: G5030

MOWER DECK SIZE: 54"

VAC NAME: 15 CUBIC FOOT PRO BAGGER

PTO DRIVEN

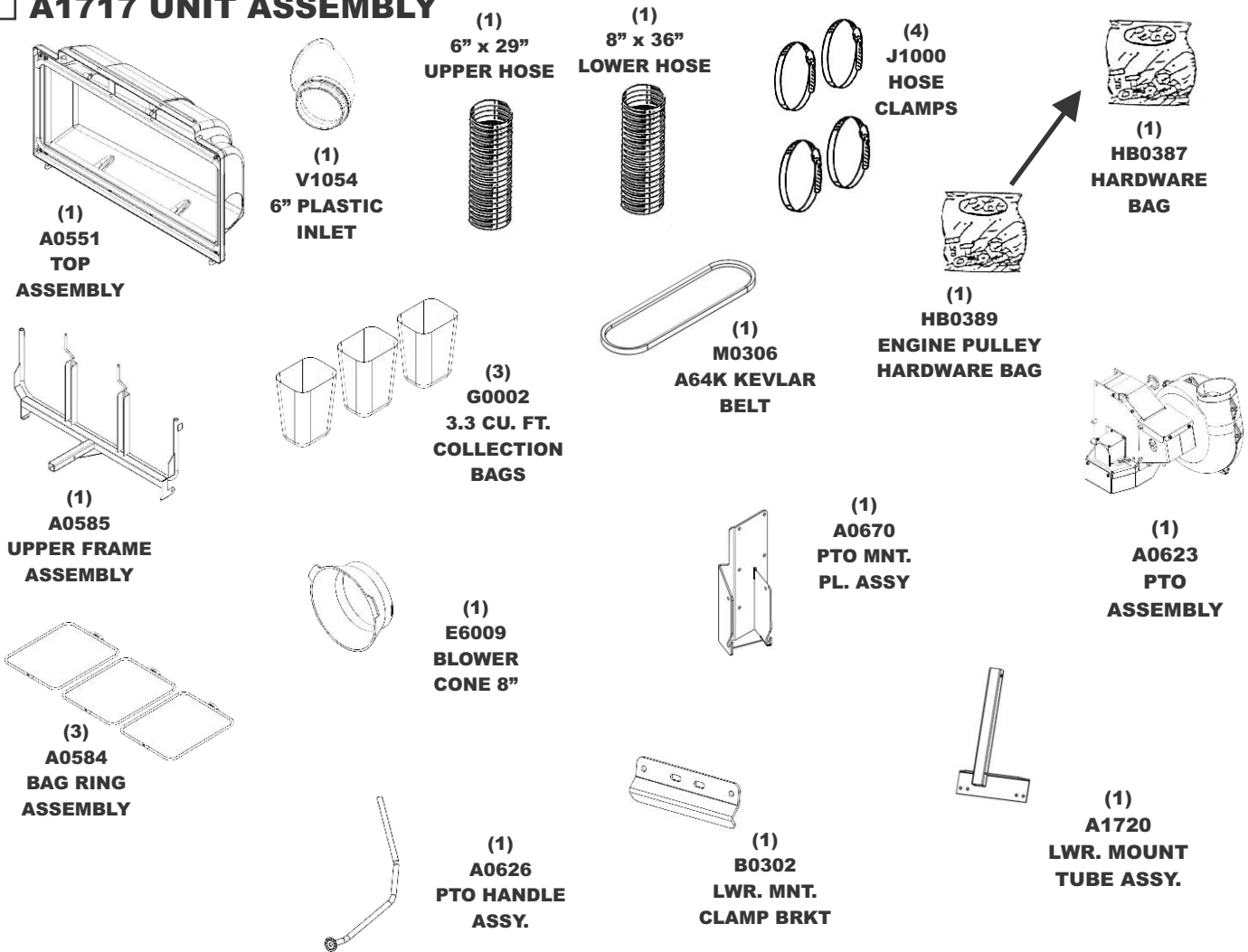
MANUAL #Q0392



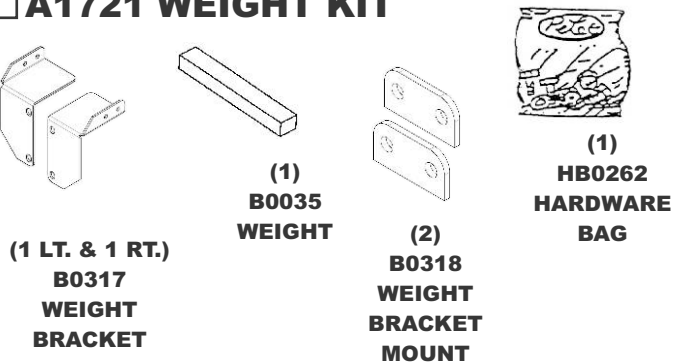
FOR YEAR: 2009

REVISED:

A1717 UNIT ASSEMBLY



A1721 WEIGHT KIT



A1719 54" BOOT KIT



MODEL#: 18031302

MOWER NAME: NEW HOLLAND

MOWER MODEL: G5030

MOWER DECK SIZE: 60" DECKS

VAC NAME: 15 CUBIC FOOT PRO BAGGER

PTO DRIVEN

MANUAL #Q0392



FOR YEAR: 2009

REVISED:

A1717 UNIT ASSEMBLY

(1) A0551 TOP ASSEMBLY

(1) V1054 6" PLASTIC INLET

(1) 6" x 29" UPPER HOSE

(1) 8" x 36" LOWER HOSE

(4) J1000 HOSE CLAMPS

(1) HB0387 HARDWARE BAG

(1) HB0389 ENGINE PULLEY HARDWARE BAG

(1) M0306 A64K KEVLAR BELT

(3) G0002 3.3 CU. FT. COLLECTION BAGS

(1) A0585 UPPER FRAME ASSEMBLY

(1) E6009 BLOWER CONE 8"

(1) A0670 PTO MNT. PL. ASSY

(1) A0623 PTO ASSEMBLY

(3) A0584 BAG RING ASSEMBLY

(1) A0626 PTO HANDLE ASSY.

(1) B0302 LWR. MNT. CLAMP BRKT

(1) A1720 LWR. MOUNT TUBE ASSY.

A1721 WEIGHT KIT

(1 LT. & 1 RT.) B0317 WEIGHT BRACKET

(1) B0035 WEIGHT

(2) B0318 WEIGHT BRACKET MOUNT

(1) HB0262 HARDWARE BAG

A1723 60" BOOT KIT

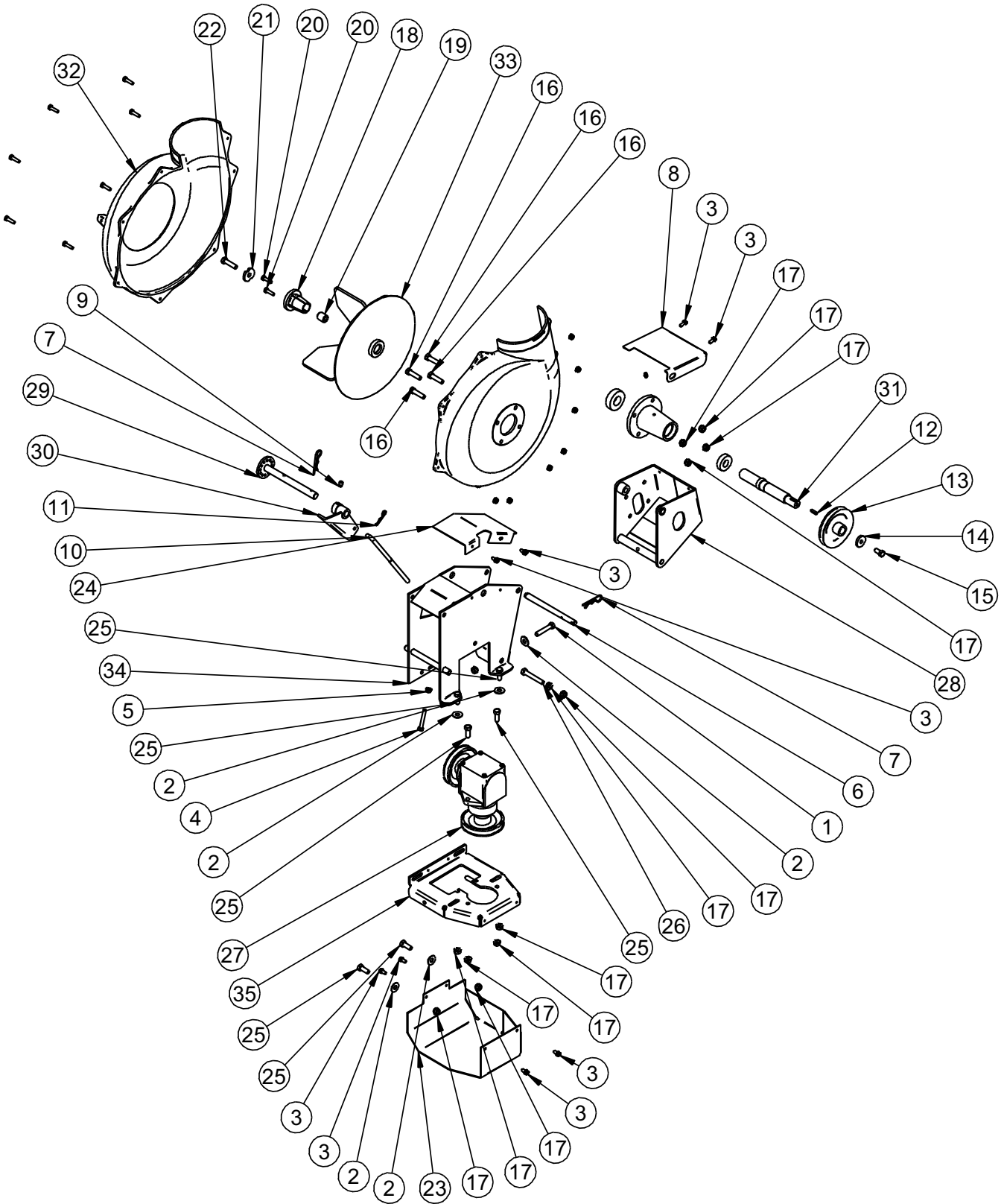
(1) A1718 BOOT PLATE

(1) E0016 BOOT

(1) HB0388 HARDWARE BAG

Exploded Parts View

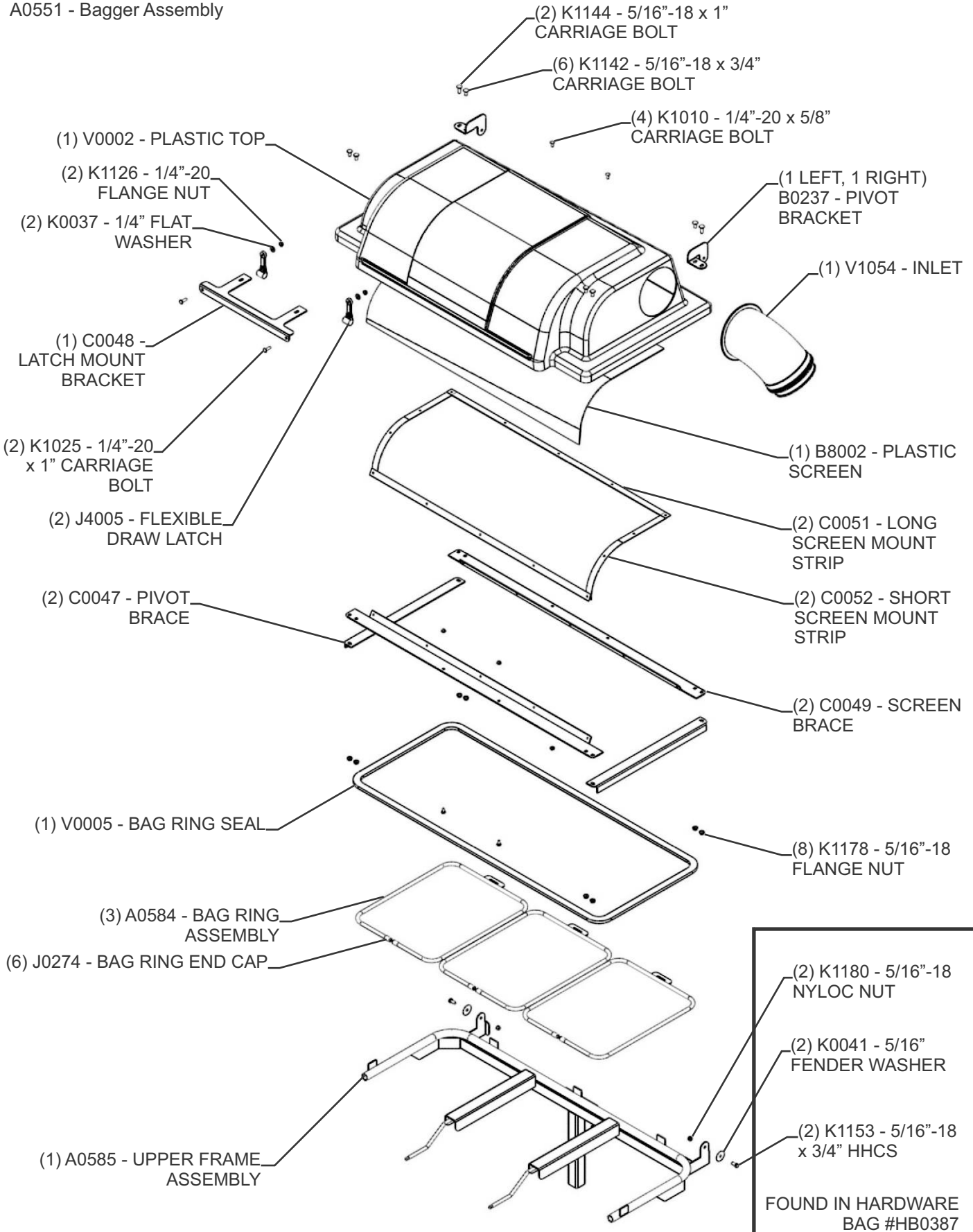
A0623 PTO ASSEMBLY EXPLODED PARTS VIEW



A0623 PTO Parts List

Item Number	Document Number	Title	Quantity
1	K0348	3/8"-16 x 2" ALL THREAD HHCS	1
2	K0047	3/8" FLAT WASHER 1.00 OD x .446 ID x .075 T	5
3	K0353	1/4"-20 x 1/2" HHSTS	8
4	K1159	5/16"-18 x 2" ALL THREAD HHCS	1
5	K1178	5/16"-18 FLANGE NUT	1
6	B1755	BLOWER PIVOT ROD	1
7	K0086	.125 OD x 2.50 HAIR PIN CLIP	2
8	B0121	BLOWER BELT GUARD	1
9	K0356	3/8"-16 TAPERED SET SCREW	1
10	K0326	BELT TENSION ROD 3/8"-16	1
11	K0130	.091 OD x 1.625 L HAIR PIN CLIP	1
12	J0254	3/16" SQ. x 3/4" LONG KEYWAY	1
13	M0228	BLOWER PULLEY	1
14	K1446	1.187 OD x .380 ID x .187 WASHER	1
15	K1190	3/8"-16 x 3/4" HHCS	1
16	K1193	3/8"-16 x 1-1/2" HHCS	4
17	K1215	3/8"-16 FLANGE NUT	12
18	S4302	TAPER-LOCK BUSHING	1
19	S3242	PLATED BUSHING	1
20	K1225	1/4"-20 X 1" HHCS GRADE 8	2
21	K0278	TAPER-LOCK BUSHING WASHER	1
22	K1211	3/8"-16 x 1-1/2" HHCS GRADE 8	1
23	B0269	GEAR BOX PULLEY GUARD	1
24	B0270	PTO ARM GUARD	1
25	K1191	3/8"-16 x 1" HHCS	6
26	K1197	3/8"-16 X 2 1/2" HHCS	1
27	A0429	GEAR BOX ASSEMBLY	1
28	A0144	BLOWER MOUNT BRACKET ASSEMBLY	1
29	A0604	PTO HANDLE MOUNT ASSY	1
30	A0422	CAM BRACKET ASSEMBLY	1
31	A0306	PTO SHAFT ASSEMBLY	1
32	E4004A	BLOWER HSG. ASSY.	1
33	A0645	SMALL 4-BLADE IMPELLER	1
34	A0622	PTO ARM ASSY.	1
35	A0624	BASE PLATE ASSY.	1

Exploded View Of The
A0551 - Bagger Assembly



SAFETY DECALS

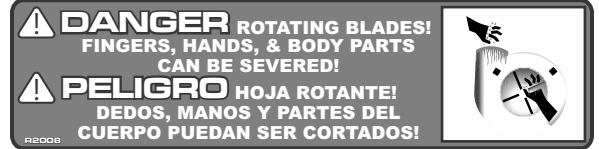
To promote safe operation, PECO Inc. supplies safety decals on all products manufactured. Damage can occur to safety decals either through shipment, use or reconditioning. Contact your local Service Center for replacement decals.



Part #: R1070
PECO Label



Part #: R2007
Never Use Hands Label



Part #: R2008
Rotating Blades Label



Part #: R1100
Engage-Disengage Label



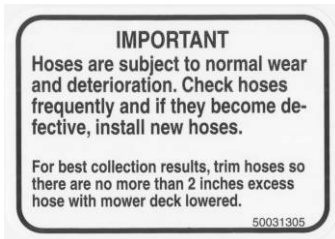
Part #: R4037
Warning: Hot Surface Label



Part #: R1052
Small Warning: Turn Off Blower Label



Part #: R1065
Made In America Label



Part #: R1054
Important Label



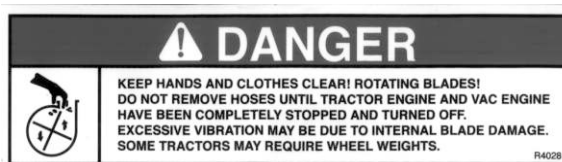
Part #: R1069
Warning: Turn Off Blower Label



Part #: R1051
Warning: Hearing Protection Label



Part #: R4015
Danger: Rotating Blades Label



Part #: R4028
Danger Keep Hands & Clothes Clear Label

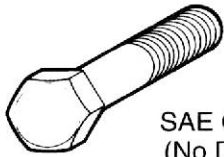


Part #: R4008
Caution: Rotating Blades Label

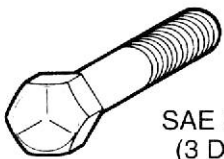
TORQUE SPECIFICATIONS

AMERICAN Bolt Head Markings

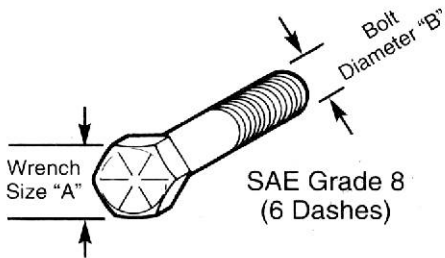
Recommended Torque in Foot Pounds (Newton Meters).*



SAE Grade 2
(No Dashes)



SAE Grade 5
(3 Dashes)

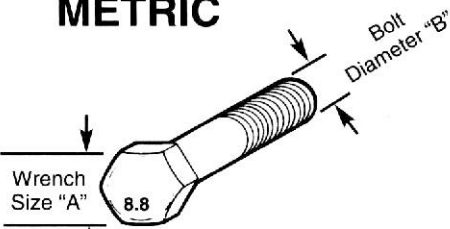


SAE Grade 8
(6 Dashes)

WRENCH SIZE (IN.) "A"	BOLT DIAMETER (IN.) "B" AND THREAD SIZE	SAE GRADE 2	SAE GRADE 5	SAE GRADE 8
7/16	1/4 - 20 UNC	6 (7)	8 (11)	12 (16)
7/16	1/4 - 28 UNF	6 (8)	10 (13)	14 (18)
1/2	5/16 - 18 UNC	11 (15)	17 (23)	25 (33)
1/2	5/16 - 24 UNF	13 (17)	19 (26)	27 (37)
9/16	3/8 - 16 UNC	20 (27)	31 (42)	44 (60)
9/16	3/8 - 24 UNF	23 (31)	35 (47)	49 (66)
5/8	7/16 - 14 UNC	32 (43)	49 (66)	70 (95)
5/8	7/16 - 20 UNF	36 (49)	55 (75)	78 (106)
3/4	1/2 - 13 UNC	49 (66)	76 (103)	106 (144)
3/4	1/2 - 20 UNF	55 (75)	85 (115)	120 (163)
7/8	9/16 - 12 UNC	70 (95)	109 (148)	153 (207)
7/8	9/16 - 18 UNF	79 (107)	122 (165)	172 (233)
15/16	5/8 - 11 UNC	97 (131)	150 (203)	212 (287)
15/16	5/8 - 18 UNF	110 (149)	170 (230)	240 (325)
1-1/8	3/4 - 10 UNC	144 (195)	266 (360)	376 (509)
1-1/8	3/4 - 16 UNF	192 (260)	297 (402)	420 (569)
1-5/16	7/8 - 9 UNC	166 (225)	430 (583)	606 (821)
1-5/16	7/8 - 14 UNF	184 (249)	474 (642)	668 (905)
1-1/2	1 - 8 UNC	250 (339)	644 (873)	909 (1232)
1-1/2	1 - 12 UNF	274 (371)	705 (955)	995 (1348)
1-1/2	1 - 14 UNF	280 (379)	721 (977)	1019 (1381)
1-11/16	1-1/8 - 7 UNC	354 (480)	795 (1077)	1288(1745)
1-11/16	1-1/8 - 12 UNF	397 (538)	890 (1206)	1444 (1957)
1-7/8	1-1/4 - 7 UNC	500 (678)	1120 (1518)	1817 (2462)
1-7/8	1-1/4 - 12 UNF	553 (749)	1241 (1682)	2013 (2728)
2-1/16	1-3/8 - 6 UNC	655 (887)	1470 (1992)	2382 (3228)
2-1/16	1-3/8 - 12 UNF	746 (1011)	1672 (2266)	2712 (3675)
2-1/4	1-1/2 - 6 UNC	870 (1179)	1950 (2642)	3161 (4283)
2-1/4	1-1/2 - 12 UNF	979 (1327)	2194 (2973)	3557 (4820)

METRIC

Recommended torque in foot pounds (newton Meters).*



Numbers appearing on bolt heads indicate ASTM class.

WRENCH SIZE (mm) "A"	BOLT DIA. (mm) "B"	ASTM 4.6	ASTM 8.8	ASTM 9.8	ASTM 10.9
8	5	1.8 (2.4)		5.1 (6.9)	6.5 (8.8)
10	6	3 (4)		8.7 (12)	11.1 (15)
13	8	7.3 (10)		21.1 (29)	27 (37)
16	10	14.5 (20)		42 (57)	53 (72)
18	12	25 (34)	74 (100)	73 (99)	93 (126)
21	14	40 (54)	118 (160)	116 (157)	148 (201)
24	16	62 (84)	167 (226)	181 (245)	230 (312)
30	20	122 (165)	325 (440)		449 (608)
33	22		443 (600)		611 (828)
36	24	211 (286)	563 (763)		778 (1054)
41	27		821 (1112)		1138 (1542)
46	30	418 (566)	1119 (1516)		1547 (2096)

*Use 75% of the specified torque value for plated fasteners. Use 85% of the specified torque values for lubricated fasteners.



**100 AIRPORT ROAD
ARDEN, NORTH CAROLINA 28704
(800) 438-5823 OR (828) 684-1234 FAX: (828) 684-0858
EMAIL: peco@lawnvac.com
WEBSITE: www.lawnvac.com**