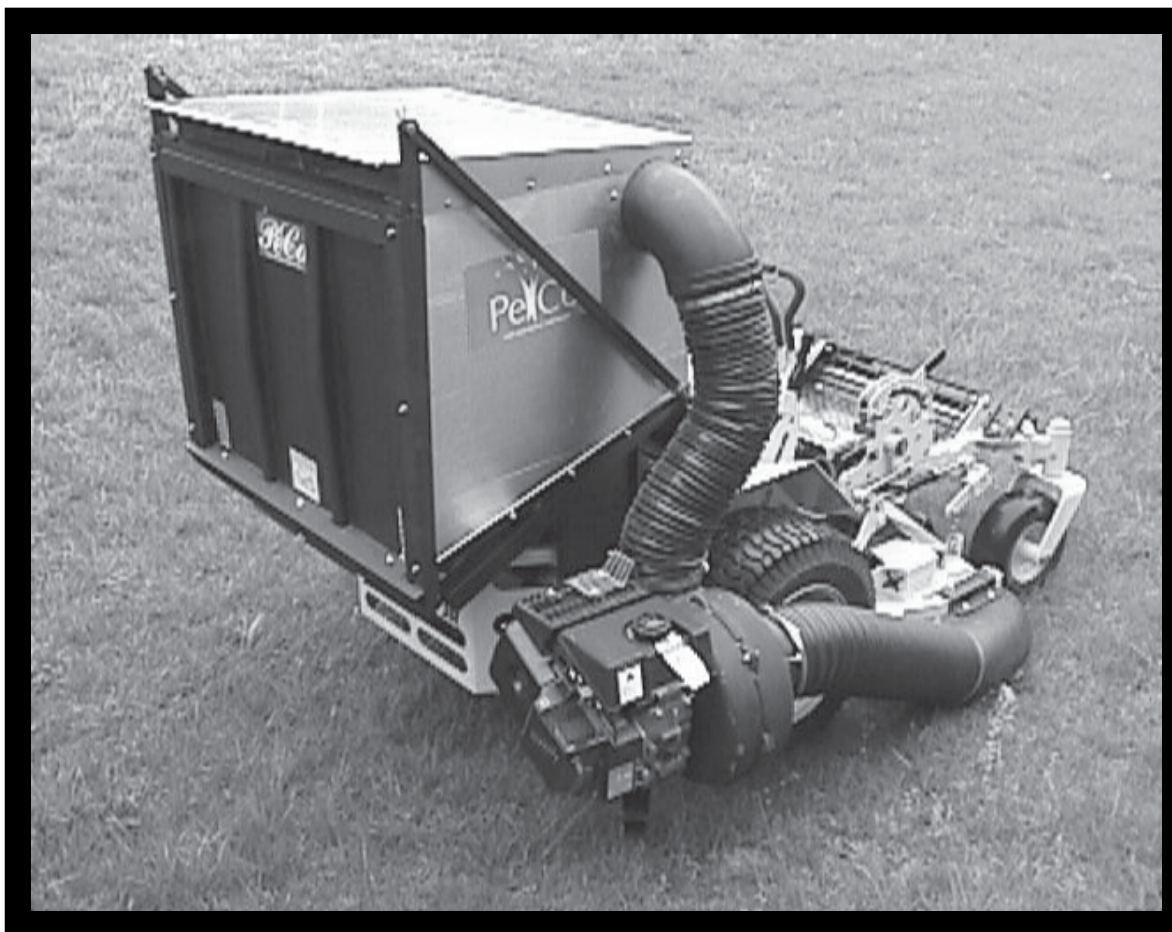


**MODEL 39621207 - 08**

**PECO**

**PECO OWNERS MANUAL**  
**FOR A GREAT DANE CHARIOT UNIT**  
(MODEL #GDRZ61-26KHE)

(REVISED: 08/22/02)



**CONGRATULATIONS AND THANK YOU FOR BUYING THIS PECO LAWN VACUUM.**

*Your new PECO Vac has been engineered and manufactured to PECO's high standards for safety, quality, dependability, and ease of operations.*

**SAVE THIS MANUAL FOR FUTURE REFERENCE**

## PeCo Limited Warranty for New Products

### A. WHAT IS WARRANTED?

PeCo extends the following warranties to the original purchaser of each new PeCo consumer product subject to the following limitations.

#### 1. PRODUCT WARRANTY.

Any part of any consumer product, which is defective in material or workmanship as delivered to the purchaser will be repaired or replaced, as PeCo elects, without charge for parts or labor, if the defect appears within 12 months from the date of delivery of the product to the original purchaser. **ALL DEFECTIVE PARTS MUST BE RETURNED TO PeCo FOR INSPECTION TO DETERMINE VALIDITY OF WARRANTY CLAIMS.** Freight and mailing charges will be borne by the customer.

#### 2. PARTS REPLACED DURING WARRANTY.

Any new PeCo part which is furnished in performance of this warranty and is defective in material or workmanship as delivered to the purchaser will be repaired or replaced, as PeCo elects, without charge if the defect appears within 90 days from the date of installation of such part or before the expiration of the original warranty period, whichever is later.

### B. SECURING WARRANTY ADJUSTMENTS

Damaged or broken parts other than engines or batteries, must be returned to PeCo, Inc., P.O. Box 1197, Arden, NC 28704 before any warranty adjustment can be authorized. At the time of requesting warranty adjustment, the purchaser must present evidence of the date of delivery of the product. The purchaser shall pay any charge for transporting the product to and from Arden, NC.

### C. ITEMS NOT COVERED BY PeCo WARRANTY.

Engines and batteries attached to PeCo products are covered under a separate warranty by the respective manufacturer.

### D. UNAPPROVED ALTERATION OR MODIFICATION.

All obligations of PeCo, Inc. under this warranty shall be terminated if products are altered or modified in ways not approved by PeCo, Inc.

### E. ACCIDENTS AND NORMAL MAINTENANCE.

The warranty covers only defective material and workmanship. It does not cover depreciation or damage caused by normal wear, accident, improper use or abuse of products. The cost of normal maintenance and normal replacement of service items such as belts, cutting blades, hoses, etc., which are not defective shall be paid for by the purchaser.

### F. NO REPRESENTATIONS ADDITIONAL WARRANTIES, DISCLAIMER.

Neither PeCo, Inc. nor any company affiliated with it makes any warranties, representations or promises as to the quality of performance of its products other than those set forth herein. Except as described above, PeCo, Inc. makes no other warranties **AND SPECIFICALLY DISCLAIMS ANY AND ALL IMPLIED WARRANTIES OF FITNESS AND MERCHANTABILITY.**

### G. ANY MACHINE USED FOR RENTAL OR COMMERCIAL PURPOSES ARE GUARANTEED FOR 45 DAYS FROM DATE OF ORIGINAL SALE ONLY.

### H. REMEDIED EXCLUSIVE.

The only remedies the purchaser has in connection with the breach or performance of any warranty on PeCo, Inc. consumer products are set forth above. In no event will PeCo be liable for special incidental or consequential damages.

### I. NO SERVICE CENTER WARRANTY.

The selling Service Center makes no warranty on his own on any item warranted by PeCo, Inc. unless he delivers to purchaser a separate written warranty certificate specifically warranting the item. The dealer has no authority to make any representation or promise on behalf of PeCo or to modify the terms of limitations of this warranty in any way.

## Outdoor Power Equipment Institute Recommendations

### **WARNING TO PURCHASERS OF INTERNAL COMBUSTION ENGINE EQUIPPED MACHINERY OR DEVICES IN THE STATE OF CALIFORNIA:**

The equipment which you have purchased does not have a spark arrester muffler. If this equipment is to be used on any forest covered and brush covered land or grass covered unimproved land in the state of California, the law requires that a spark arrester muffler be installed and be in effective working order. The spark arrester must be attached to the exhaust system and comply with Section 4442 of the California Public Resources Code.

1. Read the owner's manual carefully and familiarize yourself with the proper use of your attachment. Do not allow anyone who is not acquainted with the Safety Instructions to use your attachment.
2. Know the controls and how to stop quickly. **READ THE OWNER'S MANUAL!**
3. Do not allow children to operate the vehicle. Do not allow adults to operate it without proper instruction.
4. Be especially watchful of children and pets darting into the area while operating.
5. Keep your eyes and mind on your tractor while mowing or operating your attachment. Don't let others distract you.
6. Do not attempt to operate your tractor or mower when not in the driver's seat.
7. Always stop Vac engine when emptying the container.
8. Stop tractor and vac engines and remove spark plug wire before removing or replacing hose, boot, blower cone or performing any maintenance.
9. Mow up and down the face of slopes (not steeper than 10 degrees); never across the face of the slope.
10. It is recommended that the container be kept only half full when negotiating any slopes. Start mowing on slopes when the container is empty.
11. Inspect your lawn and remove any foreign objects before mowing. Never deliberately run mower across any foreign object.
12. Wear ear protection if noise level is offensive.

### **WARNING!**

**NEVER** operate the mower unless the discharge guard and either the deflector assembly or the vacuum collector adapter are fastened securely in place.

### **WARNING!**

To avoid serious injury, perform maintenance on the vacuum collector **ONLY AFTER STOPPING THE TRACTOR ENGINE AND WAITING FOR ALL MOVING PARTS TO COME TO A COMPLETE STOP.** Set the parking brake. Always remove the ignition key before beginning the maintenance

### **WARNING!**

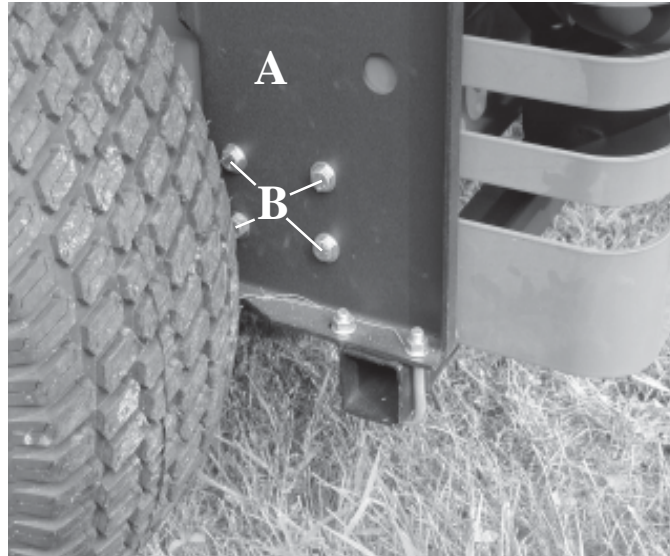
Do not work around the mower deck boot or the blower area until you are certain that the mower blades and the blower fan have stopped rotating.

### **WARNING!**

For your personal safety, **ALWAYS** mow **UP** and **DOWN** the face of slopes and **NEVER** across the face. **NEVER** attempt to mow excessively steep slopes and use caution when turning on any slope.

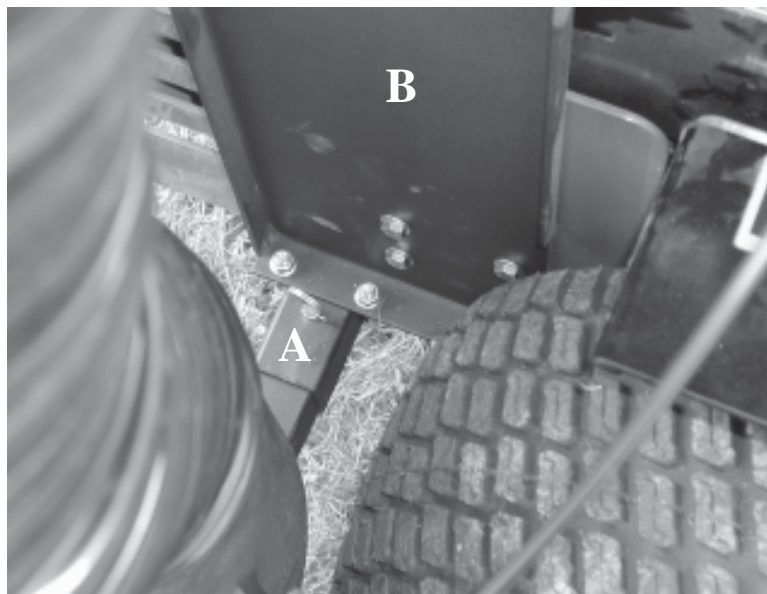
## **STEP 1:**

Place the left main frame side leg (A) onto the rear sides of the mower. Secure the left main frame side leg (A) to the rear of the mower using the mower's preexisting bolts (B). After the left main frame side leg is secure follow the same instructions to mount the right main frame side leg. Use the picture below for more detail.



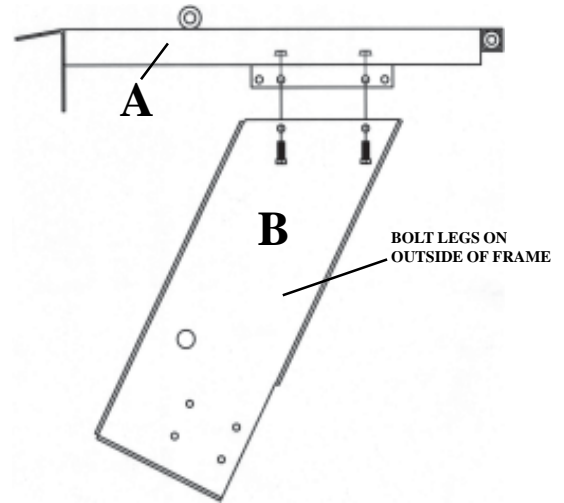
## **STEP 2:**

Place the outer motor mount tube (A) underneath the left & right main frame side legs (B). Secure the outer motor mount tube (A) to the left & right main frame side legs (B) by using (2) 3/8"-16 u-bolts (PN#K1119) and (4) 3/8"-16 flange nuts (PN#K1215). Use the picture below for more detail.



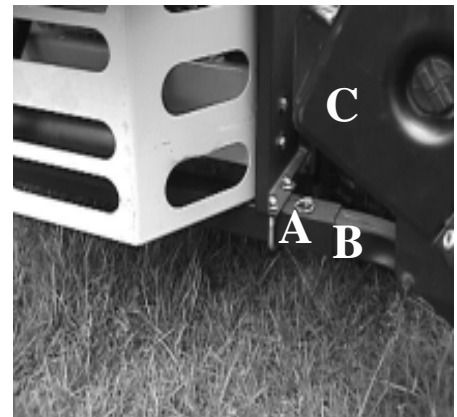
## STEP 3:

Place the top frame assembly (A) onto the left and right main frame side legs (B). Secure the top frame assembly (A) using (4) 3/8"-16 x 1" hex bolts (PN#K1191) (2 per side) & (4) 3/8-16 flange nuts (PN#K1215) (2 per side). Use the diagram to the right for more detail.



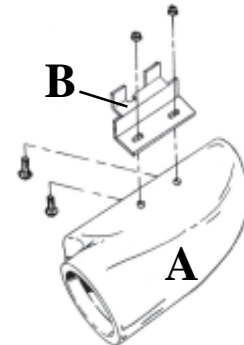
## STEP 4:

On the right end of the outer motor mount tube (A) slide the motor mount arm assembly (B) in. Secure using (1) detent pin (PN#J0248). Next place the engine (C) onto the motor mount arm assembly (A). Secure the engine (C) to the motor mount arm assembly (B) by using (4) 5/16"-18 x 1-1/2" hex bolts (PN#K1157) and (4) 5/16"-18 flange nuts (PN#K1178). Use the picture to the right for more detail.



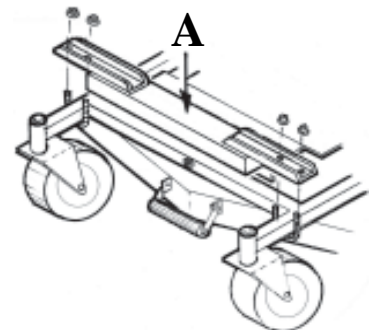
## STEP 5:

Secure the boot (A) to the boot plate (B) by using (2) 3/8"-16 x 2" carriage bolts (PN#K1184) and (2) 3/8"-16 flange nuts. Slide and hook the boot & boot plate to the deck. Use the picture to the right for more detail.



## STEP 6:

Mount the left & right weight brackets (A) to the mower using (2) 3/8"-16 u-bolts (PN#K1432) and (4) 3/8"-16 flange nuts (PN#K1215). Using a floor jack secure the weight brackets (A) to the weight (B) using (4) 1/2"-13 u-bolts (PN#K0331) (2 per side) and (8) 1/2"-13 flange nuts (PN#K1246). Use the picture to the right for more detail.



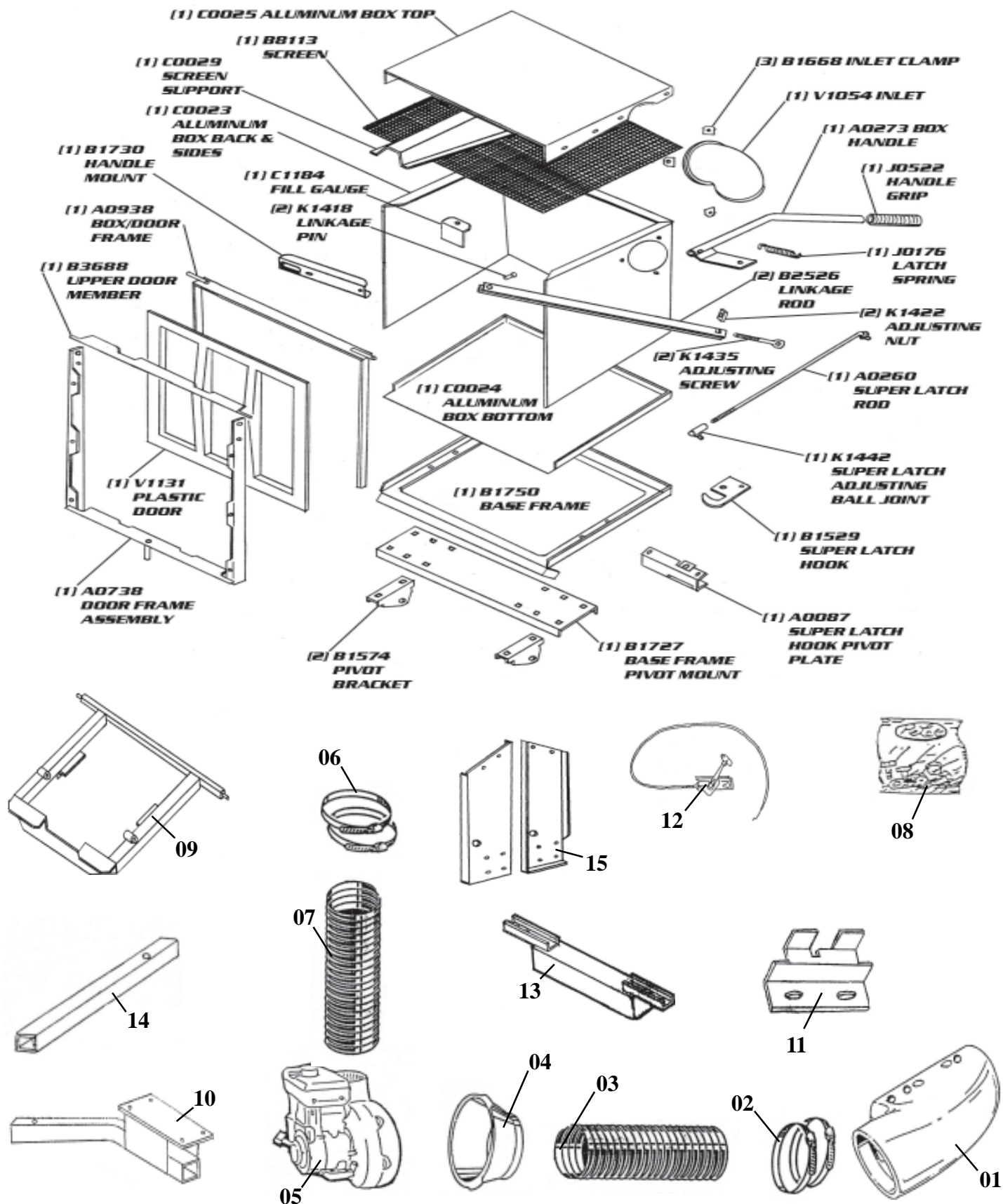
# PARTS LIST



REF. NO.	PART NO.	DESCRIPTION	QTY.
01	E1036 OR E1042	BOOT (52" DECK)	1
02	J6006	BOOT (61" DECK)	1
03	*****	7"-8" HOSE CLAMPS	2
	OR *****	7" x 36" LOWER HOSE (52" DECK)	1
04	E6004 OR E6009	8" x 36" LOWER HOSE (61" DECK)	1
05	A602 OR A638	7" BLOWER CONE (52" DECK)	1
06	J6011	8" BLOWER CONE (61" DECK)	1
07	*****	5.5HP/BLOWER/BLADE ASSEMBLY	1
08	#HB0117	6HP/BLOWER/BLADE ASSEMBLY	1
09	A0413	5"-6" HOSE CLAMPS	2
10	A0971	6" x 38" UPPER HOSE	1
11	B3805	HARDWARE BAG	1
12	A0060 OR A0294	TOP FRAME ASSEMBLY	1
13	A0907	MOTOR MOUNT ARM ASSEMBLY	1
14	B3727	BOOT PLATE	1
15	B0064	SHORT THROTTLE KIT ASSEMBLY (5.5HP)	1
		LONG THROTTLE KIT ASSEMBLY (6HP)	1
		WEIGHT ASSEMBLY	1
		OUTER MOTOR MOUNT TUBE	1
		LEFT & RIGHT SIDE LEGS	2



# PARTS DIAGRAM



MODEL 39621207 - 08

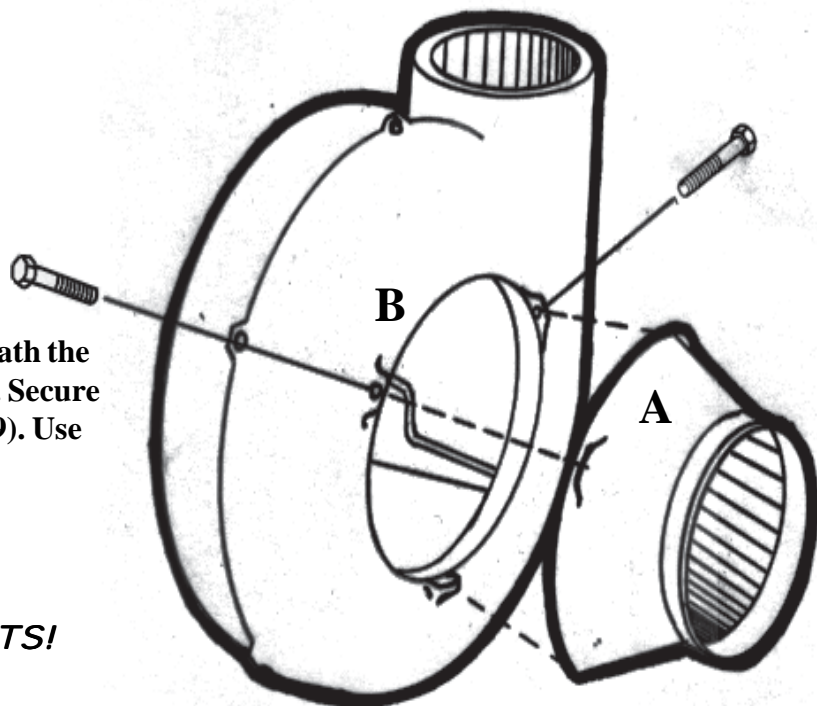
GREAT DANE CHARIOT

PECO 5

## STEP 7:

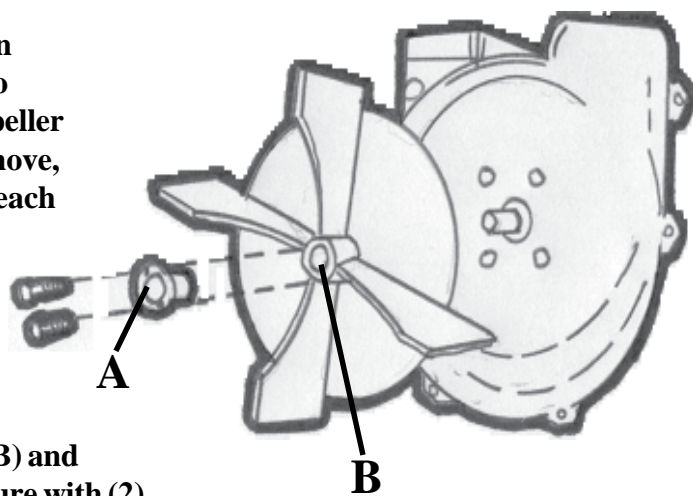
The ears of the cone (A) should fit underneath the two threaded bosses on the blowerface (B). Secure with (2) 5/16"-18 x 2" hex bolts (PN#K1159). Use the diagram to the right for more detail.

**TIGHTEN ALL NUTS AND BOLTS!**



## IMPELLER BLADE REPLACEMENT

**TO REMOVE:** First remove hex bolts from hub, then screw the bolts into threaded holes to remove old blade. (This will push impeller off the hub.) If the impeller will not move, hit the base of the impeller between each vein with a hammer, then try again.

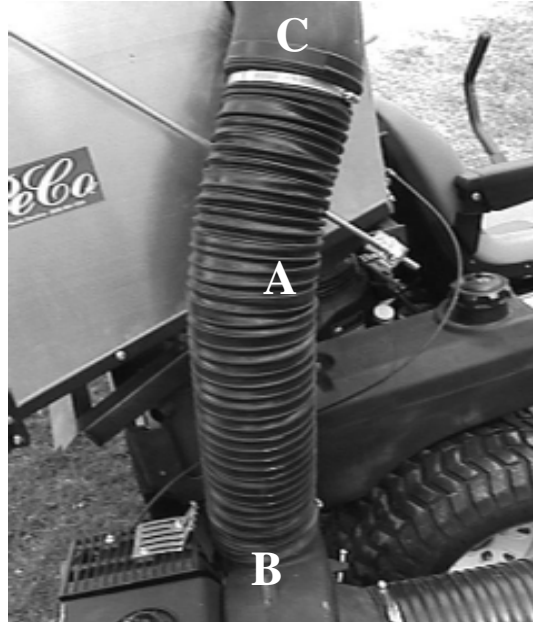


**TO REPLACE:** Place tapered bushing (A) into hub (B) and align non-threaded holes in hub. Secure with (2) 1/4" x 1" hex bolts. Torque to 15 ft. lbs.



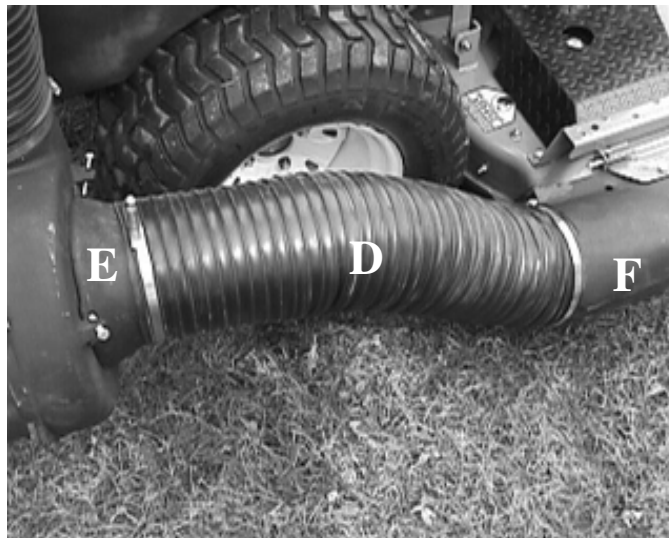
## **STEP 8:**

Place the hose clamps over each end of the 6" hose (A). Attach one end of the hose onto the blower housing (B). Attach the free end of the hose over the inlet (C). Tighten the hose clamps. Use the picture below for more detail.



## **STEP 9:**

Place the hose clamps over each end of the lower hose (D). Attach one end of the hose over the blower cone (E). Slide the free end of the hose over the boot (F) and tighten the hose clamps. Use the picture below for more detail.



**TIGHTEN THE HOSE CLAMPS BEFORE EACH USE!**

Your PeCO Lawn Vac was designed and built to provide years of service with only minor care. Certain tasks however must be performed to keep it in good operating condition and to avoid costly repairs. This section describes and provides procedures for the necessary care of the Lawn Vac.

SCHEDULED CARE	CARE REQUIRED
Before Each Use	Check engine oil. Check all hose connections.
After Each Use	Clean Collector Box, hoses and engine of all grass and dirt.
Every 10 Hours	Check to be sure all screws, nuts, bolts, pins, etc. are present and secure.

## Storage

Never store your PeCo Lawn Vac with a full or partially filled container; decaying grass and leaves may constitute a fire hazard if left too long. Never leave your vac exposed to the elements. While the metal parts are protected with a quality paint, the engine and other unprotected parts may deteriorate if left exposed to rain or snow.

## Emptying The Lawn Vac

When the container becomes full, the blower tone will change. In order to empty the container - Release the back door by moving the dump handle on the left hand side of the container. Release the door, push back on the container and the debris falls out. When empty, pull the box forward; move the dump handle in to properly close the rear door.

## Service

PeCo Lawn Vac Owners should record the name and telephone number of their Service Center. Your Service Center will be happy to supply replacement parts, and accessories as well as perform necessary service or repairs to your lawn vac. If for some reason your Service Center is unable to service your lawn vac or supply replacement parts, contact PeCo and include the following information:

Tractor Model: _____	Year of Mfg. _____
_____	
Deck Size: _____	
PeCo Vac Model: _____	
Vac Serial Number: _____	
Date of Purchase: ____ / ____ / ____	
Service Center's Name: _____	
Service Center's City: _____	State: _____ Zip: _____
Service Center's Phone Number: _____	

## Diagnostic Procedures

Trouble shooting procedures are provided in the chart below. To use these procedures, first locate the problem below that best describes the trouble you have encountered. Check the possible causes in the list one at a time. Correct any problems that are found and operate the vacuum collector again to verify that you have eliminated the problem.

**DO NOT** attempt any major repairs without first contacting your dealer.

PROBLEM	CAUSE	SOLUTION
Leaves and Grass not being picked up completely	<ol style="list-style-type: none"><li>1. Engine speed too slow</li><li>2. Ground speed too fast</li><li>3. Hose plugged</li></ol>	<ol style="list-style-type: none"><li>A. Run at full throttle.</li><li>B. Use lower gear.</li><li>C. Check and tighten all hoses.</li><li>D. Unplug hose.</li></ol>
Hoses plug easily	<ol style="list-style-type: none"><li>1. Grass or leaves too wet</li><li>2. Grass too high</li><li>3. Container full</li><li>4. Grass buildup in boot or under mower deck</li></ol>	<ol style="list-style-type: none"><li>A. Wait for drier conditions.</li><li>B. Reduce ground speed/raise deck.</li><li>C. Empty container.</li><li>D. Clean thoroughly.</li></ol>
Vacuum Collector blower vibrates excessively	<ol style="list-style-type: none"><li>1. Buildup on blower blades</li><li>2. Bent or chipped blade</li></ol>	<ol style="list-style-type: none"><li>A. Remove cone and clean blades.</li><li>B. Contact your dealer or PeCo.</li></ol>
Unit fails to fill box	<ol style="list-style-type: none"><li>1. Engine speed too slow.</li><li>2. Buildup on inlet or screen</li><li>3. Grass is too wet or long</li></ol>	<ol style="list-style-type: none"><li>A. Run at full throttle.</li><li>B. Clean thoroughly.</li><li>C. Wait for dryer conditions.</li></ol>

The Serial Number Plate is located on the aluminum box near the dump handle.

OUTDOOR POWER EQUIPMENT	
Model Number	<input type="text"/>
Serial Number	<input type="text"/>
Arden, North Carolina 28704	



**P.O BOX 1197  
ARDEN, NORTH CAROLINA 28704  
1-800-438-5823 OR (828) 684-1234 FAX-(828) 684-0858  
E-MAIL: PECOINC1@BELLSOUTH.NET**