

MODEL#: 21031205

MOWER NAME: CUB CADET

MOWER MODEL: TANK W/ 23HP KW

MOWER DECK SIZE: 48", 54", & 60"

VAC NAME: 12 CUBIC FOOT PRO BAGGER

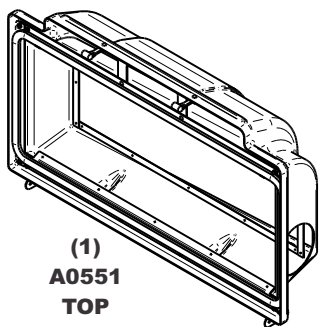
PTO DRIVEN

A1787 UNIT ASSEMBLY



FOR YEAR: 2010

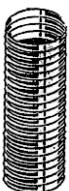
REVISED:



(1)
A0551
TOP
ASSEMBLY



(1)
V1054
6" PLASTIC
INLET



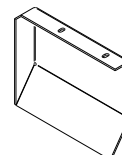
(1)
F0004
7" x 35"
LOWER
HOSE



(1)
F0001
6" x 21"
UPPER
HOSE



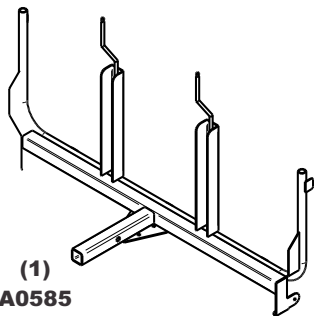
(4)
J1000
2" - 10"
HOSE
CLAMPS



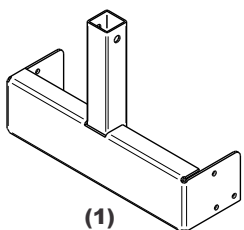
(1)
C0058
EXHAUST
DEFLECTOR



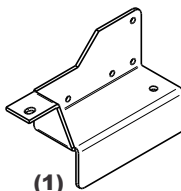
(1)
HB0425
HARDWARE
BAG



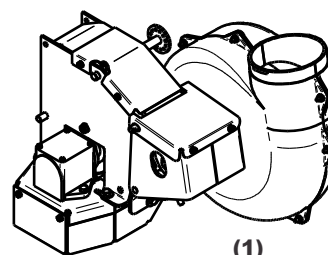
(1)
A0585
UPPER FRAME
ASSEMBLY



(1)
A0848
LWR. MNT
ASSY.



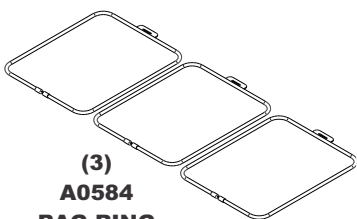
(1)
B0395
LT. LWR.
MOUNT PL.



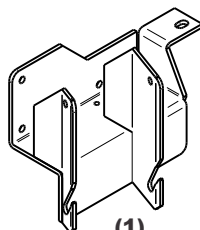
(1)
A0623
PTO
ASSEMBLY



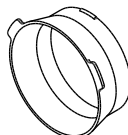
(1)
HB0426
ENGINE
PULLEY
HARDWARE
BAG



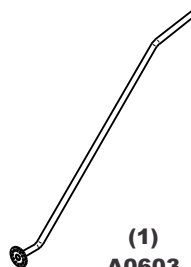
(3)
A0584
BAG RING
ASSEMBLY



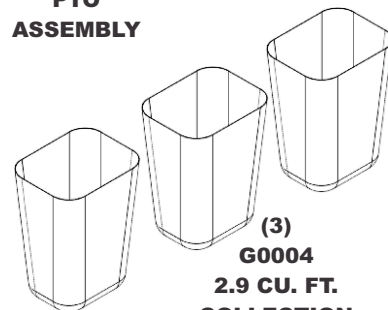
(1)
A0846
PTO MOUNT
PLATE ASSY.



(1)
E6004
7" BLOWER
CONE

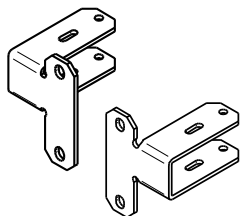


(1)
A0603
PTO HANDLE
ASSY.



(3)
G0004
2.9 CU. FT.
COLLECTION
BAGS

A1784 - WEIGHT KIT



(1 LEFT)
(1 RIGHT)
B0383
WEIGHT
BKRT.



(1)
HB0421
HARDWARE
BAG

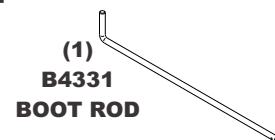


(1)
B2220
WEIGHT BAR

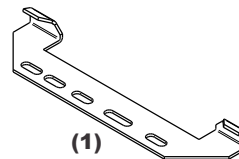
A0690 - BOOT KIT



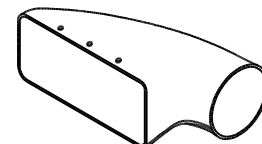
(1)
HB0078
HARDWARE
BAG



(1)
B4331
BOOT ROD



(1)
B2555
BOOT
PLATE



(1)
E1031
BOOT