

MODEL#: 21131201

MOWER NAME: CUB CADET

MOWER MODEL: TANK W/ 23HP & 25HP KW

MOWER DECK SIZE: 48", 54", & 60"

VAC NAME: 12 CUBIC FOOT PRO BAGGER

PTO DRIVEN

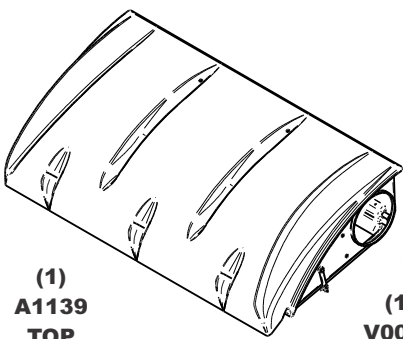
BOM0308



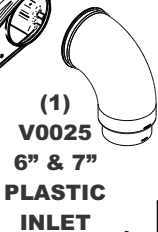
FOR YEAR: 2006 - 2008

REVISED:

A0688 UNIT ASSEMBLY



(1)
**A1139
TOP
ASSY.**



(1)
**V0025
6" & 7"
PLASTIC
INLET**



(1)
**7" x 35"
LOWER
HOSE**



(1)
**6" x 21"
UPPER
HOSE**



(4)
**J1000
2" - 10"
HOSE
CLAMPS**



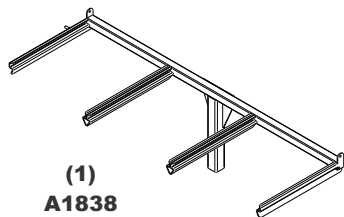
(1)
**C0058
EXHAUST
DEFLECTOR**



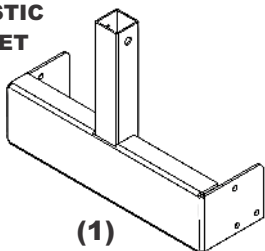
(1)
**HB0321
HARDWARE
BAG**



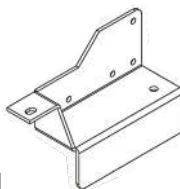
(1)
**HB0315
ENGINE
PULLEY
HARDWARE
BAG**



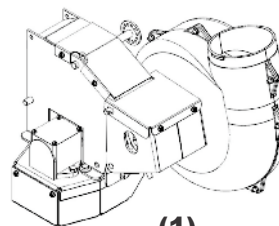
(1)
**A1838
UPPER FRAME
ASSEMBLY**



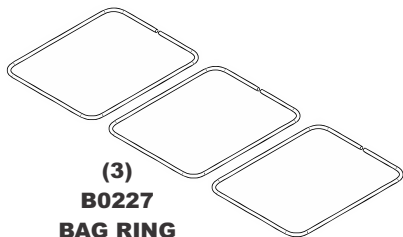
(1)
**A0848
LWR. MNT
ASSY.**



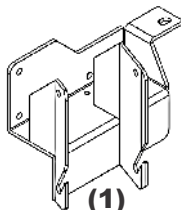
(1)
**B0395
LT. LWR.
MOUNT PL.**



(1)
**A0623
PTO
ASSEMBLY**



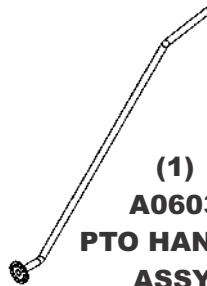
(3)
**B0227
BAG RING**



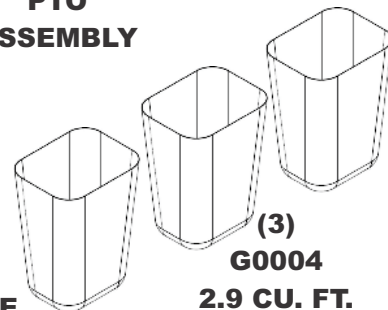
(1)
**A0846
PTO MOUNT
PLATE ASSY.**



(1)
**E6004
7" BLOWER
CONE**



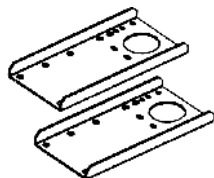
(1)
**A0603
PTO HANDLE
ASSY.**



(3)
**G0004
2.9 CU. FT.
COLLECTION
BAGS**

A0689 - WEIGHT KIT

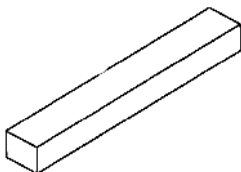
(2)
**B0026
WEIGHT
BRACKETS**



(1)
**HB0314
HARDWARE
BAG**



(1)
**B2220
WEIGHT**



A0690 - BOOT KIT

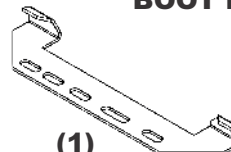
(1)
**HB0078
HARDWARE
BAG**



(1)
**B4331
BOOT ROD**



(1)
**B2555
BOOT
PLATE**



(1)
**E1031
BOOT**

