

MODEL#: 23621206

MOWER NAME: BOB-CAT

MOWER MODEL: ZT-200 SERIES, PREDATOR PRO

MOWER DECK SIZE: 52" & 61" DECK

VAC NAME: 12 CUBIC FOOT BOX



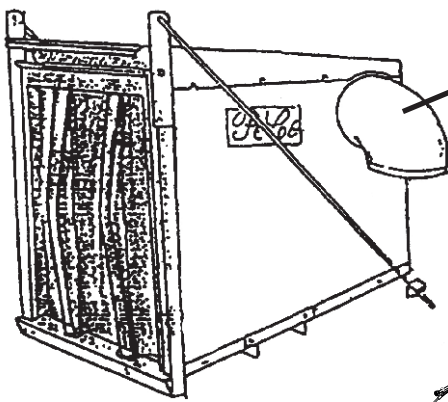
FOR YEAR: 2006 & BELOW

REVISED: 04/26/06

WAS:

236212-PTO-03

A0521 12 PTO UNIT ASSEMBLY



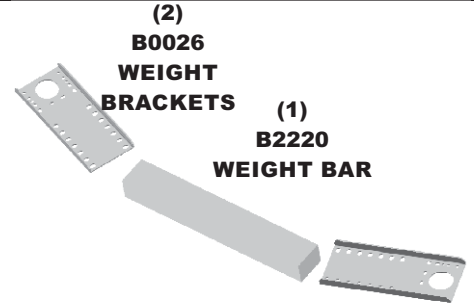
(1)
V1054
6" PLASTIC
INLET



(1)
6" x 35"
UPPER
HOSE



(1)
8" x 40"
LOWER
HOSE



(2)
B0026
WEIGHT
BRACKETS
(1)
B2220
WEIGHT BAR

A0275
UNIVERSAL
WEIGHT KIT

(1)
A0794
12 CU. FT. BOX
ASSY.



(2)
J0060
6" HOSE
CLAMPS



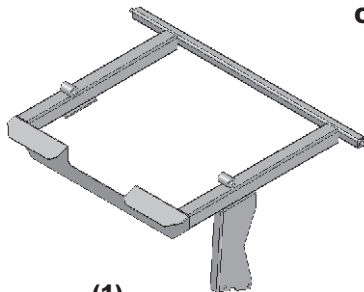
(2)
J0080
8" HOSE
CLAMPS



(1)
#HB0157
HARDWARE
BAG



(1)
E6009
8" BLOWER
CONE



(1)
A0438
TOP
MAIN FRAME
ASSY.



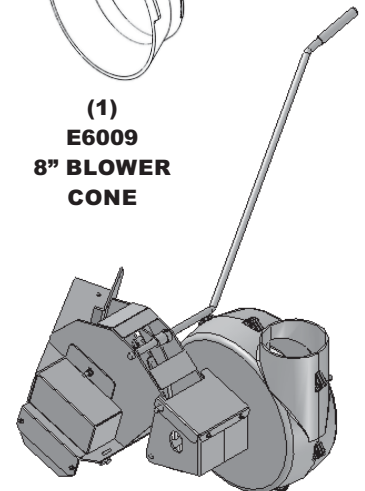
(1)
A0273
BOX HANDLE



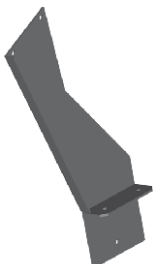
(1)
B0276
AIR CLEANER
MOUNT BRACE



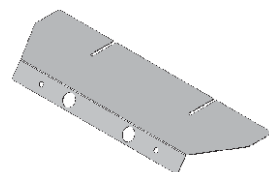
(1)
B0275
AIR CLEANER
MOUNT PLATE



(1)
A0739
PTO ASSEMBLY



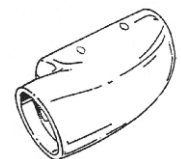
(1)
A0437 LEFT
LOWER MAIN FRAME
LEG ASSEMBLY



(1)
C0011
HEAT GUARD



(1)
B0079
BOOT PLATE



(1)
E1030
BOOT