

# MODEL#: 37621215

**MOWER NAME: SCAG TURF TIGER**

**MOWER MODEL: SEE BACK OF PAGE**

**MOWER DECK SIZE: (61" DECK)**

**VAC NAME: 12 CUBIC FOOT BOX**

**ENG: 900 SER. BR (9.00 GROSS TORQUE / 205 cc)**

**NOTE:**

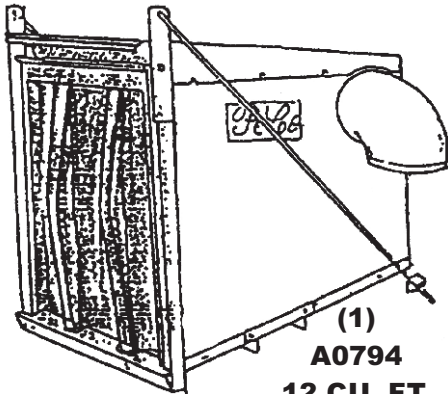


**FOR YEAR: 2004-2002**

**REVISED: 5/9/2012**

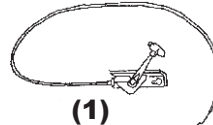
**WAS**

**376212-TT-61-02**



(1)  
**A0794**  
**12 CU. FT.**  
**BOX ASSY.**

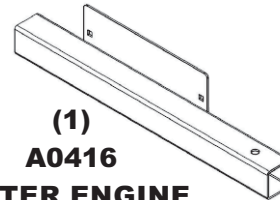
(1)  
**V1054**  
**6"**  
**PLASTIC**  
**INLET**



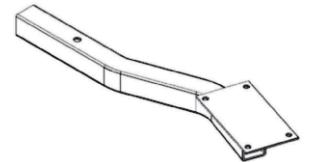
(1)  
**A0060**  
**SHORT THROTTLE**  
**KIT FOR (900 SERIES)**



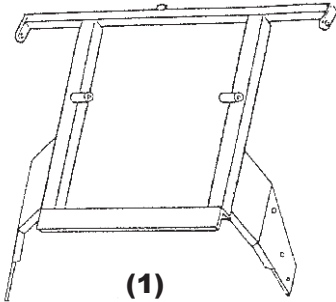
(1)  
**#HB0137**  
**HARDWARE**  
**BAG**



(1)  
**A0416**  
**OUTER ENGINE**  
**MOUNT ASSY.**

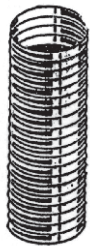


(1)  
**A0019**  
**ENGINE MOUNT**  
**ARM ASSY.**



(1)  
**A0923**  
**MAIN**  
**FRAME**  
**ASSY.**

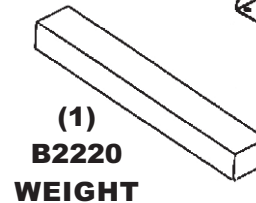
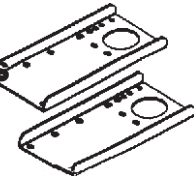
(1)  
**6" x 39"**  
**UPPER**  
**HOSE**



(1)  
**8" x 48"**  
**LOWER**  
**HOSE**



(2)  
**B0026**  
**WEIGHT**  
**BRACKETS**

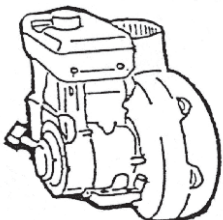


(1)  
**B2220**  
**WEIGHT**

(1)  
**B1546**  
**BOOT**  
**PLATE**



(1)  
**ENGINE/**  
**BLOWER/**  
**BLADE ASSY.**



(1)  
**E6009**  
**8" BLOWER**  
**CONE**

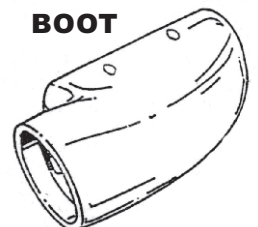


(2)  
**J0060**  
**6" Hose**  
**Clamps**



(2)  
**J0080**  
**8" Hose**  
**Clamps**

(1)  
**E1124**  
**BOOT**



## **2004**

STT61A-27CH  
STT61A-27KA

## **2003**

STT61A-25CH  
STT61A-27CH  
STT61A-27KA

## **2002**

STT61A-23KA  
STT61A-25CH  
STT61A-27KA

## **2001**