

# MODEL#: 37621213

MOWER NAME: SCAG TURF TIGER

MOWER MODEL: SEE BACK OF PAGE

MOWER DECK SIZE: (52" DECK)

VAC NAME: 12 CUBIC FOOT BOX

ENG: 900 SER. BR (9.00 GROSS TORQUE / 205 cc)

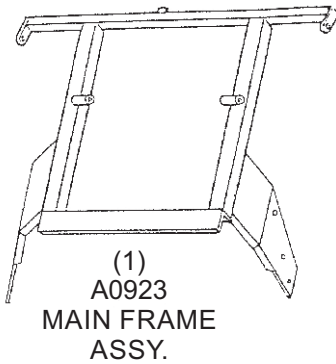
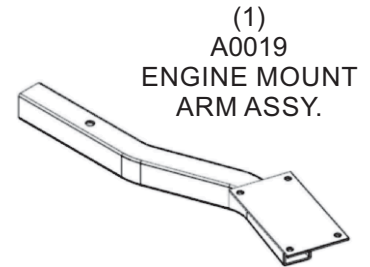
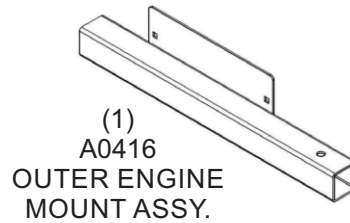
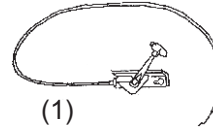
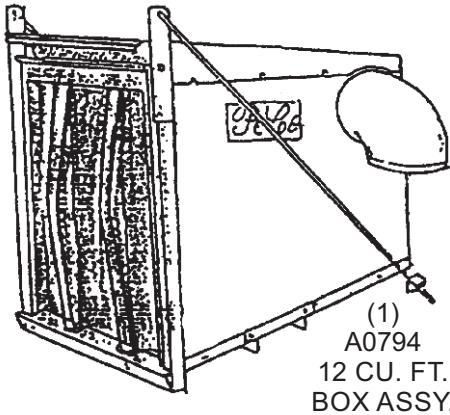
NOTE:



FOR YEAR: 2004-2002

REVISED: 5/9/2012

WAS  
376212-TT-52-02



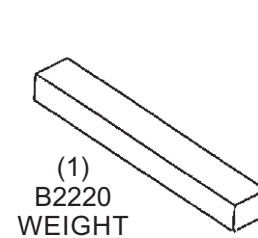
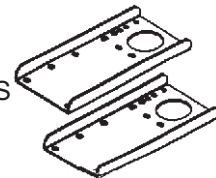
(1)  
6" x 39"  
UPPER  
HOSE



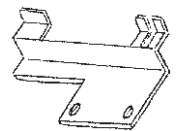
(1)  
7" x 48"  
LOWER  
HOSE



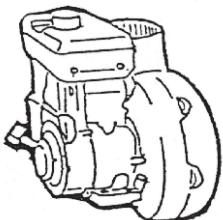
(2)  
B0026  
WEIGHT  
BRACKETS



(1)  
B1546  
BOOT  
PLATE



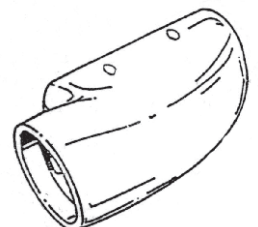
(1)  
ENGINE/  
BLOWER/  
BLADE ASSY.



(1)  
E6004  
7" BLOWER  
CONE



(1)  
E1103  
BOOT



2004

STT52A-23KA  
STT52A-27CH

2003

STT52A-23KA  
STT52A-25CH  
STT52A-27CH

2002

STT52A-25CH

2001