

MODEL#: 37621201

MOWER NAME: SCAG TURF TIGER

MOWER MODEL: STT52-22KA, STT52-23CH, STT52-25CH

MOWER DECK SIZE: 52" DECK

VAC NAME: 12 CUBIC FOOT BOX

ENG: 900 SER. BR (9.00 GROSS TORQUE / 205 cc)

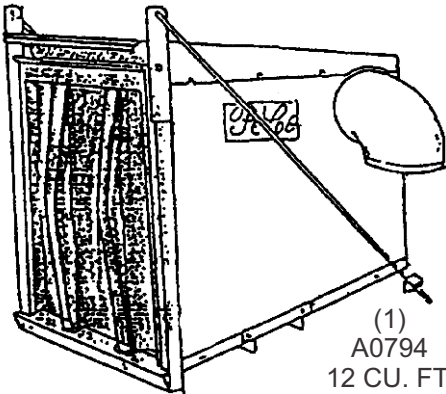
NOTE:



FOR YEAR: 2001 & BELOW

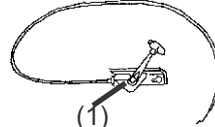
REVISED: 5/9/2012

WAS
376212-01



(1)
A0794
12 CU. FT.
BOX ASSY.

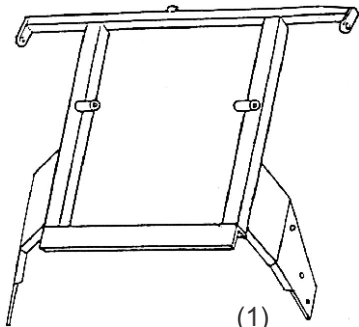
(1)
V1054
6" PLASTIC
INLET



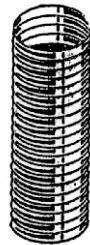
(1)
A0060
SHORT THROTTLE KIT
FOR (900 SERIES)



(1)
#A08217
HARDWARE
BAG



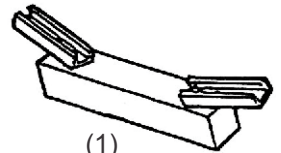
(1)
A0923
MAIN FRAME
ASSY.



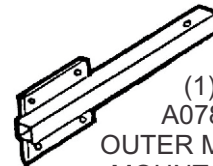
(1)
6" x 39"
UPPER
HOSE



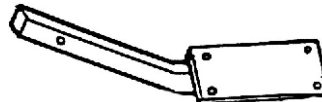
(1)
7" x 42"
LOWER
HOSE



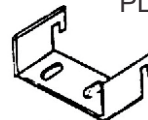
(1)
A0931
WEIGHT
ASSY.



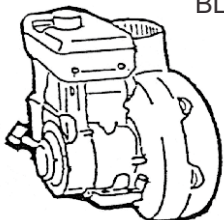
(1)
A0785
OUTER MOTOR
MOUNT ASSY.



(1)
A0751
MOTOR MOUNT
ARM ASSY.



(1)
B3749
BOOT
PLATE



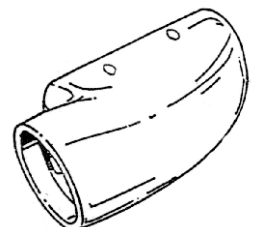
(1)
ENGINE/
BLOWER/
BLADE ASSY.



(1)
E6004
7" BLOWER
CONE



(2)
J6006
7" - 8"
HOSE CLAMPS



(1)
E1031
BOOT