

# MODEL#: 35621205

MOWER NAME: EXMARK LAZER Z HP

MOWER MODEL: LZHP48 & LZHP52

MOWER DECK SIZE: (48" & 52" DECKS)

VAC NAME: 12 CUBIC FOOT BOX

ENG: 900 SER. BR (9.00 GROSS TORQUE / 205 cc)

**NOTE:**

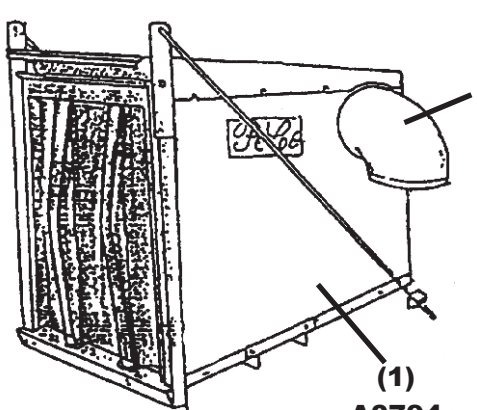


FOR YEAR: 2001-1999

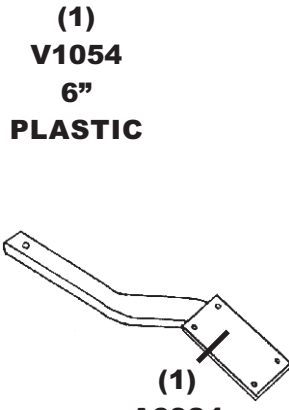
REVISED: 5/8/2012

WAS

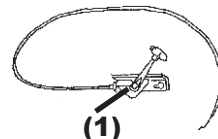
356212-HP-01



(1)  
A0794  
12 CU. FT.  
BOX ASSY.



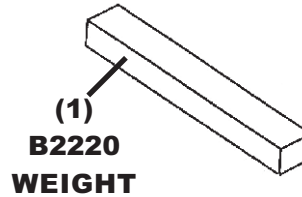
(1)  
A0984  
MOTOR MOUNT  
ARM ASSY.



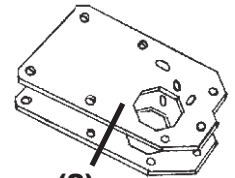
(1)  
A0060  
THROTTLE CABLE  
KIT (70")



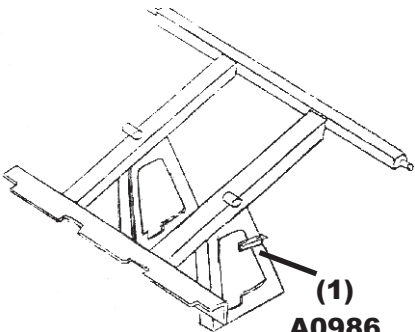
(1)  
#HB0018  
HARDWARE  
BAG



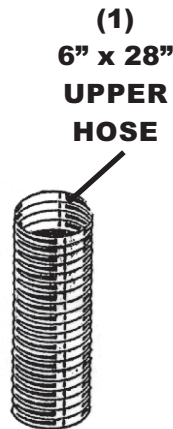
(1)  
B2220  
WEIGHT



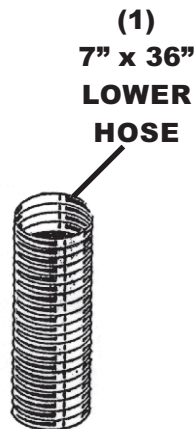
(2)  
B0039  
WEIGHT  
BRACKETS



(1)  
A0986  
MAIN FRAME  
ASSY.



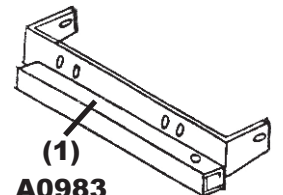
(1)  
6" x 28"  
UPPER  
HOSE



(1)  
7" x 36"  
LOWER  
HOSE



(1)  
B3396  
BOOT  
PLATE



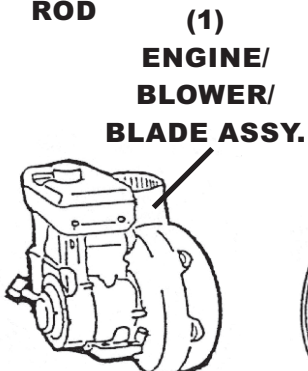
(1)  
A0983  
MOUNT  
PLATE ASSY.



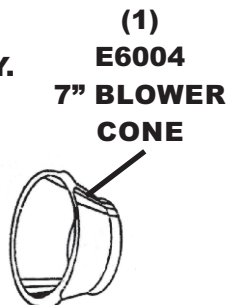
(1)  
B4331  
BOOT  
ROD



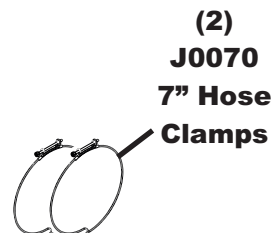
(2)  
J0060  
6" Hose  
Clamps



(1)  
ENGINE/  
BLOWER/  
BLADE ASSY.



(1)  
E6004  
7" BLOWER  
CONE



(2)  
J0070  
7" Hose  
Clamps



(1)  
E2406  
BOOT