

MODEL#: 06621222

MOWER NAME: JOHN DEERE

MOWER MODEL: 737 & 757 W/ ROPS

MOWER DECK SIZE: 54"

VAC NAME: 12 CUBIC FOOT BOX

ENG: 900 SER. BR (9.00 GROSS TORQUE / 205 cc)

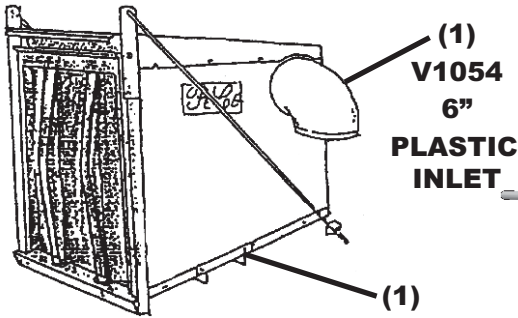
BILL OF MATERIALS: BOM0257



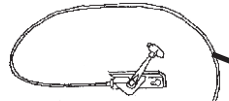
FOR YEAR: 2007 - 2005

REVISED: 5/9/2012

A0587 - UNIT ASSEMBLY



(1)
V1054
6"
PLASTIC
INLET



(1)
A0060
THROTTLE
CABLE KIT (70")



(1)
#HB0219
HARDWARE
BAG

(1)
A0794
12 CU. FT.
BOX ASSY.

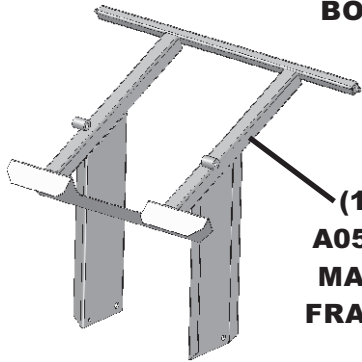
(1)
A0273
BOX
HANDLE



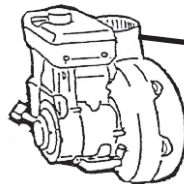
(1)
6" x 38"
UPPER
HOSE



(1)
8" x 44"
LOWER
HOSE



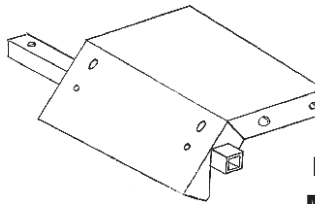
(1)
A0547
MAIN
FRAME



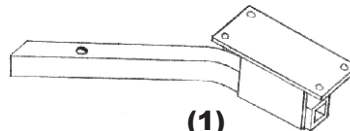
(1)
ENGINE/
BLOWER/
BLADE ASSY.



(1)
E6009
8" BLOWER
CONE



(1)
A0383
MAIN FRAME
MOUNT ASSY.



(1)
A0393
MOTOR MOUNT
ARM ASSY.



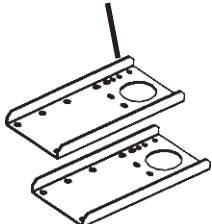
(2)
J0060
6" Hose
Clamps



(2)
J0080
8" Hose
Clamps

A0586 - WEIGHT KIT

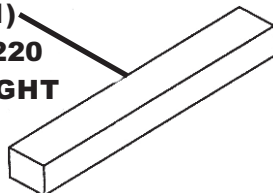
(2)
B0026
WEIGHT
BRACKETS



(1)
#HB0136
HARDWARE
BAG

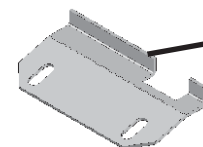


(1)
B2220
WEIGHT



A0552 - 54" BOOT KIT

(1)
#HB0218
HARDWARE
BAG



(1)
B0001
BOOT
PLATE

(1)
E1113
BOOT

