

**MODEL#: 06621205**

**MOWER NAME: JOHN DEERE**

**MOWER MODEL: M665**

**MOWER DECK SIZE: (60" 7-IRON DECK)**

**VAC NAME: 12 CUBIC FOOT BOX**

**ENG: 900 SER. BR (9.00 GROSS TORQUE / 205 cc)**

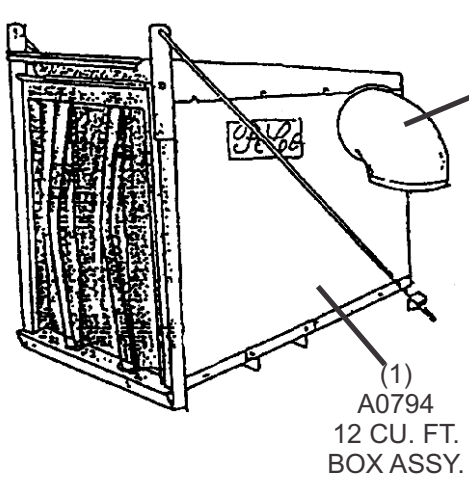
**NOTE:**



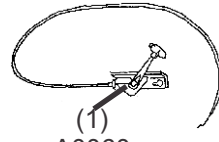
**FOR YEAR: 2000 & BELOW**

**REVISED: 5/9/2012**

**WAS  
066212-M665-01**



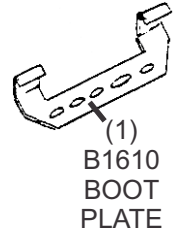
(1)  
V1054  
6" PLASTIC  
INLET



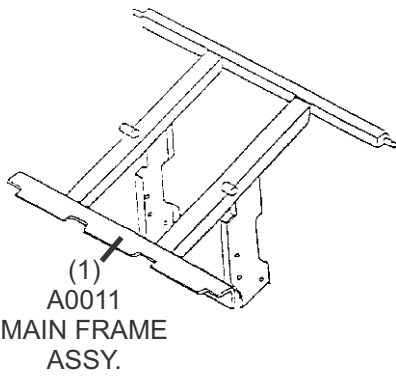
(1)  
A0060  
SHORT THROTTLE KIT  
FOR (900 SERIES)



(1)  
#HB0014  
HARDWARE  
BAG

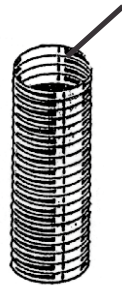


(1)  
B1610  
BOOT  
PLATE



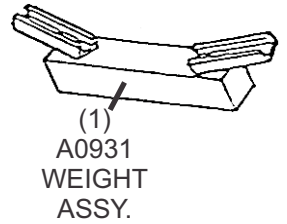
(1)  
A0011  
MAIN FRAME  
ASSY.

(1)  
6" x 32"  
UPPER  
HOSE

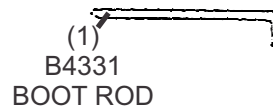


(1)  
B1117  
OUTER MOTOR  
MOUNT TUBE

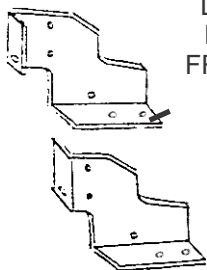
(1)  
8" x 40"  
LOWER  
HOSE



(1)  
A0931  
WEIGHT  
ASSY.

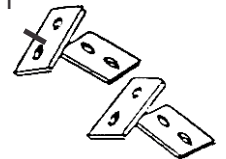


(1)  
B4331  
BOOT ROD

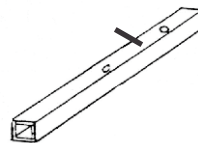
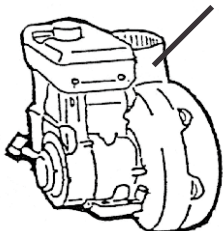


(2)  
B2580  
LEFT & RIGHT  
LOWER MAIN  
FRAME BRACES

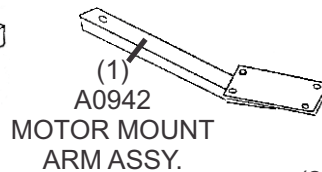
(4)  
B2583  
MOTOR MOUNT  
BRACKETS



(1)  
ENGINE/  
BLOWER/  
BLADE ASSY.



(1)  
E6009  
8" BLOWER  
CONE



(1)  
A0942  
MOTOR MOUNT  
ARM ASSY.

(2)  
J6006  
7" - 8"  
HOSE CLAMPS



(1)  
E1113  
BOOT

