

MODEL#: 23621201

MOWER NAME: BOB-CAT

MOWER MODEL: ZT-200 SERIES, PREDATOR PRO

MOWER DECK SIZE: 48", 52", & 61" DECK

VAC NAME: 12 CUBIC FOOT BOX

☐ ENG: 900 SER. BR (9.00 GROSS TORQUE / 205 cc)



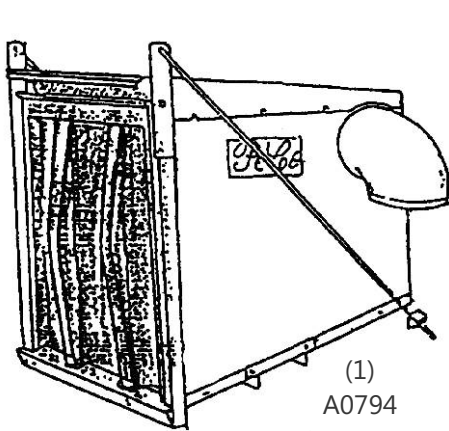
FOR YEAR: 2005 & BELOW

REVISED: 5/7/2012

WAS:

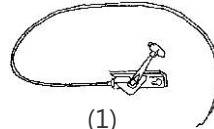
236212-ZT200-03

NOTE: 218 ES HAS A SEPARATE PACK DRAWING

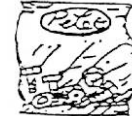


(1)
A0794
12 CU. FT.
BOX ASSY.

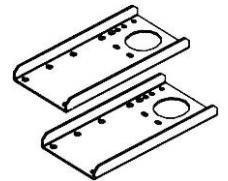
(1)
V1054
6" PLASTIC
INLET



(1)
A0060
THROTTLE CABLE
KIT (70")

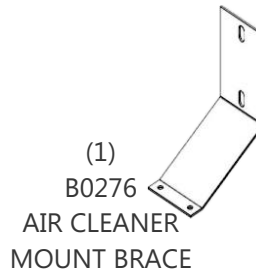


(1)
#HB0118
HARDWARE
BAG



(2)
B0026
WEIGHT
BRACKETS
(WEIGHT KIT
ASSY. # A0275)

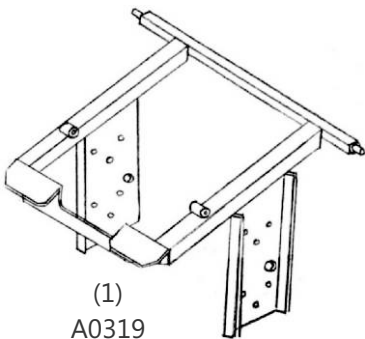
(1)
6" x 32"
UPPER
HOSE



(1)
B0276
AIR CLEANER
MOUNT BRACE



(1)
B0275
AIR CLEANER
MOUNT PLATE



(1)
A0319
MAIN FRAME
ASSY.

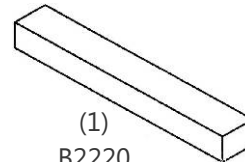


(1)
E6009
8" BLOWER
CONE

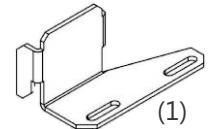
(1)
8" x 48"
LOWER
HOSE



(2)
B0046
LEFT & RIGHT
LOWER MAIN
FRAME BRACKETS



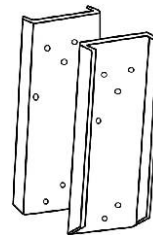
(1)
B2220
WEIGHT
(WEIGHT KIT
ASSY. # A0275)



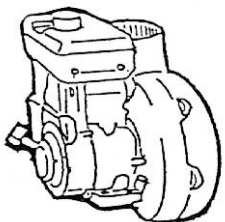
(1)
B0079
BOOT
PLATE



(1)
B0047
REAR MOUNT
PLATE



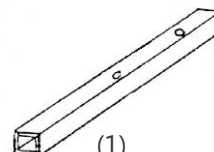
(1)
A0318
MOTOR MOUNT
ARM ASSY.



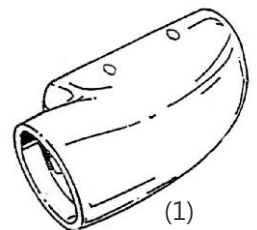
(1)
ENGINE/
BLOWER/
BLADE ASSY.



(2)
J6006
7" - 8"
HOSE CLAMPS



(1)
B1117
OUTER MOTOR
MOUNT TUBE



(1)
E1030
BOOT