

MODEL#: 37621228

MOWER NAME: SCAG TURF TIGER

MOWER MODEL: SEE BACK OF PAGE

MOWER DECK SIZE: (61" DECK)

VAC NAME: 12 CUBIC FOOT BOX

6.5 BRIGGS AND STRATTON VANGUARD

NOTE:

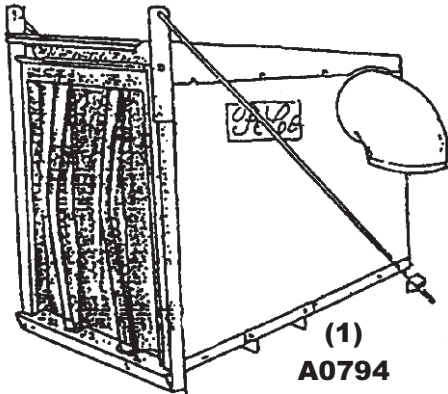


FOR YEAR: 2004-2002

REVISED: 12/20/11

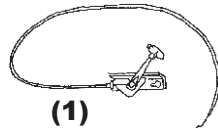
WAS

376212-TT-61-02

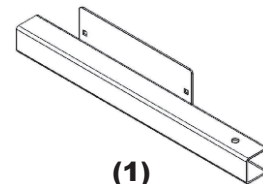


(1)
A0794
12 CU. FT.
BOX ASSY.

(1)
V1054
6" PLASTIC
INLET



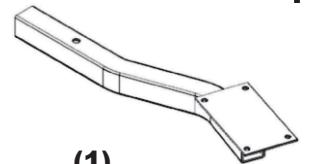
(1)
A0060
70" THROTTLE
KIT FOR (5.5 & 6.6HP)



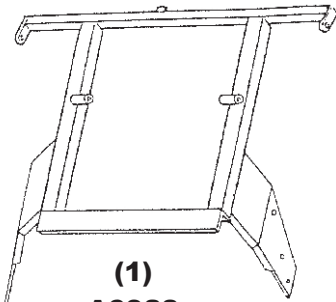
(1)
A0416
OUTER ENGINE
MOUNT ASSY.



(1)
#HB0137
HARDWARE
BAG



(1)
A0019
ENGINE MOUNT
ARM ASSY.

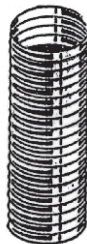


(1)
A0923
MAIN
FRAME
ASSY.

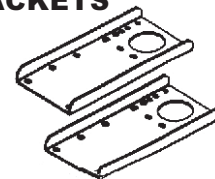
(1)
6" x 39"
UPPER
HOSE



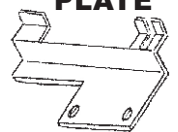
(1)
8" x 48"
LOWER
HOSE



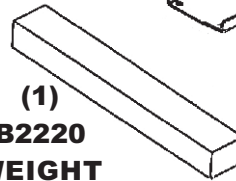
(2)
B0026
WEIGHT
BRACKETS



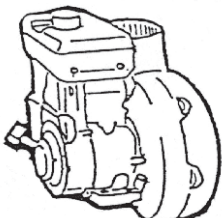
(1)
B1546
BOOT
PLATE



(1)
B2220
WEIGHT



(1)
A639
ENGINE/
BLOWER/
BLADE ASSY.



(1)
E6009
8" BLOWER
CONE

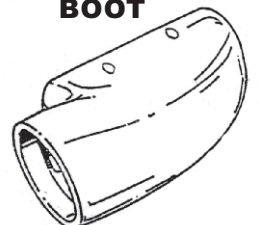


(2)
J0060
6" Hose
Clamps



(2)
J0080
8" Hose
Clamps

(1)
E1124
BOOT



2004

STT61A-27CH
STT61A-27KA

2003

STT61A-25CH
STT61A-27CH
STT61A-27KA

2002

STT61A-23KA
STT61A-25CH
STT61A-27KA

2001