

MODEL#: 37621227

MOWER NAME: SCAG TURF TIGER

MOWER MODEL: SEE BACK OF PAGE

MOWER DECK SIZE: (52" DECK)

VAC NAME: 12 CUBIC FOOT BOX

6.5 BRIGGS AND STRATTON VANGUARD

NOTE:

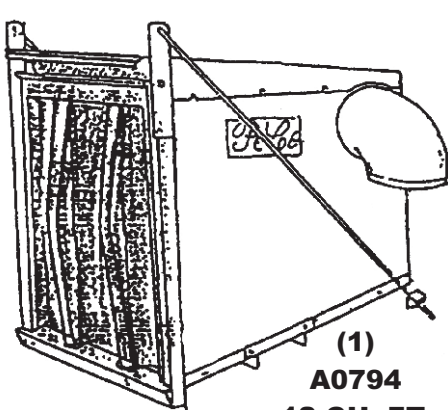


FOR YEAR: 2004-2002

REVISED: 12/20/11

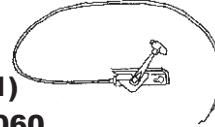
WAS

376212-TT-52-02



(1)
A0794
12 CU. FT.
BOX ASSY.

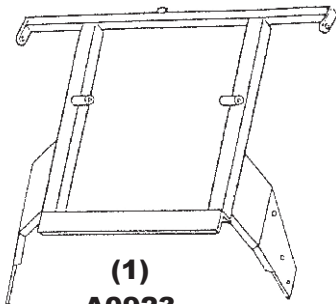
(1)
V1054
6"
PLASTIC
INLET



(1)
A0060
70" LONG THROTTLE
KIT FOR (5.5 & 6.5HP)



(1)
#HB0137
HARDWARE
BAG

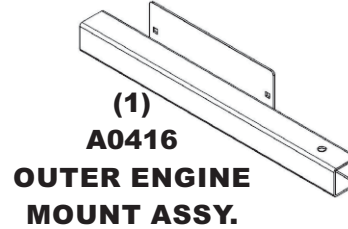


(1)
A0923
MAIN
FRAME
ASSY.

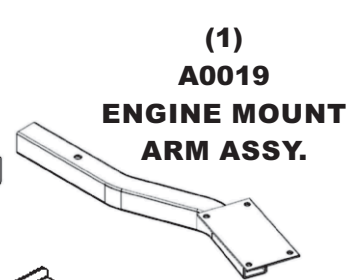
(1)
6" x 39"
UPPER
HOSE



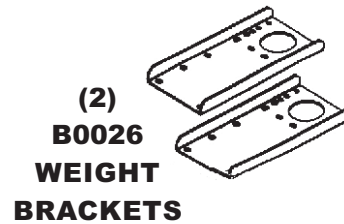
(1)
7" x 48"
LOWER
HOSE



(1)
A0416
OUTER ENGINE
MOUNT ASSY.



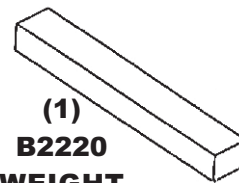
(1)
A0019
ENGINE MOUNT
ARM ASSY.



(2)
B0026
WEIGHT
BRACKETS

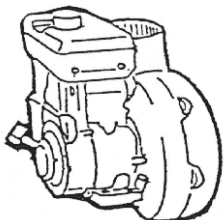


(1)
B1546
BOOT
PLATE



(1)
B2220
WEIGHT

(1)
A639
ENGINE/
BLOWER/
BLADE ASSY.



(1)
E6004
7" BLOWER
CONE



(2)
J0060
6" Hose
Clamps



(2)
J0070
7" Hose
Clamps



(1)
E1103
BOOT

2004

STT52A-23KA
STT52A-27CH

2003

STT52A-23KA
STT52A-25CH
STT52A-27CH

2002

STT52A-25CH

2001