

MODEL#: 21621214

MOWER NAME: CUB CADET

MOWER MODEL: THE TANK

MOWER DECK SIZE: (N/A SEE NOTE BELOW)

VAC NAME: 12 CUBIC FOOT BOX



6.5HP BRIGGS AND STRATTON VANGUARD



(OPTIONAL) ENGINE BUMPER GUARD

NOTE: AS OF 4-28-03 NO BOOT/BOOT PLATE AVAILABLE

NOTE: NO WEIGHT ASSEMBLY REQUIRED SEND WEIGHT BRACKETS ONLY (06/27/00)

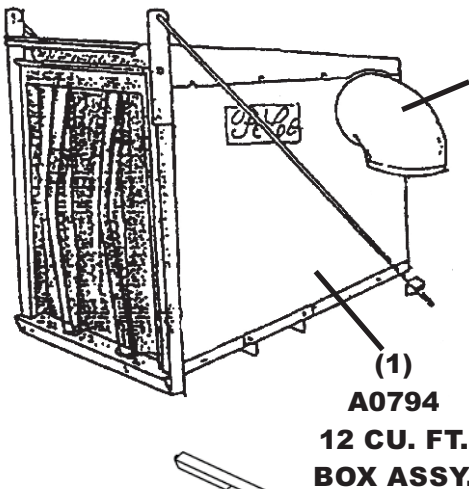


FOR YEAR: 2005-2001

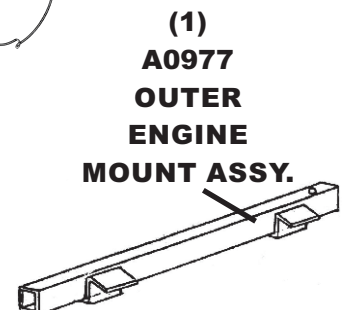
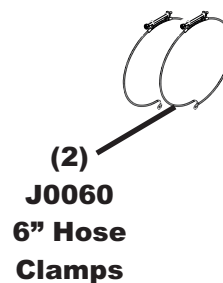
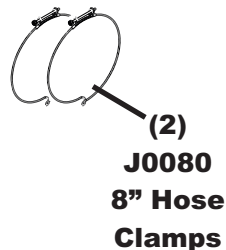
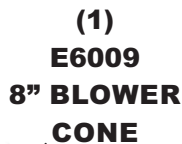
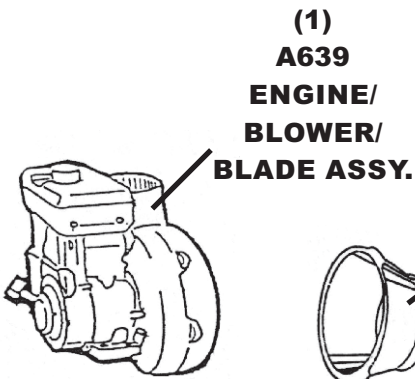
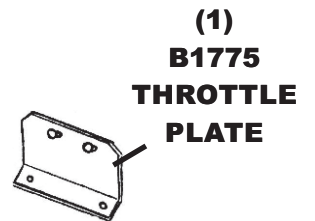
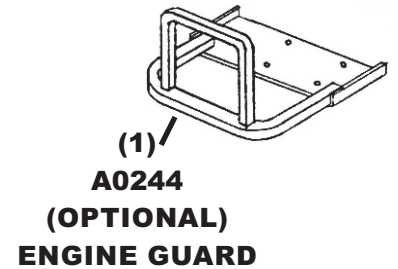
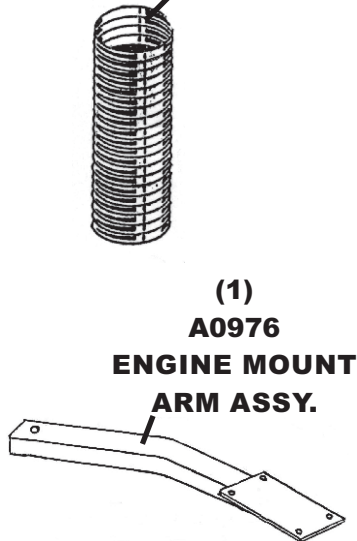
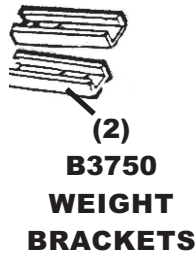
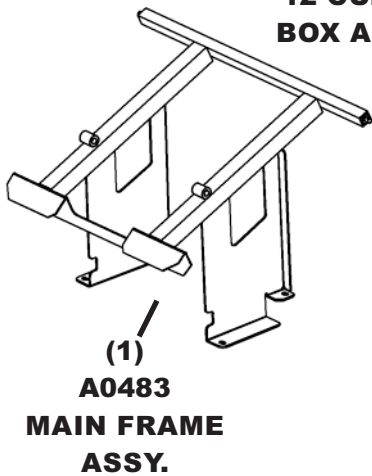
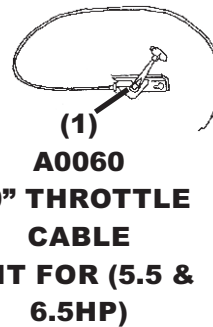
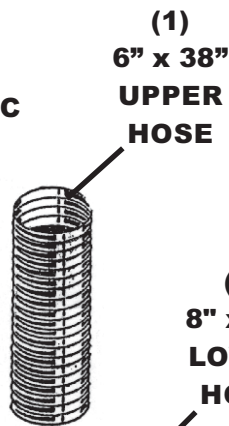
REVISED: 12/19/11

WAS

216212-03



(1)
V1054
6"
PLASTIC



2005-2004

M60-KW
M60-KH
M60-KH EFI
M60-KW LC
M60
M54-KW
M54-HN
M54-KH
M48-KW
M48-HN
M48-KHS

2003

M48H
M48KW
M54H
M54KW
M60KH
M60KW
M72

2002

M48S
M54
M60
M60KH

2001

M48
M54
M60