

MODEL 06621201 - 06

PECO

PECO OWNERS MANUAL

**FOR A JOHN DEERE MID-MOUNT UNIT
P# Q0200**



CONGRATULATIONS AND THANK YOU FOR BUYING THIS PECO LAWN VACUUM.

Your new PECO Vac has been engineered and manufactured to PECO's high standards for safety, quality, dependability, and ease of operations.

SAVE THIS MANUAL FOR FUTURE REFERENCE

PeCo Limited Warranty for New Products

A. WHAT IS WARRANTED?

PeCo extends the following warranties to the original purchaser of each new PeCo consumer product subject to the following limitations.

1. PRODUCT WARRANTY.

Any part of any consumer product, which is defective in material or workmanship as delivered to the purchaser will be repaired or replaced, as PeCo elects, without charge for parts or labor, if the defect appears within 12 months from the date of delivery of the product to the original purchaser. **ALL DEFECTIVE PARTS MUST BE RETURNED TO PeCo FOR INSPECTION TO DETERMINE VALIDITY OF WARRANTY CLAIMS.** Freight and mailing charges will be borne by the customer.

2. PARTS REPLACED DURING WARRANTY.

Any new PeCo part which is furnished in performance of this warranty and is defective in material or workmanship as delivered to the purchaser will be repaired or replaced, as PeCo elects, without charge if the defect appears within 90 days from the date of installation of such part or before the expiration of the original warranty period, whichever is later.

B. SECURING WARRANTY ADJUSTMENTS

Damaged or broken parts other than engines or batteries, must be returned to PeCo, Inc., P.O. Box 1197, Arden, NC 28704 before any warranty adjustment can be authorized. At the time of requesting warranty adjustment, the purchaser must present evidence of the date of delivery of the product. The purchaser shall pay any charge for transporting the product to and from Arden, NC.

C. ITEMS NOT COVERED BY PeCo WARRANTY.

Engines and batteries attached to PeCo products are covered under a separate warranty by the respective manufacturer.

D. UNAPPROVED ALTERATION OR MODIFICATION.

All obligations of PeCo, Inc. under this warranty shall be terminated if products are altered or modified in ways not approved by PeCo, Inc.

E. ACCIDENTS AND NORMAL MAINTENANCE.

The warranty covers only defective material and workmanship. It does not cover depreciation or damage caused by normal wear, accident, improper use or abuse of products. The cost of normal maintenance and normal replacement of service items such as belts, cutting blades, hoses, etc., which are not defective shall be paid for by the purchaser.

F. NO REPRESENTATIONS ADDITIONAL WARRANTIES, DISCLAIMER.

Neither PeCo, Inc. nor any company affiliated with it makes any warranties, representations or promises as to the quality of performance of its products other than those set forth herein. Except as described above, PeCo, Inc. makes no other warranties **AND SPECIFICALLY DISCLAIMS ANY AND ALL IMPLIED WARRANTIES OF FITNESS AND MERCHANTABILITY.**

G. ANY MACHINE USED FOR RENTAL OR COMMERCIAL PURPOSES ARE GUARANTEED FOR 45 DAYS FROM DATE OF ORIGINAL SALE ONLY.

H. REMEDIED EXCLUSIVE.

The only remedies the purchaser has in connection with the breach or performance of any warranty on PeCo, Inc. consumer products are set forth above. In no event will PeCo be liable for special incidental or consequential damages.

I. NO SERVICE CENTER WARRANTY.

The selling Service Center makes no warranty on his own on any item warranted by PeCo, Inc. unless he delivers to purchaser a separate written warranty certificate specifically warranting the item. The dealer has no authority to make any representation or promise on behalf of PeCo or to modify the terms of limitations of this warranty in any way.

Outdoor Power Equipment Institute Recommendations

WARNING TO PURCHASERS OF INTERNAL COMBUSTION ENGINE EQUIPPED MACHINERY OR DEVICES IN THE STATE OF CALIFORNIA:

The equipment which you have purchased does not have a spark arrester muffler. If this equipment is to be used on any forest covered and brush covered land or grass covered unimproved land in the state of California, the law requires that a spark arrester muffler be installed and be in effective working order. The spark arrester must be attached to the exhaust system and comply with Section 4442 of the California Public Resources Code.

1. Read the owner's manual carefully and familiarize yourself with the proper use of your attachment. Do not allow anyone who is not acquainted with the Safety Instructions to use your attachment.
2. Know the controls and how to stop quickly. **READ THE OWNER'S MANUAL!**
3. Do not allow children to operate the vehicle. Do not allow adults to operate it without proper instruction.
4. Be especially watchful of children and pets darting into the area while operating.
5. Keep your eyes and mind on your tractor while mowing or operating your attachment. Don't let others distract you.
6. Do not attempt to operate your tractor or mower when not in the driver's seat.
7. Always stop Vac engine when emptying the container.
8. Stop tractor and vac engines and remove spark plug wire before removing or replacing hose, boot, blower cone or performing any maintenance.
9. Mow up and down the face of slopes (not steeper than 10 degrees); never across the face of the slope.
10. It is recommended that the container be kept only half full when negotiating any slopes. Start mowing on slopes when the container is empty.
11. Inspect your lawn and remove any foreign objects before mowing. Never deliberately run mower across any foreign object.
12. Wear ear protection if noise level is offensive.

WARNING!

NEVER operate the mower unless the discharge guard and either the deflector assembly or the vacuum collector adapter are fastened securely in place.

WARNING!

To avoid serious injury, perform maintenance on the vacuum collector **ONLY AFTER STOPPING THE TRACTOR ENGINE AND WAITING FOR ALL MOVING PARTS TO COME TO A COMPLETE STOP.** Set the parking brake. Always remove the ignition key before beginning the maintenance

WARNING!

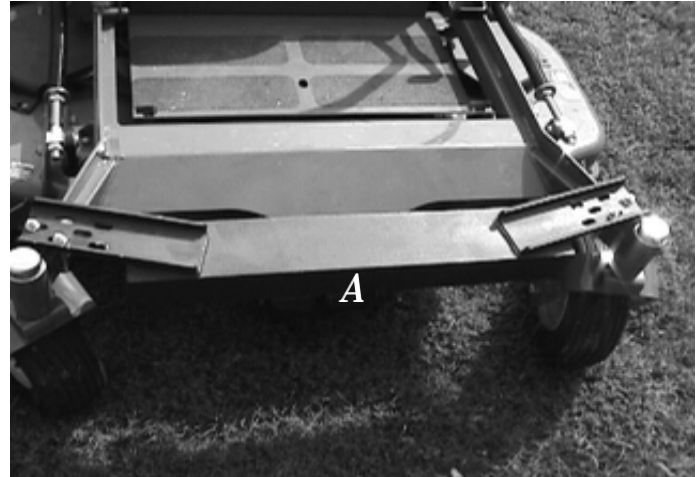
Do not work around the mower deck boot or the blower area until you are certain that the mower blades and the blower fan have stopped rotating.

WARNING!

For your personal safety, **ALWAYS** mow **UP** and **DOWN** the face of slopes and **NEVER** across the face. **NEVER** attempt to mow excessively steep slopes and use caution when turning on any slope.

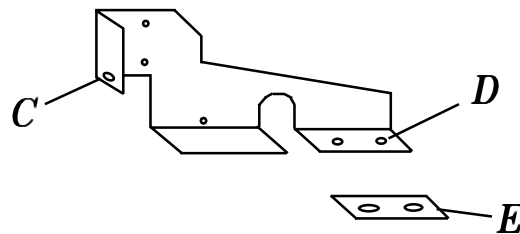
STEP 1:

TO INSTALL WEIGHT ASSEMBLY (A) BE SURE TO HAVE MORE THAN ONE PERSON TO LIFT INTO PLACE. USE (2) 3/8"-16 U-BOLTS (K1419) AND (4) 3/8"-16 FLANGE NUTS (K1215) TO FASTEN. USE PICTURES TO PLACE WEIGHT.



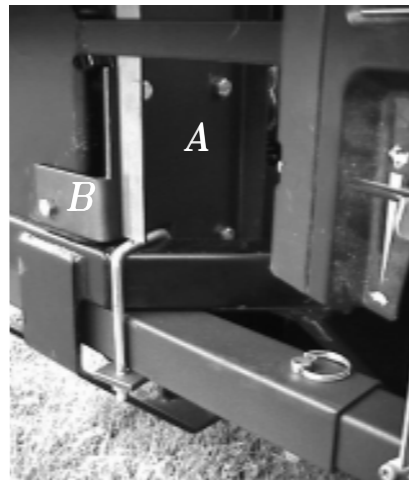
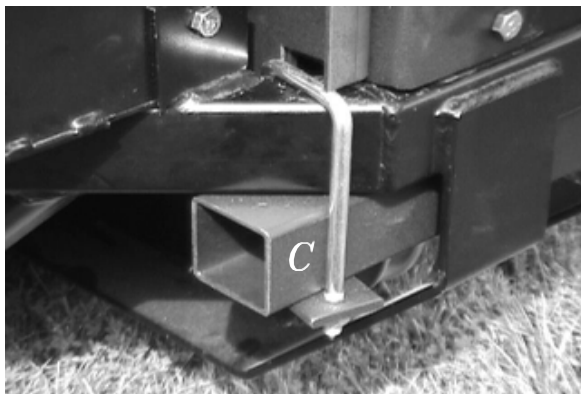
STEP 2:

FIRST REMOVE THE BATTERY (A) FROM THE REAR OF THE MOWER. NEXT REMOVE THE BOLTS (B) FROM THE MOWER. PLACE THE LOWER MAIN FRAME BRACES (C) ONTO THE MOWER AS SHOWN AND REPLACE THE REMOVED BOLTS WITH (2) 3/8" x 10 HEX BOLTS AND (2) 3/8" FLANGE NUTS. THE LOWER FRAME BRACES ALSO HAVE TO BE FASTENED IN THE FRONT OF THE BRACES (D). HERE USE (2) BRACKETS (E) TO GO UNDERNEATH THE MOWER AND BOLT TO THE BRACES BY USING (2) 3/8" x 1-1/4" HEX BOLTS AND (2) 3/8" FLANGE NUTS (PER SIDE).



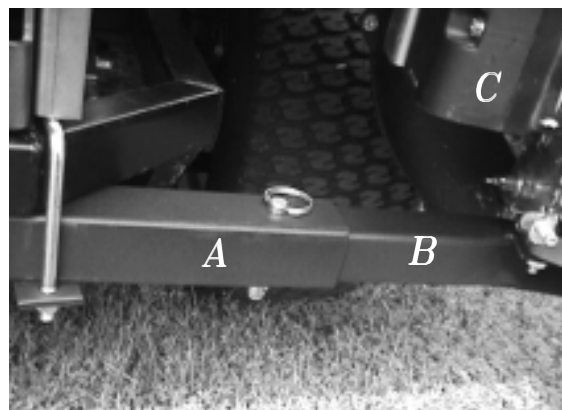
STEP 3:

BEFORE SLIDING ON THE MAIN FRAME REMOVE THE WIDE PLATE ON THE MOWERS MUFFLER PLATE. ONCE REMOVED SLIDE THE MAIN FRAME ONTO THE MOWER AND FASTEN THE MAIN FRAME (A) TO THE LOWER BRACES (B) BY USING (3) 3/8" x 1" HEX BOLTS AND (3) 3/8" FLANGE NUTS (PER SIDE). TO MOUNT THE OUTER ENGINE TUBE (C), SLIDE TUBE UNDER BUMPER OF THE MOWER AS SHOWN (BE SURE HOLE IS ON THE RIGHT HAND SIDE) AND USE (2) 3/8" x 2" x 5" U-BOLTS AND (4) 3/8" FLANGE NUTS TO FASTEN. USE PICTURE FOR MORE DETAIL.



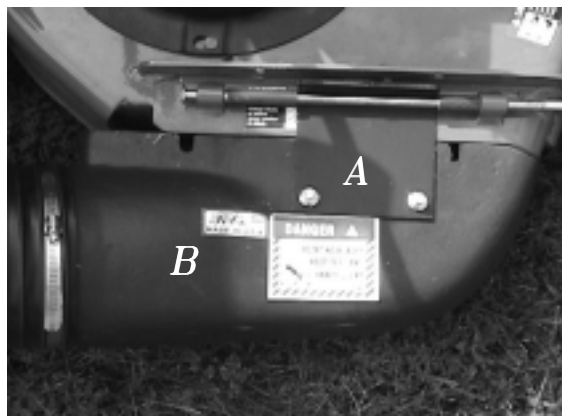
STEP 4:

ON THE RIGHT SIDE OF THE OUTER MOTOR MOUNT TUBE (A) SLIDE THE ENGINE MOUNT ARM (B) THROUGH AND FASTEN WITH (1) DETENT PIN (J0248). NEXT PLACE THE ENGINE (C) ONTO THE ENGINE MOUNT ARM (B) AND FASTEN USING (4) 5/16" -18 x 1-1/2" HEX BOLTS (K1157) AND (4) 5/16"-18 FLANGE NUTS (K1178).



STEP 5:

TO MOUNT THE BOOT PLATE (A) TO THE BOOT (B) USE (2) 3/8"-16 x 1" CARRIAGE BOLTS (K1182) AND (2) 3/8"-16 FLANGE NUTS (K1178). BE SURE WHEN BOLTING TOGETHER THAT THE HEAD OF THE BOLT IS INSIDE THE BOOT. ONCE BOOT & BOOT PLATE ARE FASTENED HANG BOOT TO MOWER AS SHOWN.

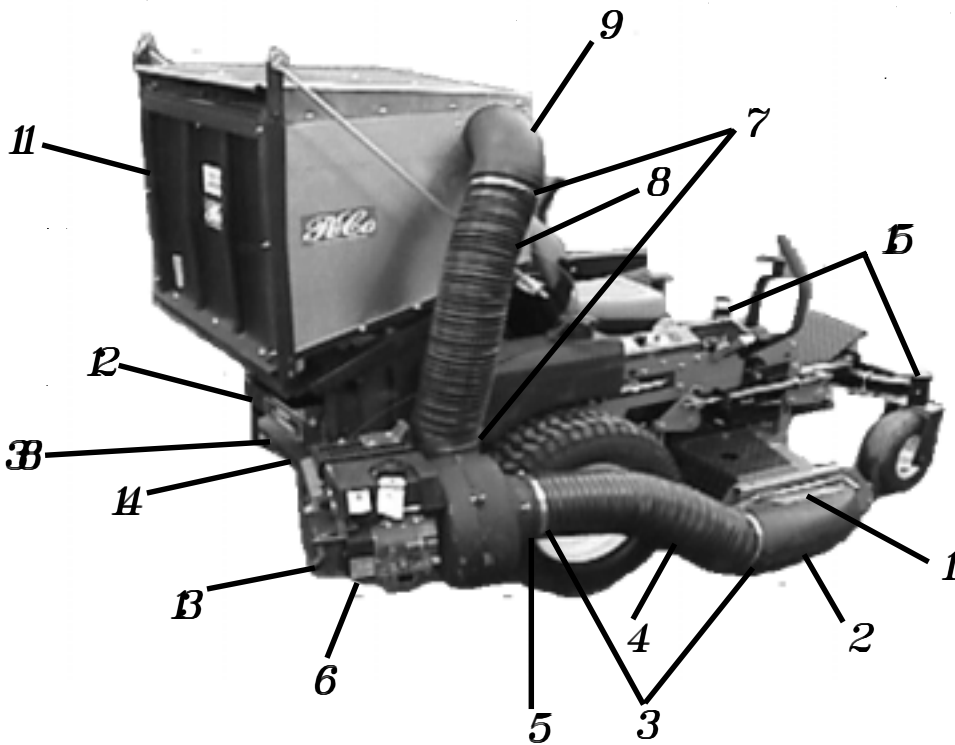
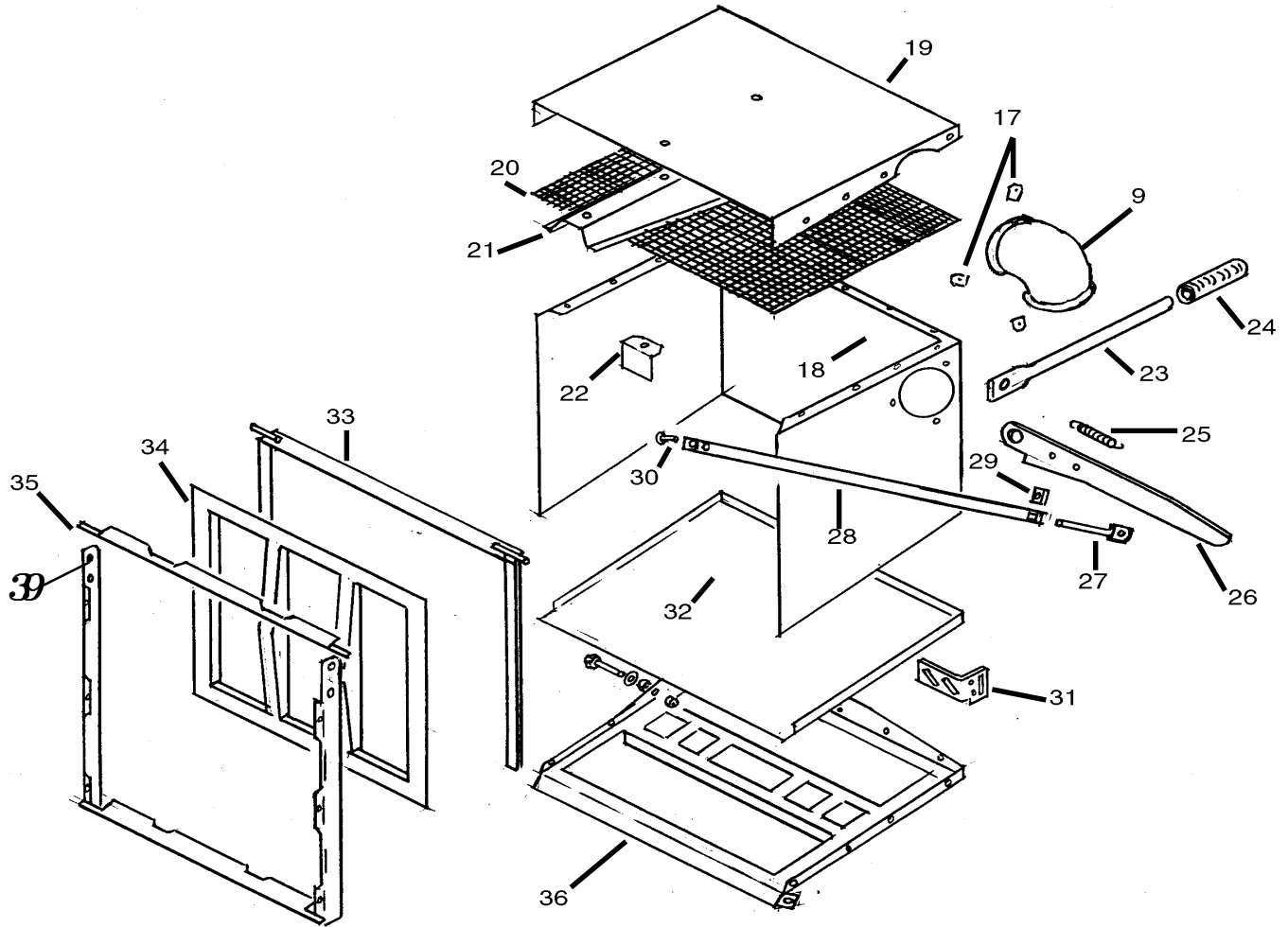


PARTS LIST



REF. NO.	PART NO.	DESCRIPTION	QTY.
1	B2555	BOOT PLATE (52" DECK)	1
	B1610	BOOT PLATE (60" DECK)	
2	E1103	BOOT (52" DECK)	1
	E1113	BOOT (60" DECK)	
3	J6006	7"-8" HOSE CLAMPS	2
4	*****	7" x 40" LOWER HOSE	1
5	E6004	7" BLOWER CONE	1
6	*****	ENGINE/BLOWER/BLADE ASSEMBLY	1
	E4052A	BLOWER HOUSING	
	D1016	6HP KOHLER ENGINE	
	A0914	4 BLADE IMPELLER W/ S4302 BUSHING W/ 1" SHAFT	
	D4002	5HP BRIGGS & STRATTON ENGINE	
	A0645	4 BLADE IMPELLER W/ S4311 BUSHING W/ 3/4" SHAFT	
7	J6011	5"-6" HOSE CLAMPS	2
8	*****	6" x 32" UPPER HOSE	1
9	V1054	INLET	1
10	HB0014	HARDWARE BAG	1
11	A0794	12 CUBIC FOOT BOX ASSEMBLY	1
12	A0011	MAIN FRAME ASSEMBLY	1
13	A0942	ENGINE MOUNT ARM ASSEMBLY	1
14	B1117	OUTER ENGINE MOUNT TUBE	1
15	A0931	WEIGHT ASSEMBLY	1
17	B1668	INLET CLAMP	3
18	C0023	ALUMINUM BOX BACK & SIDES	1
19	C0025	ALUMINUM BOX TOP	1
20	B8113	SCREEN	1
21	C0029	SCREEN SUPPORT	1
22	C1184	FILL GAUGE	1
23	B3379	DUMP HANDLE	1
24	J0522	HANDLE GRIP	1
25	J0176	LATCH SPRING	1
26	B2213	LATCH ROD	1
27	A0973	ADJUSTING SCREW ASSEMBLY	2
28	B2526	LINKAGE ROD	2
29	K1422	ADJUSTING NUT	2
30	K1418	LINKAGE PIN	2
31	B3388	LATCH BRACKET	1
32	C0024	ALUMINUM BOX BOTTOM	1
33	A0938	BOX / DOOR FRAME ASSEMBLY	1
34	V1131	PLASTIC DOOR	1
35	B3688	UPPER DOOR MEMBER	1
36	B3387	BOX SUPPORT / HINGE ASSEMBLY	1
37	B2583	ENGINE MOUNT BRACKETS	4
38	B2580	LOWER MAIN FRAME BRACES	2
39	A0738	DOOR FRAME ASSEMBLY	1

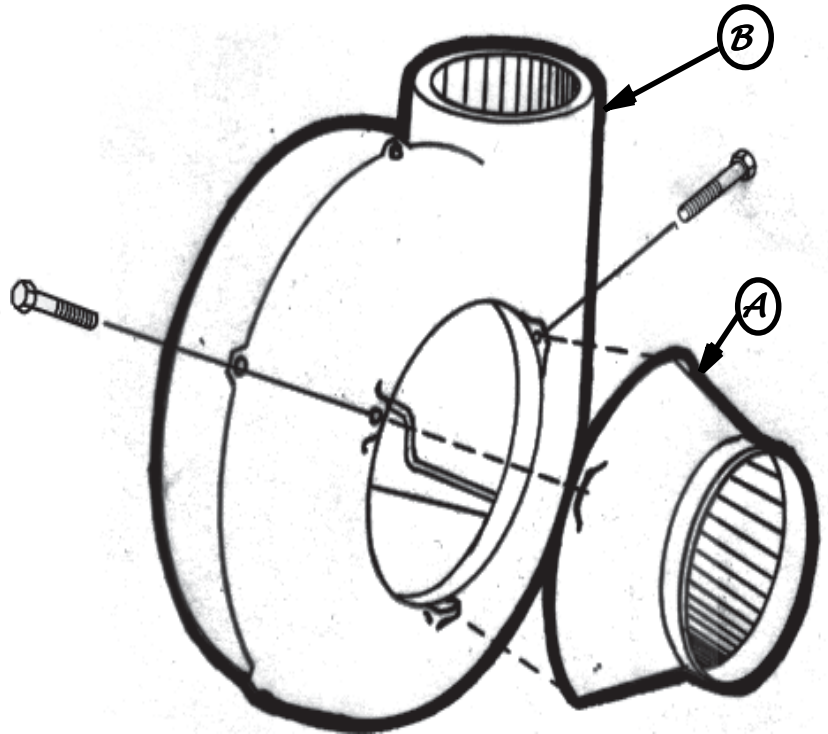
PARTS DIAGRAM



STEP 6:

THE EARS OF THE CONE (A) SHOULD FIT UNDERNEATH TWO THREADED BOSSES ON THE BLOWER FACE (B). SECURE WITH (2) 5/16"-18 x 2" HEX BOLTS (#K1159).

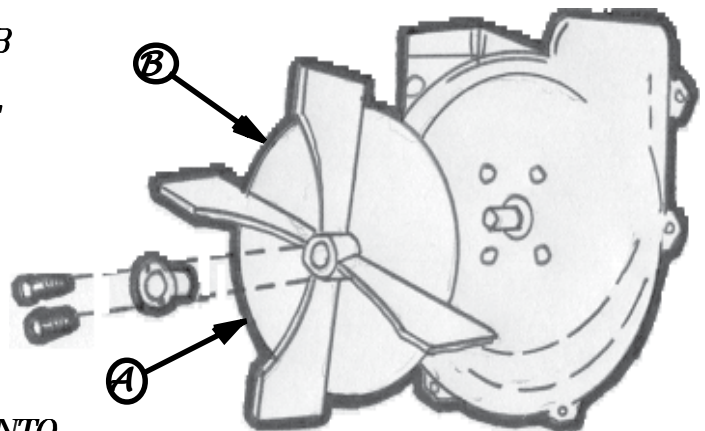
TIGHTEN ALL NUTS AND BOLTS!



IMPELLER BLADE REPLACEMENT

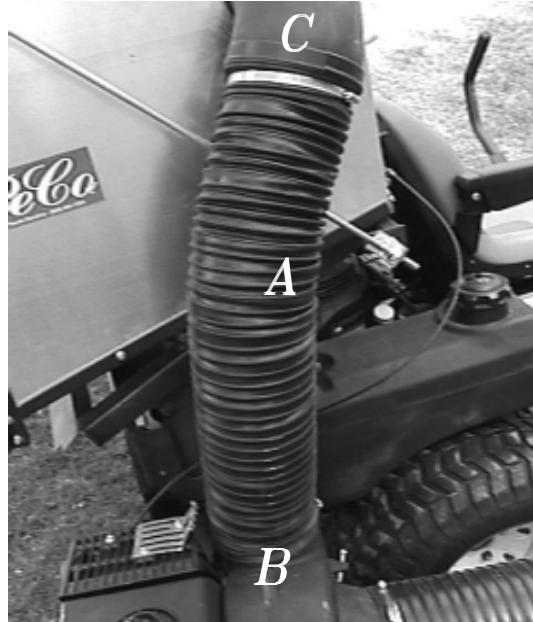
TO REMOVE: REMOVE HEX BOLTS FROM HUB THEN SCREW THE BOLTS INTO THREADED HOLES TO REMOVE OLD BLADE. (THIS WILL PUSH IMPELLER OFF THE HUB.) IF THE IMPELLER IS STUCK ON HIT THE BASE OF THE IMPELLER BETWEEN EACH VEIN WITH A HAMMER THEN TRY THE BOLTS AGAIN.

TO REPLACE: PLACE TAPERED BUSHING (A) INTO HUB (B) AND ALIGN NON-THREADED HOLES IN THE HUB. SECURE WITH (2) 1/4" x 10" HEX BOLTS. TORQUE TO 15 FT. LBS.



STEP 7:

PLACE CLAMPS OVER EACH END OF THE 6JI HOSE (A). ATTACH ONE END OF THE HOSE ONTO THE BLOWER HOUSING (B). ATTACH FREE END OF HOSE OVER INLET (C). TIGHTEN CLAMPS.



STEP 8:

PLACE CLAMP OVER EACH END OF THE LOWER HOSE (D). ATTACH ONE END OF HOSE OVER THE BLOWER CONE (E). SLIDE FREE END OF HOSE OVER BOOT (F) AND TIGHTEN CLAMPS.



TIGHTEN CLAMPS BEFORE EACH USE!



Your Lawn Vac was designed and built to provide years of service with only minor care. Certain tasks however must be performed to keep it in good operating condition and to avoid costly repairs. This section describes and provides procedures for the necessary care of the Lawn Vac.

SCHEDULED CARE	CARE REQUIRED
Before Each Use	Check engine oil. Check all hose connections.
After Each Use	Clean Collector Box, hoses and engine of all grass and dirt.
Every 10 Hours	Check to be sure all screws, nuts, bolts, pins, etc. are present and secure.

Storage

Never store your Lawn Vac with a full or partially filled container; decaying grass and leaves may constitute a fire hazard if left too long. Never leave your vac exposed to the elements. While the metal parts are protected with a quality paint, the engine and other unprotected parts may deteriorate if left exposed to rain or snow.

Emptying The Lawn Vac

When the collector becomes full, the blower tone will change. In order to empty the container - Release the back door by moving the dump handle on the left hand side of the container. Release the door, push back on the container and the debris falls out. When empty, pull the box forward; move the dump handle in to properly close the rear door.

Service

PeCo Lawn Vac Owners should record the name and telephone number of their Service Center. Your Service Center will be happy to supply replacement parts, accessories and do any service or repairs to your lawn vac. If for some reason your Service Center is unable to service your lawn vac or supply replacement parts, contact PeCo and include the following information:

Tractor Model: _____	Year of Mfg. _____

Deck Size: _____	
PeCo Vac Model: _____	
Vac Serial Number: _____	
Date of Purchase: ____ / ____ / ____	
Service Center's Name: _____	
Service Center's City: _____	State: _____ Zip: _____
Service Center's Phone Number: _____	

Diagnostic Procedures

Trouble shooting procedures are provided in the chart below. To use these procedures, first locate the problem description that best describes the trouble that you have encountered. Check the possible causes one at a time in the list. Correct any problems that are found and operate the vacuum collector again to verify that you have eliminated the problem. **DO NOT** attempt any major repairs without first contacting your dealer.

PROBLEM	CAUSE	SOLUTION
Leaves and Grass not being picked up completely.	<ol style="list-style-type: none">1. Engine speed too slow2. Ground speed too fast.3. Hose plugged.	<ol style="list-style-type: none">A. Run at full throttle.B. Use lower gearC. Check and tighten all hoses.D. Unplug hose.
Hoses plug easily.	<ol style="list-style-type: none">1. Grass or leaves too wet.2. Grass too high.3. Container full.4. Grass buildup in boot or under mower deck.	<ol style="list-style-type: none">A. Wait for drier conditions.B. Reduce ground speed/raise deckC. Empty containerD. Clean thoroughly.
Vacuum Collector blower vibrates excessively.	<ol style="list-style-type: none">1. Buildup on blower blades.2. Bent or chipped blade.	<ol style="list-style-type: none">A. Remove cone and clean blades.B. Contact your dealer or PeCo.
Unit fails to fill box.	<ol style="list-style-type: none">1. Engine speed too slow.2. Buildup on inlet or screen3. Grass is too wet or long.	<ol style="list-style-type: none">A. Run at full throttle.B. Clean thoroughly.C. Wait for dryer conditions.

The Serial Number Plate is located on the aluminum box near the dump handle.

OUTDOOR POWER EQUIPMENT	
Model Number	<input type="text"/>
Serial Number	<input type="text"/>
Arden, North Carolina 28704	



*P.O BOX 1197
ARDEN, NORTH CAROLINA 28704
1-800-438-5823 OR (828) 684-1234 FAX-(828) 684-0858
E-MAIL: PECO@IOA.COM*