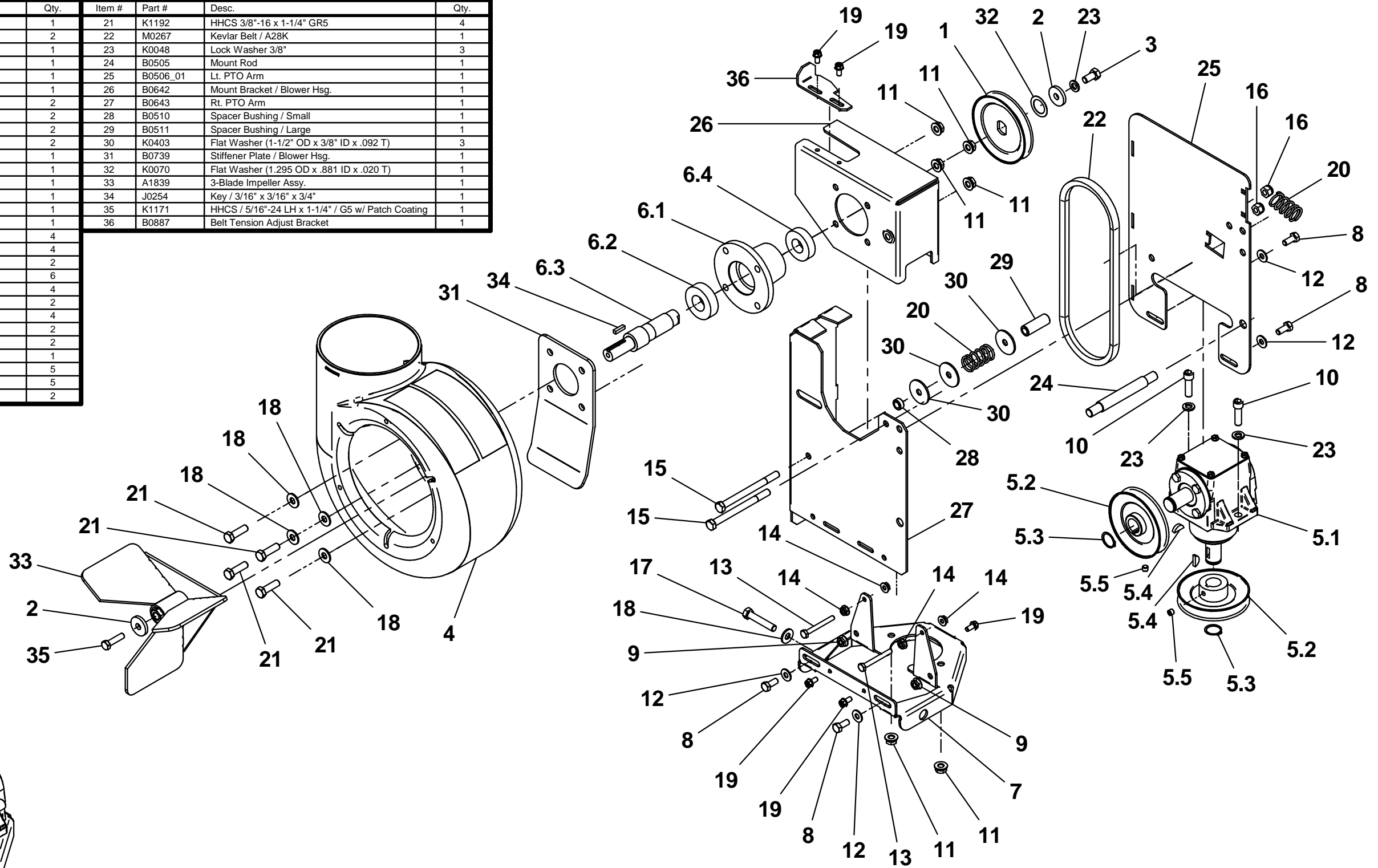
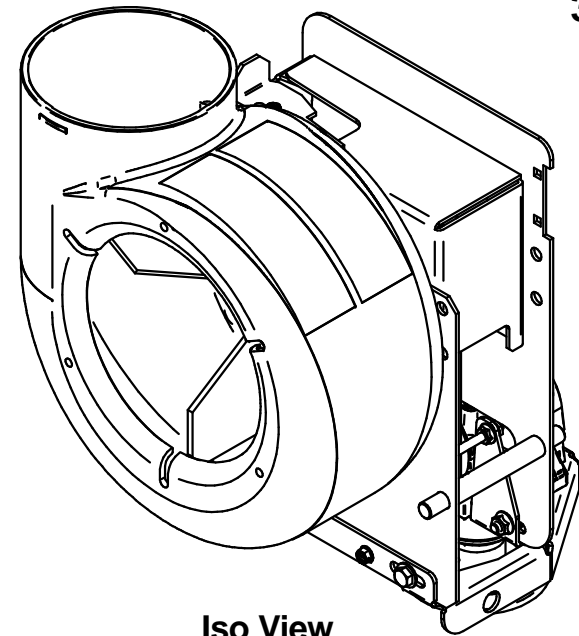


Item #	Part #	Desc.	Qty.	Item #	Part #	Desc.	Qty.
1	M0266	A-Section Pulley / 4.25 OD	1	21	K1192	HHCS 3/8"-16 x 1-1/4" GR5	4
2	K1446	PTO Housing Washer	2	22	M0267	Kevlar Belt / A28K	1
3	K1190	HHCS / 3/8"-16 x 3/4"	1	23	K0048	Lock Washer 3/8"	3
4	V0015	Blower Hsg.	1	24	B0505	Mount Rod	1
5	A0429	Gear Box Assy.	1	25	B0506_01	Lt. PTO Arm	1
5.1	A0431	Gearbox	1	26	B0642	Mount Bracket / Blower Hsg.	1
5.2	A0498	Pulley Assy. / Gear Box	2	27	B0643	Rt. PTO Arm	1
5.3	K0360	Snap Ring / 7/8" Shaft	2	28	B0510	Spacer Bushing / Small	1
5.4	J0272	Woodruff Key #9	2	29	B0511	Spacer Bushing / Large	1
5.5	K0035	Set Screw 5/16"-18 x 1/4" Cup Point	2	30	K0403	Flat Washer (1-1/2" OD x 3/8" ID x .092 T)	3
6	A1004	PTO Shaft Assy.	1	31	B0739	Stiffener Plate / Blower Hsg.	1
6.1	E0015	Housing / PTO Shaft	1	32	K0070	Flat Washer (1.295 OD x .881 ID x .020 T)	1
6.2	N0147	Bearing (2.0472 OD, 0.9843 ID, 0.5906 W)	1	33	A1839	3-Blade Impeller Assy.	1
6.3	B0460	PTO Shaft	1	34	J0254	Key / 3/16" x 3/16" x 3/4"	1
6.4	N0165	Bearing (1.875 OD, .875 ID, .500 W)	1	35	K1171	HHCS / 5/16"-24 LH x 1-1/4" / G5 w/ Patch Coating	1
7	A1003	PTO Base Plate Assy.	1	36	B0887	Belt Tension Adjust Bracket	1
8	K1153	HHCS 5/16"-18 x 3/4"	4				
9	K1178	Flange Nut 5/16"-18	4				
10	K0309	3/8"-16 x 1-1/4" SHCS	2				
11	K1215	Flange Nut 3/8"-16	6				
12	K0037	Flat Washer / 1/4" (.75 OD x .312 ID x .060 T)	4				
13	K1150	HHCS / 1/4"-20 x 2-1/4"	2				
14	K1126	Flange Nut 1/4"-20	4				
15	K1202	HHCS / 3/8"-16 x 4-1/2" / G5	2				
16	K1216	Nyloc Nut / 3/8"-16	2				
17	K0348	HHCS / 3/8"-16 x 2" All Thread	1				
18	K0042	Flat Washer 5/16" / .875 OD x .380 ID x .075 T	5				
19	K0353	HWHTCS 1/4"-20 x 1/2"	5				
20	J0303	Spring	2				



For Reference Only

#: A2194  
Desc: PTO-R Assy. / Base