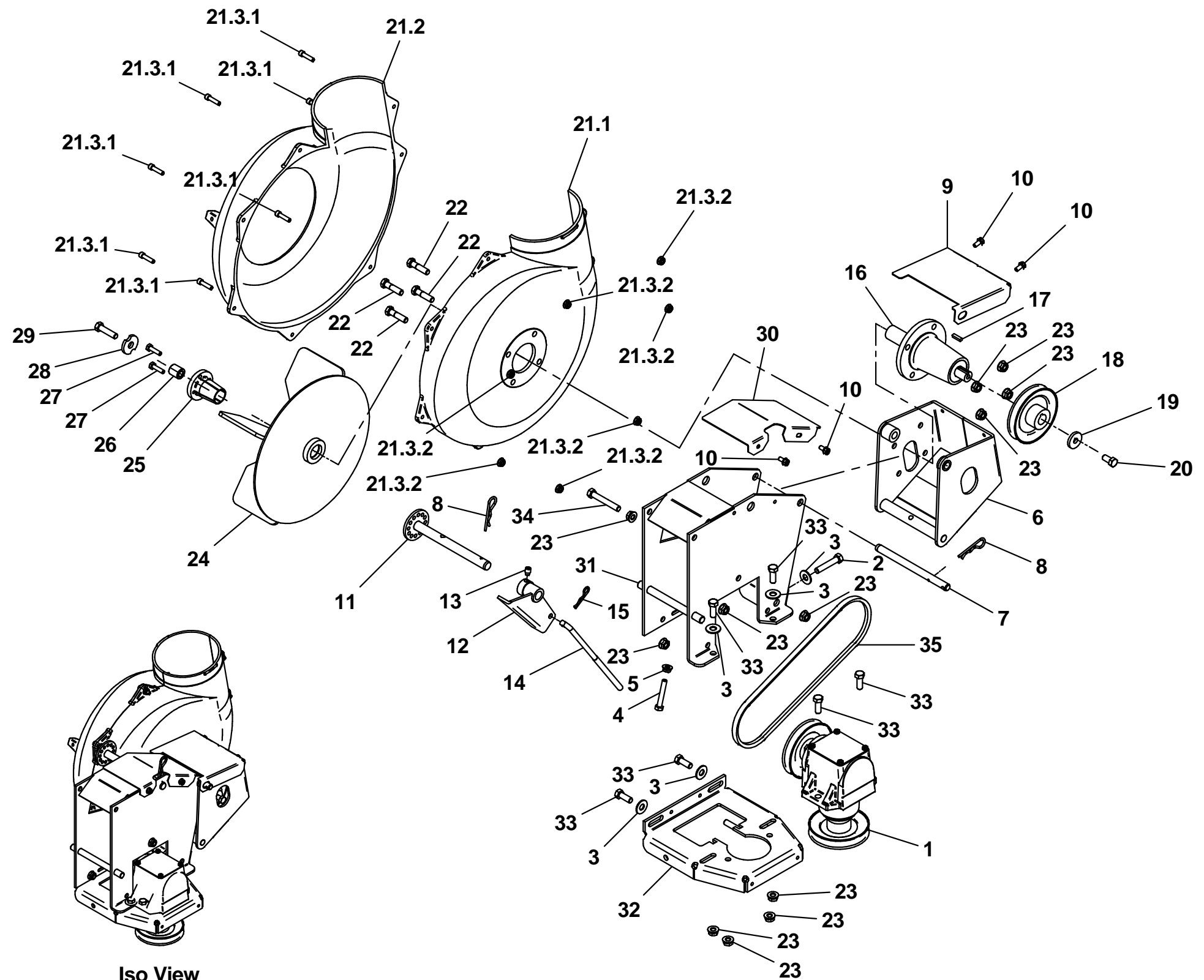


Item #	Part #	Desc.	Qty.
1	A0429	Gear Box Assy.	1
2	K0348	HHCS / 3/8"-16 x 2" All Thread	1
3	K0047	Flat Washer 3/8" / 1.00 OD x .446 ID x .075 T	5
4	K1159	5/16"-18 x 2" All Thread HHCS	1
5	K1178	Flange Nut 5/16"-18	1
6	A0144	Blower Mnt. Brkt. Assy.	1
7	B1755	BLOWER PIVOT ROD	1
8	K0086	Hair Pin Clip .125 OD x 2.50	2
9	B0121	Blower Belt Guard	1
10	K0353	HWHTCS 1/4"-20 x 1/2"	4
11	A0604	PTO HANDLE MOUNT ASSY	1
12	A0422	CAM BRACKET ASSEMBLY	1
13	K0356	3/8"-16 TAPERED SET SCREW	1
14	K0326	BELT TENSION ROD 3/8"-16	1
15	K0130	.091 OD x 1.625 L HAIR PIN CLIP	1
16	A0306	PTO Shaft Assy.	1
17	J0254	Key / 3/16" x 3/16" x 3/4"	1
18	M0228	Pulley / Impeller Shaft	1
19	K1446	PTO Housing Washer	1
20	K1190	HHCS / 3/8"-16 x 3/4"	1
21	E4004A	BLOWER HSG. ASSY.	1
21.1	E4004B	BLOWER HSG. BACK	1
21.2	E4004F	BLOWER HSG. FRONT	1
21.3	HB0462	HW Bag / E4004A & E4052A Housings	1
21.3.1	K1401	1/4"-20 x 1" SHCS / Zinc / GR8	7
21.3.2	K1126	Flange Nut 1/4"-20	7
22	K1193	HHCS 3/8"-16 X 1-1/2" GR5	4
23	K1215	Flange Nut 3/8"-16	12
24	A0645	4-Blade Impeller Weldment	1
25	S4302	Taper-Lock Bushing / 1" Shaft	1
26	S3242	Spacer Bushing / .750 ID x .380 ID x .830 L	1
27	K1225	HHCS 1/4"-20 X 1" GR8	2
28	K0278	Double Indented Washer 7/16" / 1.375 OD x .440 ID x .179 T	1
29	K1211	3/8"-16 x 1-1/2" HHCS GR8	1
30	B0270	PTO Arm Guard	1
31	A1804	PTO Arm Assembly	1
32	A0624	BASE PLATE ASSY.	1
33	K1191	HHCS 3/8"-16 x 1" GR5	6
34	K1197	3/8"-16 X 2 1/2" HHCS	1
35	M0250	A30K KEVLAR BELT	1



Iso View

For Reference Only

#: A1941

Desc: PTO Assy / Generic

